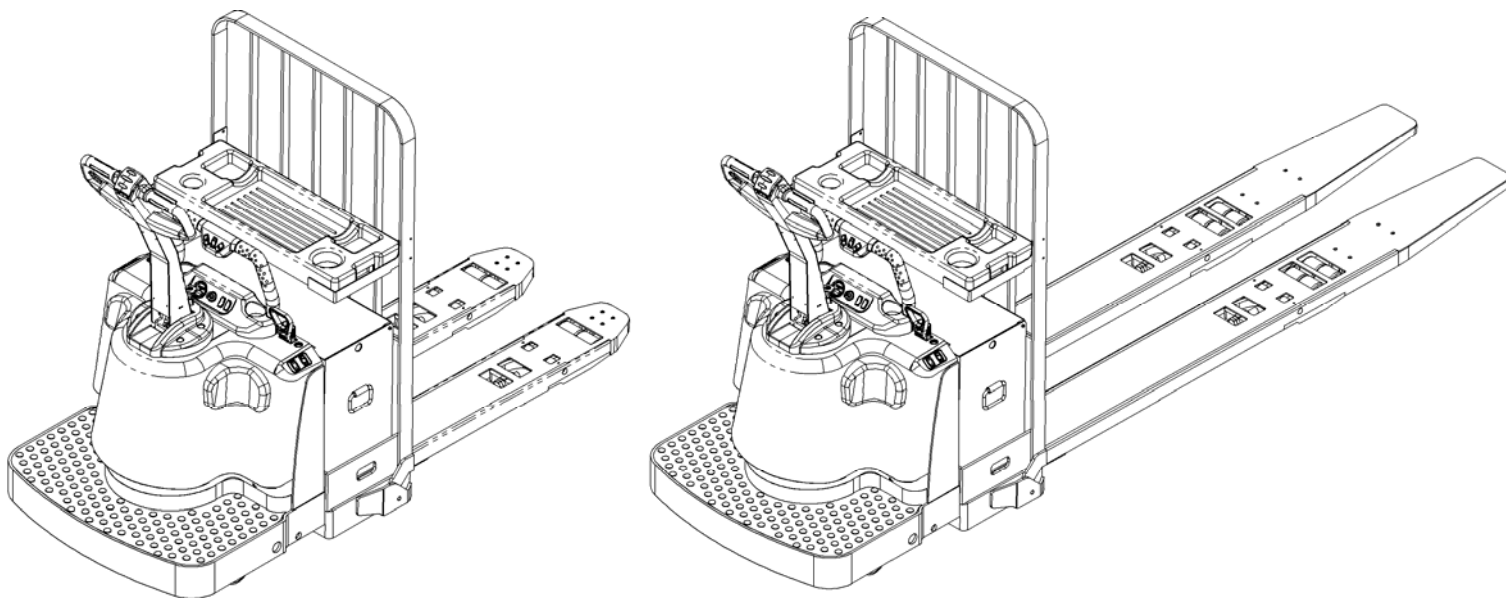


# INSTRUCTION HANDBOOK

## Electric Pallet Truck



### **WARNING**

**Do not use the pallet truck before reading and understanding these operating instructions.**

### **NOTE:**

- **Please check the designation of your present type at the last page of this document as well as on the ID-plate.**
- **Keep for future reference.**

Version 05/2014

PT 27R PT 36R-SMS-001



## FOREWORD

Before operating the truck, read this ORIGINAL INSTRUCTION HANDBOOK carefully and understand the usage of the truck completely. Improper operation could create danger.

This handbook describes the usage of different electric pallet trucks. When operating and servicing the truck, make sure, that it applies to your type.

Keep this handbook for future reference. If this or the warning/ caution labels are damaged or got lost, please contact your local dealer for replacement.

This truck complies with the requirements according to EN 3691-1; -5 (Industrial trucks- safety requirements and verification, part 1; part 5), EN 12895 (Industrial trucks- electromagnetic compatibility), EN 12053 (Safety of industrial trucks- test methods for measuring noise emissions), EN 1175 (Industrial truck safety – electrical requirements), assumed the truck is used according to the described purpose.

The noise level for this machine is 69 dB(A) according to EN 12053.

The vibration is 0.88 m/s<sup>2</sup> according to EN 13059.

### ATTENTION:

- Environmentally hazardous waste, such as batteries, oil and electronics, will have a negative effect on the environment, or health, if handled incorrectly.
- The waste packages should be sorted and put into solid dustbins according to the materials and be collected disposal by local special environment protection bureau. To avoid pollution, it's forbidden to throw away the wastes randomly.
- To avoid leaking during the use of the products, the user should prepare some absorbable materials (scraps of wooden or dry duster cloth) to absorb the leaking oil in time. To avoid second pollution to the environment, the used absorbable materials should be handed in to special departments in terms of local authorities.
- Our products are subject to ongoing developments. Because this handbook is only for the purpose of operating /servicing the pallet truck, therefore please have understanding, that there is no guarantee out of particular features out of this handbook.



**NOTE: On this manual, the left sign means warning and danger, which can lead to death or serious injury if not followed.**

### Copyright

The copyright remains with the company, mentioned on the CE- certificate at the end of this document or, if sold within the USA, with the company, mentioned on the company sticker.



# TABLE OF CONTENTS

1. CORRECT APPLICATION .....	5
2. DESCRIPTION OF THE PALLET TRUCK .....	6
a. Overview of the main components .....	6
b. Main technical data .....	8
c. Description of the safety devices and warning labels.....	9
d. Identification plate .....	11
3. WARNINGS, RESIDUAL RISK AND SAFETY INSTRUCTIONS .....	12
4. COMMISSIONING, TRANSPORTING, DECOMMISSIONING .....	12
a. Commissioning .....	12
b. Lifting/ transportation.....	13
c. Decommissioning.....	14
5. DAILY INSPECTION .....	14
6. OPERATING INSTRUCTIONS .....	15
a. Parking.....	15
b. Lifting .....	15
c. Lowering .....	15
d. Travelling .....	15
e. Steering.....	16
f. Braking.....	16
g. Malfunctions.....	17
h. Emergency.....	17
7. BATTERY CHARGING AND REPLACEMENT .....	17
a. Replacement.....	18
b. Battery indicator .....	19
c. Charging .....	19
8. REGULAR MAINTENANCE.....	19
a. Maintenance checklist.....	20
b. Lubricating points .....	21
c. Check and refill hydraulic oil .....	22
d. Checking electrical fuses .....	22
9. TROUBLE SHOOTING .....	23
10. WIRING/ CIRCUIT DIAGRAM.....	24
a. Electrical circuit diagram .....	24
b. Hydraulic circuit.....	26
11. DECLARATION OF CONFORMITY (valid, if sold within the EU).....	27

# 1. CORRECT APPLICATION

It is only allowed to use this electric pallet truck according to this instruction handbook.

The trucks described in this handbook are self propelled electric power pallet trucks, with electrically powered low height lifting function. The trucks are designed to lift, lower and transport palletized loads.

A wrong usage can cause human injuries or can damage equipment.

The operator/ the operating company has to ensure the correct usage and has to ensure, that this pallet truck is used only by staff, which is trained and authorized to use this truck.

The pallet truck has to be used on substantially firm, smooth, prepared, level and adequate surfaces. The truck is intended to be used for indoor applications with ambient temperatures between +5°C and +40°C and for various of transporting applications without crossing permanent obstacles or potholes. Operating on ramps is not allowed. While operating, the load must be placed approximately on the longitudinal centre plane of the truck.

Lifting or transporting people is forbidden.

If used on tail lifts or loading ramps, please ensure that these are used correctly according to the operating instructions.

The capacity is marked on capacity sticker as well on the Identification plate. The operator has to consider the warnings and safety instructions.

Operating lighting must be minimum 50 Lux.

## Modification

No modifications or alterations to this pallet truck which may affect, for example, capacity, stability or safety requirements of the truck, shall be made without the prior written approval of the original truck manufacturer, its authorized representative, or a successor thereof. This includes changes affecting, for example braking, steering, visibility and the addition of removable attachments. When the manufacturer or its successor approve a modification or alteration, they shall also make and approve appropriate changes to capacity plate, decals, tags and operation and maintenance handbooks.

By not observing these instructions, the warranty becomes void.

## 2. DESCRIPTION OF THE PALLET TRUCK

### a. Overview of the main components

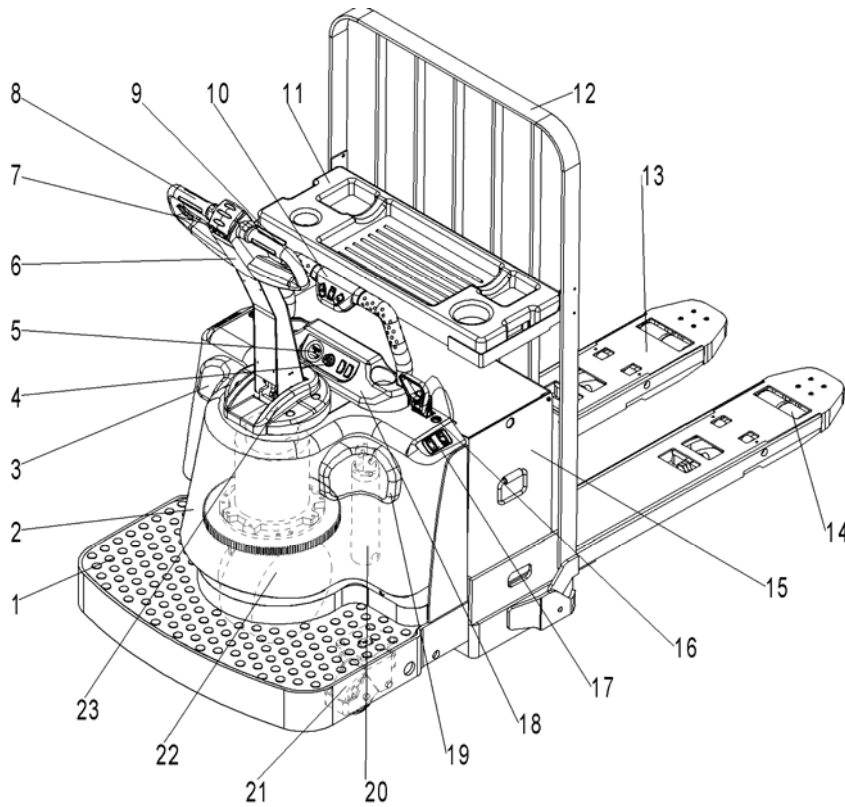


Fig. 1: Overview main components PT 27R

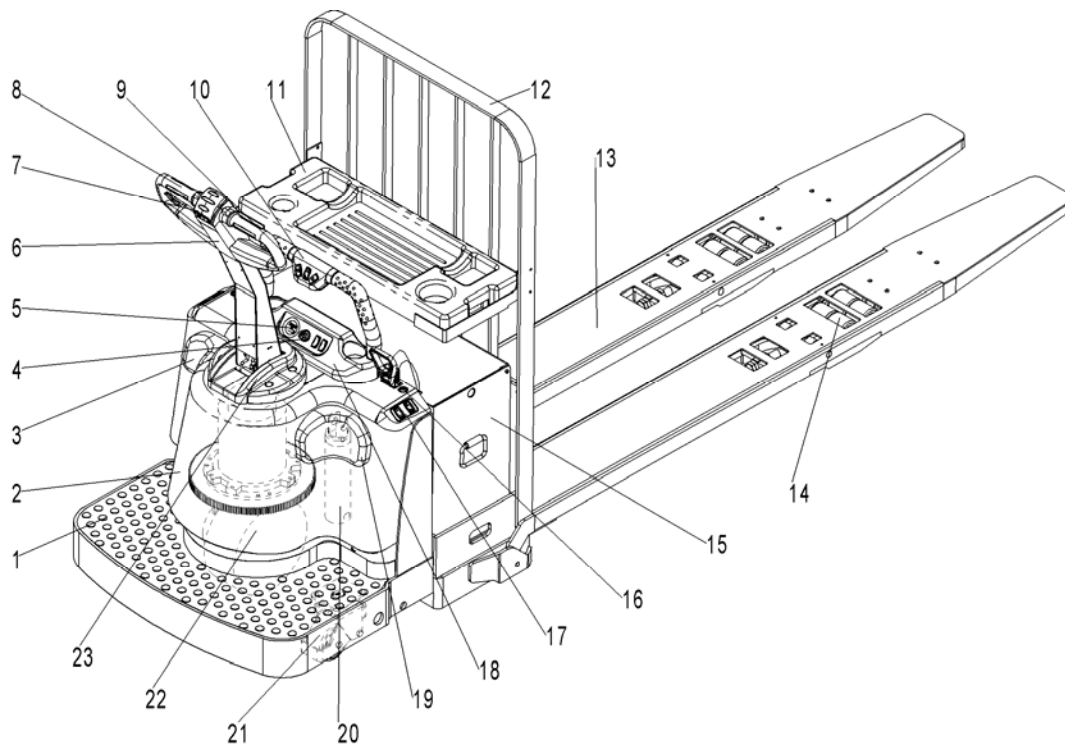
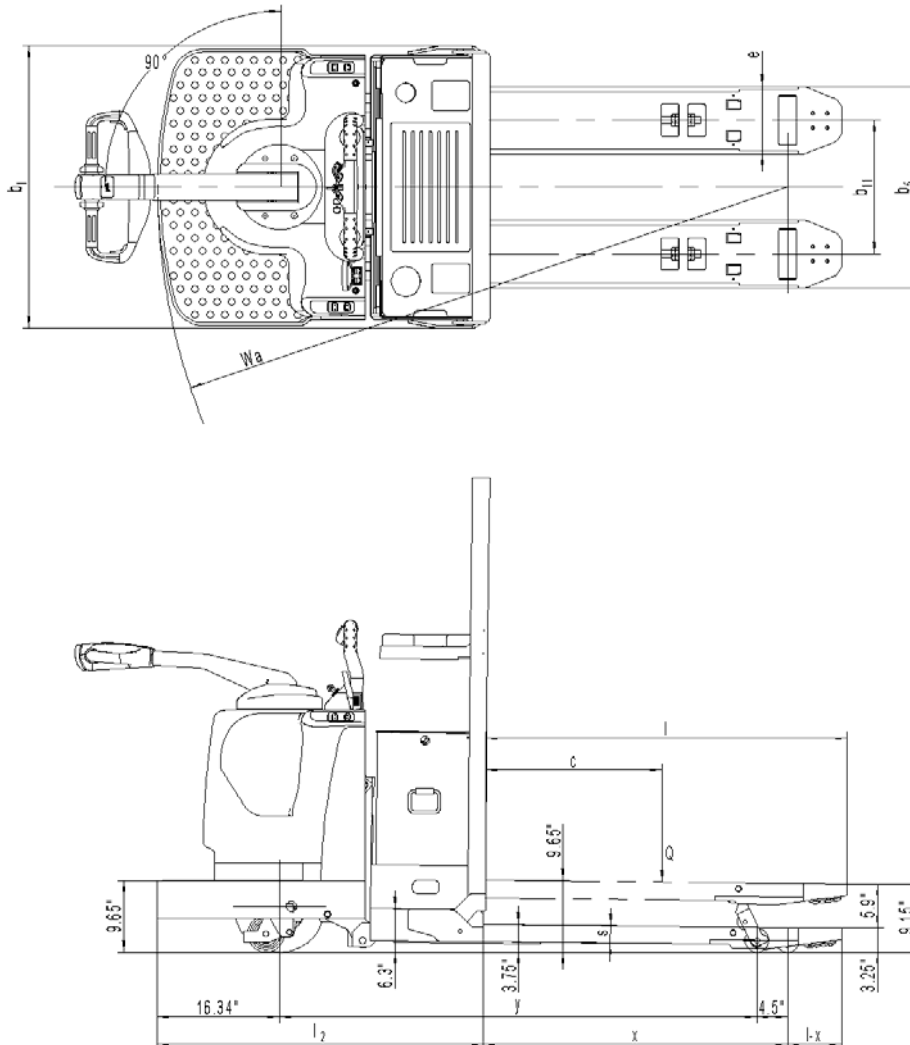


Fig. 2: Overview main components PT 36R

1. Pedal pad
2. Main cover
3. Left knee pad
4. Key switch
5. Indicator
6. Tiller
7. Safety (belly) button
8. Accelerator
9. Rocker switch
10. Rail cover
11. Storage cover
12. Load backrest
13. Fork chassis
14. Load wheels
15. Battery
16. Battery plug
17. Switch base
18. Indicator cover
19. Right knee pad
20. Cylinder
21. Steering wheel
22. Drive motor and drive wheel
23. Tiller cover

### b. Main technical data



**Fig.3 :** Technical data



**Table 1: Main technical data for standard version**

			Standard Fork Tip						Extended Fork Tip		
Nominal Fork Length		in	36.0	42.0	48.0	54.0	60.0	96.0	84.0	93.0	96.0
Actual Fork Length	l	in	35.7	41.7	47.8	53.7	59.7	95.7	83.7	92.8	95.7
Overall Length	l <sub>1</sub>	in	79.8	85.8	91.8	97.8	103.8	139.8	127.8	136.8	139.8
Wheelbase(raised)	y	in	51.4	57.4	63.5	69.5	75.5	111.6	83.9	83.9	83.9
Load Wheel Distance	x	in	28.4	34.4	40.5	48.4	52.4	88.4	61.7	61.5	61.7
Fork Tip Length	l-x	in	7.3	7.3	7.3	7.3	7.3	7.3	22.0	31.3	34.0
Grade Clearance		%									
Turning Radius(raised)	Wa	in	72.3	78.3	84.4	90.4	96.4	132.4	104.7	104.7	104.7
Fork Width	e	in	9.0						10.0		

		Type sheet for industrial truck acc. to VDI 2198			
Distinguishing mark	1.2	Manufacturer`s type designation		PT 27R	PT 36R
	1.3	Power (battery ,diesel, petrol, gas, manual)		Battery	Battery
	1.4	Operator type		Walkie/ride-on	Walkie/ride-on
	1.5	Load Capacity / rated load	Q (lbs)	6000	8000
	1.6	Load centre distance	c (in)	24	48
	1.8	Load distance ,centre of drive axle to fork	x (in)	40.5	61.7
	1.9	Wheelbase	y (in)	63.6	83.9
Weight	2.1	Service weight	lbs	2330	2465
	2.2	Axle loading, laden front/rear	lbs	3100/5260	2860/5544
	2.3	Axle loading, unladen front/rear	lbs	1870/550	2024/440
Tires, chassis	3.1	Tires		Polyurethane (PU)	Polyurethane (PU)
	3.2	Tire size, front	Ø x w (in)	Ø12.2 x 4.13	Ø12.2 x 4.13
	3.3	Tire size, rear	Ø x w (in)	Ø3.2 x 3.2	Ø3.2 x 2.76
	3.4	Additional wheels(dimensions)	Ø x w (in)	Ø4.9 x 2.4	Ø4.9 x 2.4
	3.5	Wheels,number front/ rear(x=driven wheels)		1 x +2/4	1 x +2/8
	3.6	Tread, front	b <sub>10</sub> (in)	26.8	26.8
	3.7	Tread, rear	b <sub>11</sub> (in)	12.9/17.9	12.9/17.9
Dimensions	4.4	Lift	h <sub>3</sub> (in)	5.9	5.9
	4.9	Height of tiller in drive position min./ max.	h <sub>14</sub> (in)		
	4.15	Height, lowered	h <sub>13</sub> (in)	3.25	3.25
	4.19	Overall length	l <sub>1</sub> (in)	91.7	139.8
	4.20	Length to face of forks	l <sub>2</sub> (in)	43	43
	4.21	Overall width	b <sub>1</sub> (in)	37/37.8	37/37.8
	4.22	Fork dimensions	s/e/l (in)	2.4/9.0/48	2.4/10/96
	4.25	Distance between fork- arms	b <sub>5</sub> (in)	22/27	23/28
	4.32	Ground clearance, centre of wheelbase	m <sub>2</sub> (in)	0.98	0.98
	4.34	Aisle width for pallets 40" x 48"lengthways	Ast (in)	94.5	153.5
Performance data	5.1	Travel speed, laden/ unladen	mph	6.2/8.7	5.9/7.5
	5.2	Lift speed, laden/ unladen	fpm	7.5/9.5	6.3/7.8
	5.3	Lowering speed, laden/ unladen	fpm	9.5/9.5	7.8/7.8
	5.8	Max. gradeability, laden/ unladen	%	8/15	6/15
	5.10	Service brake		Electromagnetic	Electromagnetic
Electric engine	6.1	Drive motor rating S2 60min	HP	5.1	5.1
	6.2	Lift motor rating at S3 10%	HP	3	3
	6.3	Battery acc. to DIN 43531/ 35/ 36 A, B, C, no		no,5Pzs	no,5Pzs

	6.4	Battery voltage, nominal capacity K5	V/ Ah	24/350	24/350
	6.5	Battery weight	lbs	704	704
	6.6	Energy consumption acc. to VDI cycle	kWh/h		
Additional data	8.1	Type of drive control		AC- speed control	AC- speed control
	8.4	Sound level at driver's ear acc. to EN 12053	dB(A)	68	68
	8.6	Steering		Manual	Manual

### c. Description of the safety devices and warning labels

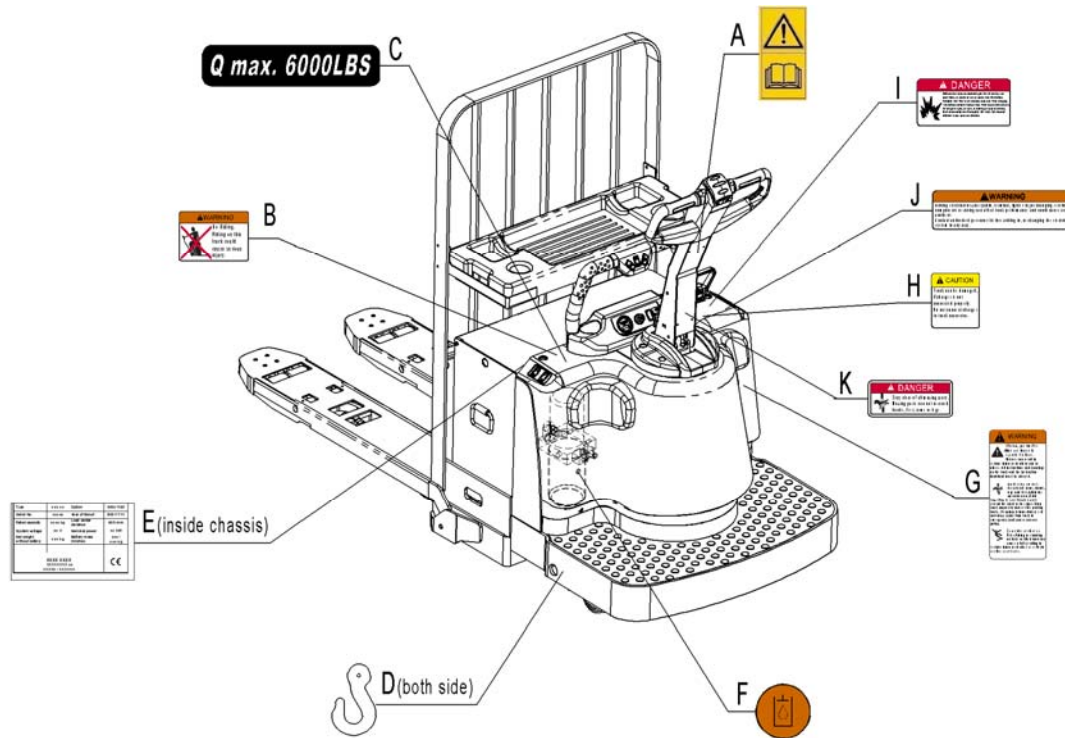


Fig. 4: Safety and warning labels PT 27R

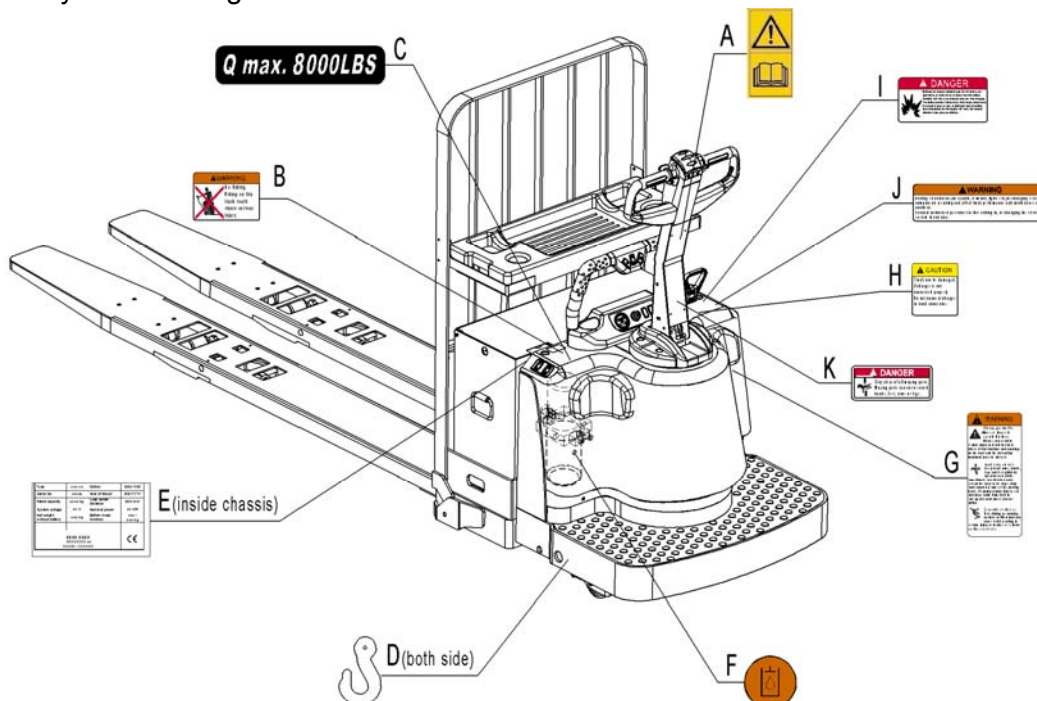


Fig. 5: Safety and warning labels PT 36R

- A Sticker to read and follow this instruction
- B Sign danger not riding
- C Capacity sticker
- D Hook mark
- E Identification plate (ID-plate)
- F Sign oil filling point
- G Sign warning stay clear stop truck
- H Sign caution charge
- I Sign danger battery
- J Sign warning electrical devices
- K Sign danger being crushed

The truck is equipped with a safety (belly) button (7) which switches the driving function away from the operator, if the truck travels towards the operator and the tiller is activated in the tillers operating zone. Follow also the instructions given on the decals. Replace the decals if they are damaged or missing.

### d. Identification plate

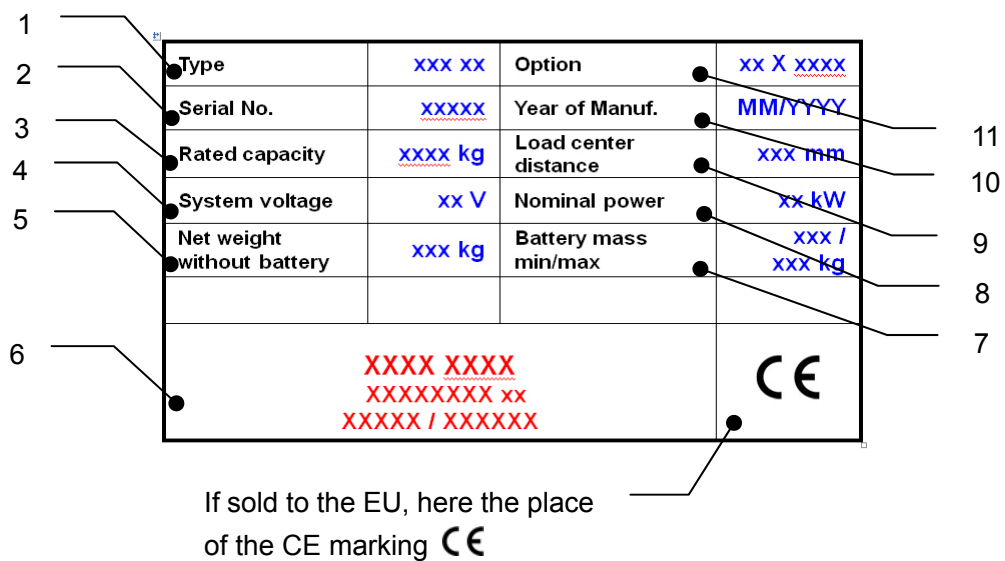


Fig. 6: Identification plate

- 1 Designation, type
- 2 Serial number
- 3 Rated capacity in kg
- 4 Supply voltage in V
- 5 Own mass (self weight) in kg without battery
- 6 Name and address of manufacturer)
- 7 Battery weight minimum/ maximum
- 8 Nominal power in kW
- 9 Load center distance
- 10 Manufacturing date
- 11 Option

### 3. WARNINGS, RESIDUAL RISK AND SAFETY INSTRUCTIONS



#### **DO NOT**

- Put foot or hand under or into the lifting mechanism.
- Allow other person than the operator to stand in front of or behind the truck when it is moving or lifting/lowering.
- Overload the truck.
- Put foot in front of the wheels, injury could result.
- Lift people. People could fall down and suffer severe injury.
- Push or pull loads
- Use this truck on ramps
- Side or end load. Load must be distributed evenly on the forks.
- Use the truck with unstable, unbalanced not stable load.
- Use truck without manufacturer's written consent.
- Lifted loads could become unstable at wind forces. In the case of wind forces do not lift the load if there is any influence to the stability

Watch difference in floor levels when driving. Load could fall down or the truck could get uncontrollable. Keep watching the condition of load. Stop operating the truck if load becomes unstable.

Brake the truck and push down the tiller to the lowest point when sliding load on or off the truck. If the truck has any malfunctions, follow chapter 6.

Practice maintenance work according to regular inspection. This truck is not designed to be water resistant. Use the truck under dry condition. Prolonged continuous operation might cause damage of the power pack. Stop operation if temperature of hydraulic oil is too high.



- When operating the electric pallet truck, the operator has to wear safety shoes.
- The truck is intended to be used for indoor applications with ambient temperatures between +5°C and + 40°C.
- The operating lighting must be minimum 50 Lux.
- It is not allowed to use the truck on ramps.
- To prevent unintended sudden movements when not operating the tuck (i.e. from another person, etc.) switch of f the truck when not operating it.

### 4. COMMISSIONING, TRANSPORTING, DECOMMISSIONING

#### **a. Commissioning**

Table 2: Commissioning data

Type	PT 25R	PT 36R
Commissioning weight [kg]	app.950kg	app.1087kg
Dimension [mm]	2120x790x1220	2665x790x1225

After receiving our new pallet truck or for re-commissioning you have to do following before (firstly) operating the truck:

- Check if are all parts included and not damaged
- Eventually installation of the multifunction tiller
- Eventually installation and charging the batteries (follow chapter 7)
- Do the work according to the daily inspections as well as functional checks

## b. Lifting/ transportation

For transporting, remove the load, lower the forks to the lowest position and fix the truck safe with dedicated lifting gear according to the following figures.

### Lifting



USE DEDICATED CRANE AND LIFTING EQUIPMENT  
DO NOT STAND UNDER THE SWAYING LOAD  
DO NOT WALK INTO THE HAZARDOUS AREA DURING LIFTING

Park the truck securely and lash the truck according to the points identified in fig. 8 or fig. 9.  
Lift the truck to its destination and place the truck securely before removing the lifting gear.  
The lashing points are according to the fig. 7 or fig. 8.

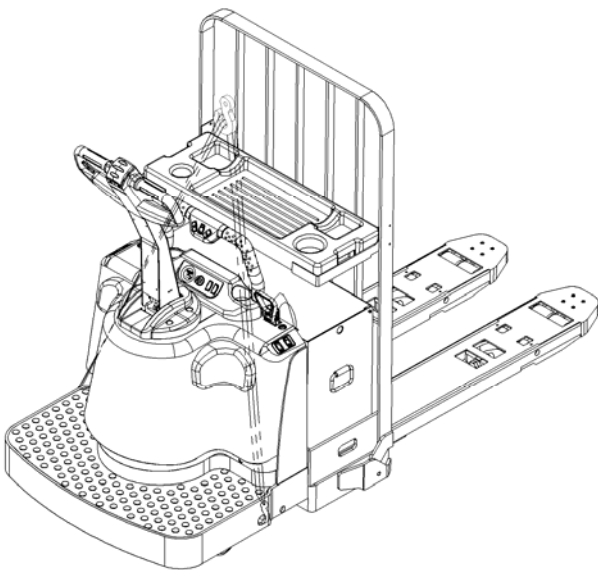


Fig. 7: Lifting with a crane PT 27R

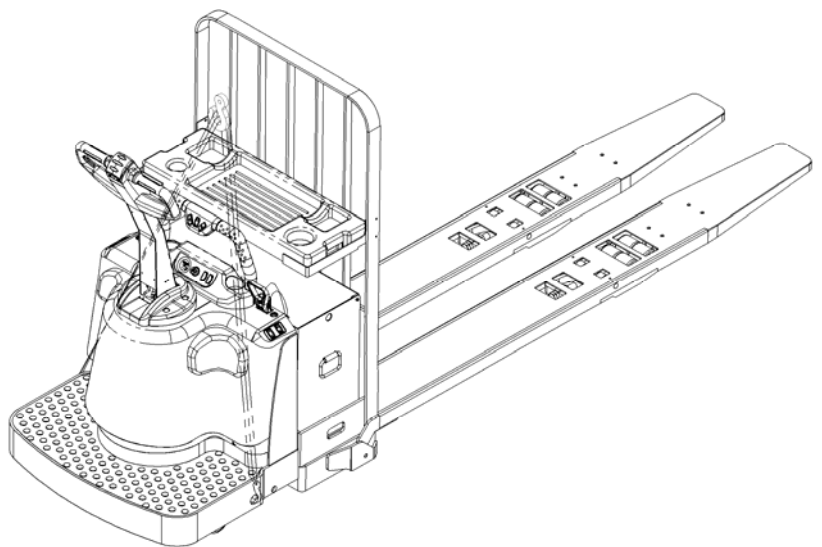


Fig. 8: Lifting with a crane PT 36R

## Transportation



DURING TRANSPORTATION ON A LORRY OR TRUCK ALWAYS FASTEN THE TRUCK SECURELY

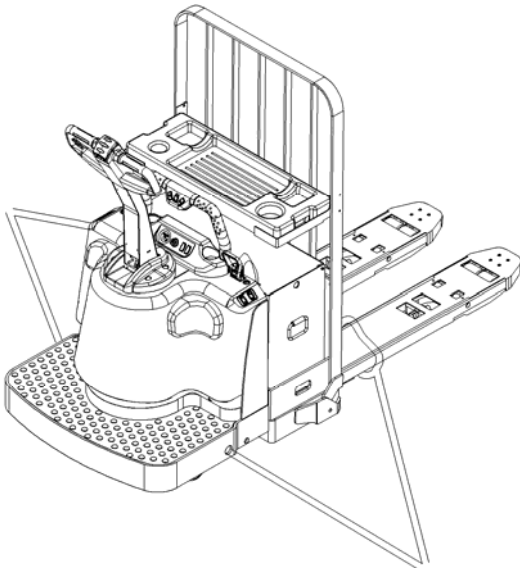


Fig.9: fixing points PT 27R

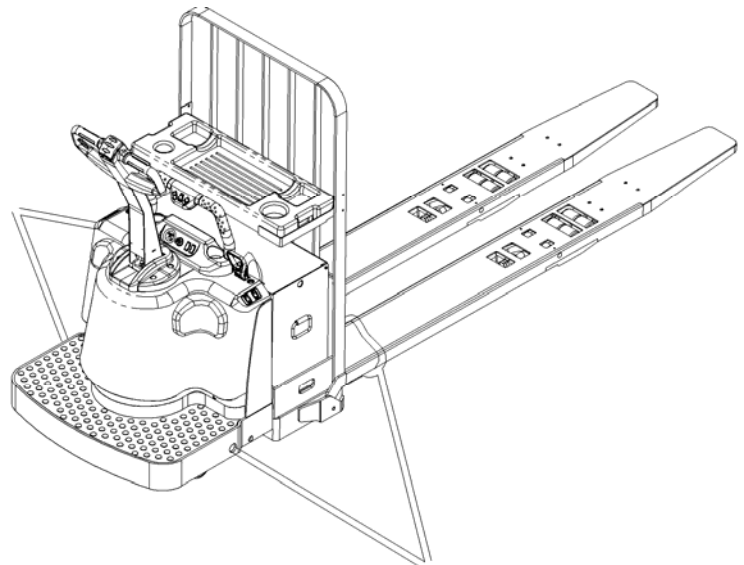


Fig.10: fixing points PT 36R

Lower the forks and park the truck securely.

Fasten the truck according to fig.9 or fig.10 by fixing dedicated lashing belts to each side of the truck's crane hook holes and fasten the other side at the transporting truck.

## C. Decommissioning

For storage, remove the load, lower the truck to the lowest position, grease all in this handbook mentioned greasing points (regular inspection), eventually protect the truck against corrosion and dust. Remove the batteries and jack the truck safely, so that there will be no flattening after storage.

For final decommissioning hand the truck to a designated recycling company. Oil, batteries and electric components must be recycled due to legal regulations.

## 5. DAILY INSPECTION

This chapter describes pre-shift checks before putting the truck into operation.

Daily inspection is effective to find the malfunction or fault on this truck. Check the truck on the following points before operation.

Remove load from truck and lower the forks.



DO NOT USE THE TRUCK IF ANY MALFUNCTION IS FOUND.

- Check for scratches, deformation or cracks.
- Check if there is any oil leakage from the cylinder.
- Check the vertical creep of the truck.
- Check the smooth movement of the wheels.

- Check the function of the emergency brake by activating the emergency button.
- Check, the tiller arm- switch braking function
- Check the lifting and lowering functions by operating the buttons.
- Check if all bolts and nuts are tightened firmly.
- Visual check if there are any broken hoses or broken electric wires.

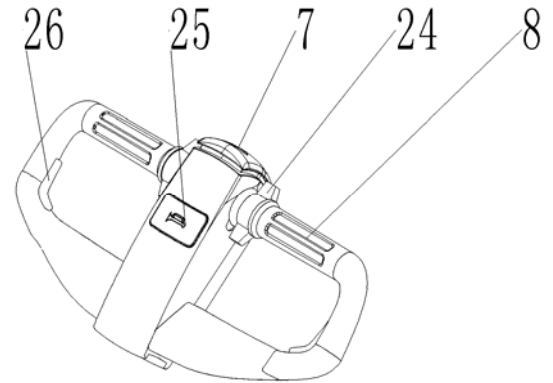
## 6. OPERATING INSTRUCTIONS



BEFORE OPERATING THIS TRUCK, PLEASE FOLLOW THE WARNINGS AND SAFETY INSTRUCTIONS (CHAPTER 3).

Make sure, that the load is palletized and stable and that the daily inspection is carried out.

Insert the key switch (4), turn on it. Press the horn button (25) to activate the audible warning signal.



**Fig.11:** Tiller operating controls

### a. Parking



DO NOT PARK THE TRUCK ON INCLINED SURFACES

The truck is equipped with an electromagnetic failsafe stopping and parking brake. Always lower the forks fully.

### b. Lifting



DO NOT OVERLOAD THE TRUCK! THE MAXIMUM CAPACITY OF PT 27R IS 6000 kg. PT 36R IS 8000 kg.

Travel with the lowered forks fully underneath the pallet until the load and press the lifting button (24) until you reached the desired lifting height.

### c. Lowering

Press the lowering button (24) carefully.

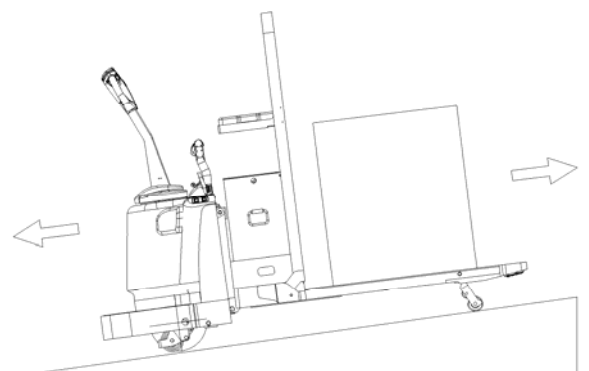
Lower the load until the forks are clear of the pallet, then drive the truck carefully out of the load unit.

### d. Travelling



TRAVEL ON INCLINES ONLY WITH THE LOAD FACING UPHILL.  
DO NOT TRAVEL ON INCLINES MORE THAN SPECIFIED WITH THE TECHNICAL DATA.

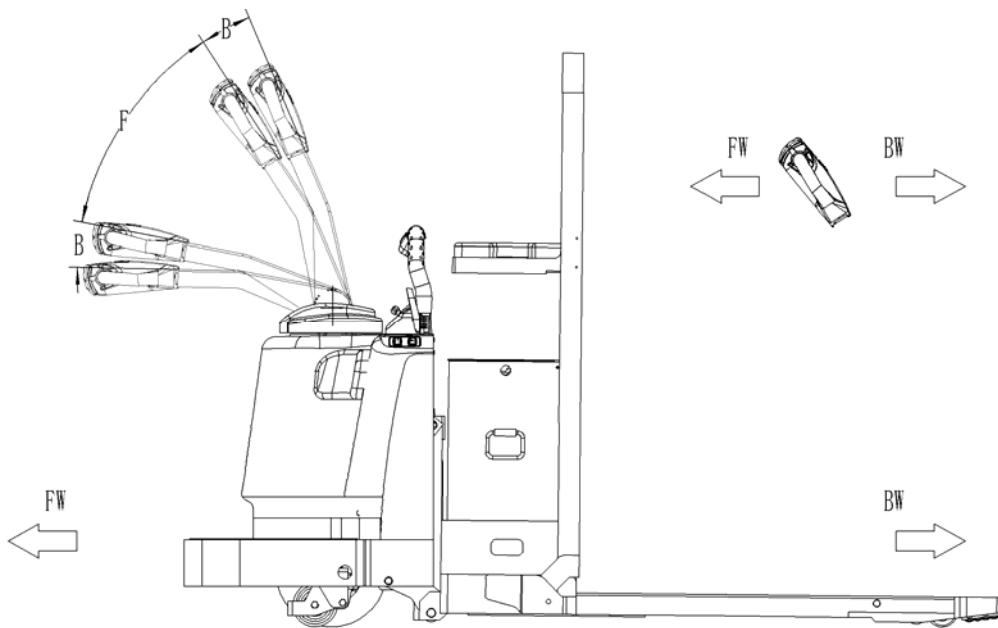
After starting the truck by turning on the key switch (4),



**Fig. 12:** Load facing uphill

move the tiller to the operating zone ('F', fig.13).

Turn the accelerator button to the desired direction forward 'Fw.' or backwards Bw.'(fig. 13).



**Fig. 13:** Operating direction

Control the travelling speed by moving the accelerator button (18) carefully until you reached the desired speed.

If you move the accelerator button back to the neutral position, the controller decelerates the truck until the truck stops. If the truck stopped, the parking brake will be engaged.

Drive carefully the truck to the destination. Watch the route conditions and adjust the travelling speed with the accelerator- button.

### **e. Steering**



THE TRUCK IS EQUIPPED WITH AN ELECTRIC STEERING SYSTEM. TAKE CARE BY OPERATING THE TRUCK; THE BEHAVIOR OF THE TRUCK MIGHT BE DIFFERENT THAN TO A TRUCK WITHOUT ELECTRIC STEERING SYSTEM.

You steer the truck by moving the tiller to the left or right side.

### **f. Braking**



THE BRAKING PERFORMANCE DEPENDS ON THE TRACK AND LOAD CONDITONS OF THE TRUCK

The braking function can be activated on several ways:

- By moving the accelerator button (8) back to the initial '0' position or by releasing the button, the regenerative braking is activated. The truck brakes until it stops.
- By moving the accelerator button (8) from one driving direction directly to the opposite direction, the truck brakes regenerative until it starts travelling into the



opposite direction.

- The truck brakes, if the tiller is moved up or down to the braking zones ('B'). If the tiller is released, the tiller moves automatically up to the upper braking zone ('B'). The truck brakes until it stops. (only foldable platform)
- The safety (belly) button (7) prevents the operator from being crushed. If this button is activated, the truck decelerates and or starts travelling into the backwards direction ('Bw.') for a short distance and stops. Please consider, that this button also operates, if the truck is not travelling and the tiller is in the operating zone.

## **g. Malfunctions**

If there are any malfunctions or the truck is inoperative, please stop using the truck and push down the tiller to the lowest point. If possible, park the truck on a safe area and remove the key switch (7). Inform immediately the manager and, or call your service. If necessary, tow the truck out of the operating area by using dedicated towing/ lifting equipment.

## **h. Emergency**

In emergencies or in the event of tip over (or off dock), keep safe distance immediately. push down the tiller to the lowest point. All electrical functions will be stopped.

## **7. BATTERY CHARGING AND REPLACEMENT**



- Only qualified personnel are allowed to service or charge the batteries. The instructions of this handbook and from the battery- manufacturer must be observed.
- The batteries are liquid acid traction batteries. Optional maintenance free batteries are available; for these batteries re- filling is prohibited.
- Recycling of batteries undergoes national regulations. Please follow these regulations.
- By handling batteries, open fire is prohibited, gases could cause explosion!
- In the area of battery charging neither burning materials nor burning liquids are allowed. Smoking is prohibited and the area must be ventilated.
- Park the truck securely before starting charging or installing/changing the batteries
- Before finishing the maintenance work, make sure, that all cables are connected correctly and that there are no disturbing towards other components of the truck.

As standard batteries, the truck is equipped with following liquid acid traction battery- type:

1 pc 5PzS 24V/ 350Ah



IT IS ONLY ALLOWED TO USE LIQUID ACID TRACTION BATTERIES.  
THE WEIGHT OF THE BATTERIES HAS AN INFLUENCE TO THE TRUCKS  
OPERATING BEHAVIOR.  
PLEASE CONSIDER THE MAXIMUM OPERATING TEMPERATURE OF THE  
BATTERIES.

## a. Replacement

EXCHANGING THE BATTERY TO THE SIDE REQUIRES SPECIAL EQUIPMENT, APPROPRIATED TO TAKE THE BATTERY SECURELY. ENSURE THAT THIS EQUIPMENT IS NOT MOVING BACKWARDS IF YOU MOVE OUT THE BATTERY BLOCK!  
PAY ATTENTION, THE BATTERY MIGHT FALL OUT, IF THE EQUIPMENT IS USED NOT CORRECTLY AND CAREFULLY!

### With storage cover

Park the truck securely and switch off the truck with the key switch (7) and disconnect the battery plug (16). Pull down the load backrest with one screw (27). Pull up the battery block (28), then pull out the battery (15) according to fig. 16 to the securely parked and docked battery exchange system, If you would like to exchange to the side. If you exchange the battery to the top, you have to use dedicated lashing equipment.

The installation is in the opposite direction of the removal.

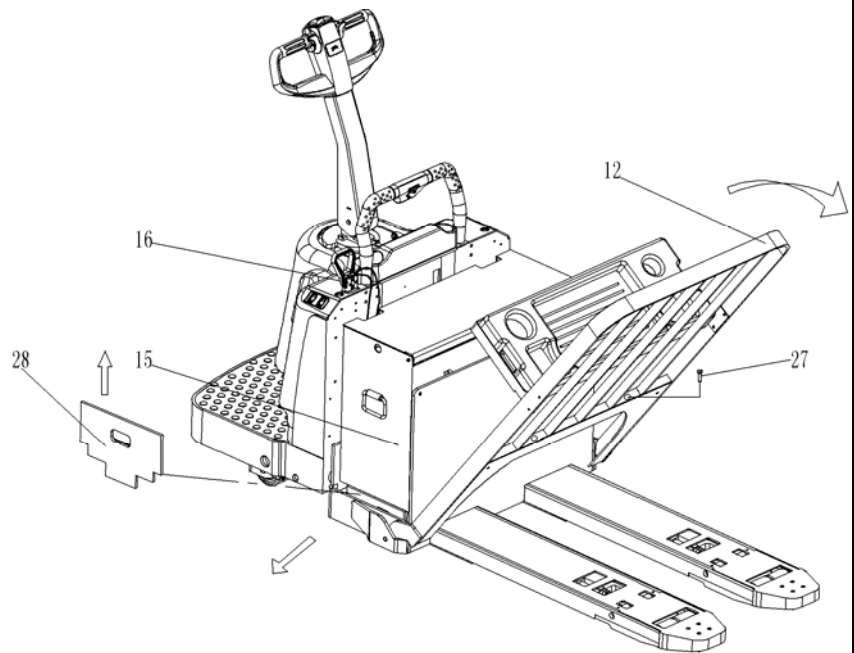


Fig. 14: Battery replacement

### Without storage cover

Park the truck securely and switch off the truck with the key switch (7) and disconnect the battery plug (16). Then move the battery out with a crane. The installation is in the reverse order of the removal.

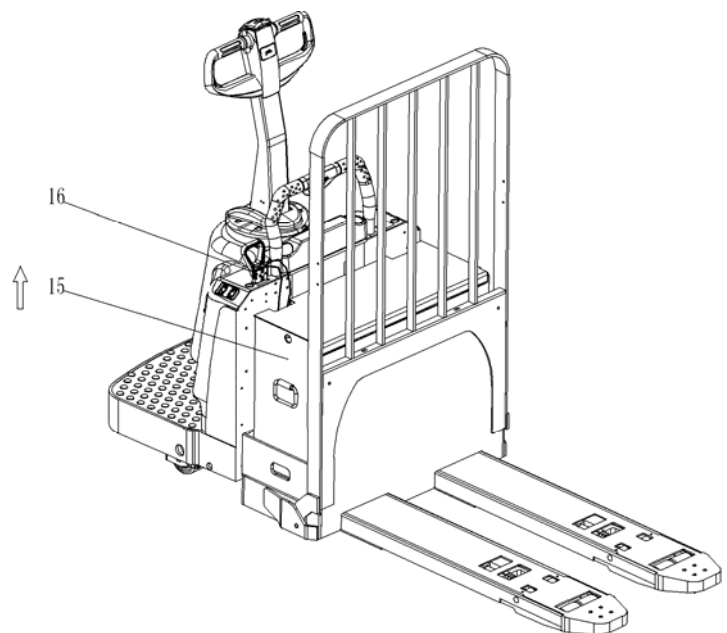
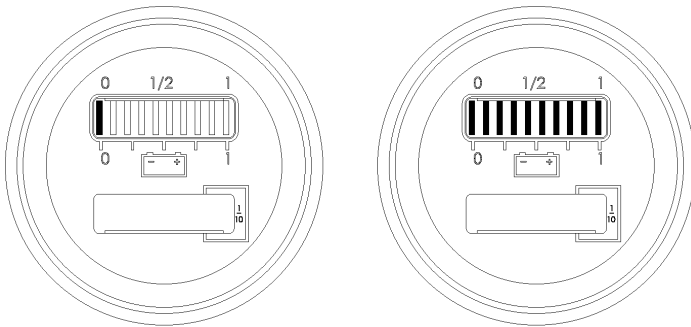


Fig. 15: Battery replacement

## b. Battery indicator

Discharge status is indicated by ten red LED segments.



Battery discharged

Battery discharged

Fig.16: Battery discharge indicator

Only when the battery is properly charged, the most right LED lit. As the battery's state-of-charge decreases, successive LEDs light up, only one on at a time.

- The 2nd from left LED flashes, indicating "energy reserve" (70% depth of discharge).
- The 2 most left LEDs alternately flash, indicating "empty" (80% depth of discharge).

## c. Charging



- The attached automatic charger is only available for the optional voltage of 110V or 220V as referred.
- The room, where you are charging must be ventilated.
- The exactly charge status can be only checked from the discharge indicator. To control the status, the charging must be interrupted and the truck must be started.

Park the truck at a dedicated secured area with a dedicated power supply.

Lower the forks and remove the load; if supplied remove the battery cover.

Switch the truck off and connect the battery plug to the charging plug of the charger.

The charger starts charging the battery if the charger is connected to the main power supply.

Disconnect the battery plug after the charger finished charging.

If supplied, connect the battery plug with the plug at the truck.

When charging is finished, disconnect the connector from the socket and place it in the designated pocket.

## 8. REGULAR MAINTENANCE



- Only qualified and trained personnel are allowed to do maintenance on this truck.
- Before maintaining, remove the load from the forks and lower the forks to the lowest position.
- If you need to lift the truck, follow chapter 4b by using designated lashing or jacking equipment. Before working, put safety devices (for instance designated lift jacks, wedges or wooden blocks) under the truck to protect against accidental lowering, movement or slipping.

- Please pay attention by maintain the tiller arm. The gas pressure spring is pre-loaded by compression, carelessness can cause injury.
- Use approved and from your dealer released original spare parts.
- Please consider that oil leakage of hydraulic fluid can cause failures and accidents.
- It is allowed to adjust the pressure valve only from trained service technicians.

If you need to change the wheels, please follow the instructions above. The castors must be round and they should have no abnormal abrasion.

Check the items emphasized maintenance checklist.

## a. Maintenance checklist

Table 3: Maintenance checklist

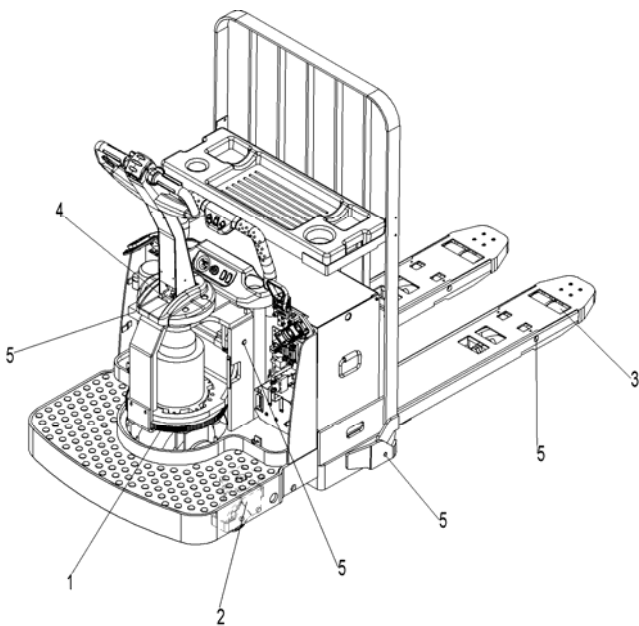
		Interval(Month)			
		1	3	6	12
Hydraulic					
1	Check the hydraulic cylinder(s), piston for damage noise and leakage		•		
2	Check the hydraulic joints and hose for damage and leakage		•		
3	Inspect the hydraulic oil level, refill if necessary		•		
4	Refill the hydraulic oil ( 12 month or 1500 working hours )				•
5	Check and adjust function of the pressure valve (2500kg +0/+10%)				•
Mechanical system					
6	Inspect the forks for deformation and cracks		•		
7	Check the chassis for deformation and cracks		•		
8	Check if all screws are fixed		•		
9	Check the push rods for deformation and damages		•		
10	Check the gearbox for noise and leakage		•		
11	Inspect the wheels for deformation and damages		•		
12	Inspect and lubricate the steering bearing				•
13	Inspect and lubricate the pivot points		•		
14	Lubricate the grease nipples	•			
Electrical system					
15	Inspect the electric wiring for damage		•		
16	Check the electric connections and terminals		•		
17	Test the Emergency switch function		•		
18	Check the electric drive motor for noise and damages		•		
19	Test the display		•		
20	Check, if correct fuses are used		•		
21	Test the warning signal		•		
22	Check the contactor(s)		•		
23	Check the frame leakage (insulation test)		•		
24	Check function and mechanical wear of the accelerator		•		
25	Check the electrical system of the drive motor		•		
Braking system					
26	Check brake performance, if necessary replace the brake disc or adjust the air gap		•		
Battery					

27	Check the battery voltage		•		
28	Clean and grease the terminals and check for corrosion and damage		•		
29	Check the battery housing for damages		•		
30	Check and if necessary refill the battery with distilled water	•			
Charger					
31	Check the main power cable for damages			•	
32	Check the start-up protection during charging			•	
Function					
33	Check the horn function	•			
34	Check the air gap of the electromagnetic brake	•			
35	Test the emergency braking	•			
36	Test the reverse and regenerative braking	•			
37	Test the safety (belly) button function	•			
38	Check the steering function	•			
39	Check the lifting and lowering function	•			
40	Check the tiller arm switch function	•			
General					
41	Check if all decals are legible and complete	•			
42	Inspect the castors, adjust the height or replace these if worn out.		•		
43	Carry out a test run	•			

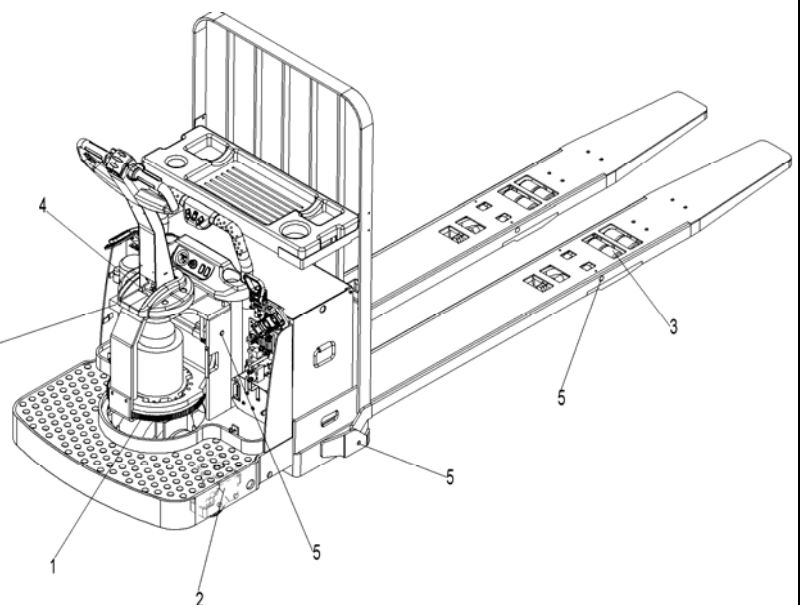
## b. Lubricating points

Lubricate the marked points according to the maintenance checklist. The required grease specification is: DIN 51825, standard grease.

1. Gear box
2. Caster bearings
3. Load wheel bearings
4. Hydraulic system
5. Joint



**Fig. 17:** Lubricating points PT 27R



**Fig. 18:** Lubricating points PT 36R

### C. Check and refill hydraulic oil

The required hydraulic fluid- type is

- H-LP 46, DIN 51524
- Viscosity is 41.4 - 47
- Depending on the type the amount is **1,5L**

Waste material like oil, used batteries or other must be probably disposed and recycled according to the national regulations and if necessary brought to a recycling company.

The oil level height shall be in the not lifted position min. **1.4L to 1.6L**.

If necessary add oil at the filling point.

### d. Checking electrical fuses

Remove the main cover. The fuses are located according to fig. 19 and fig. 20.

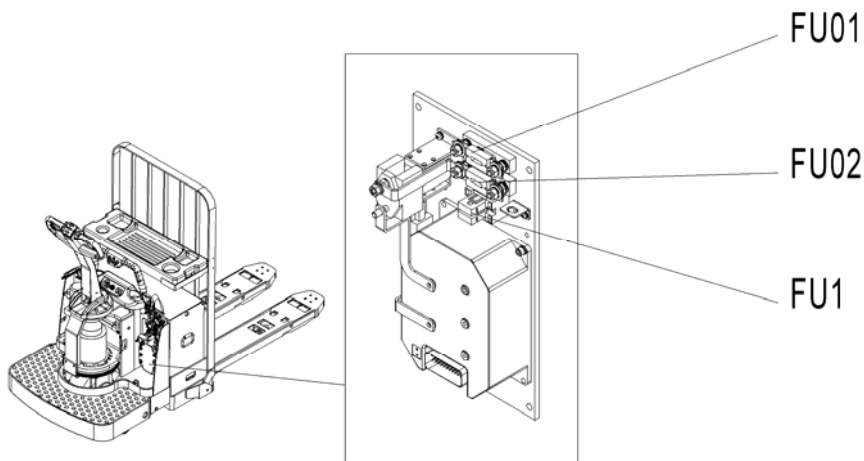


Fig. 19: Lubricating points PT 27R

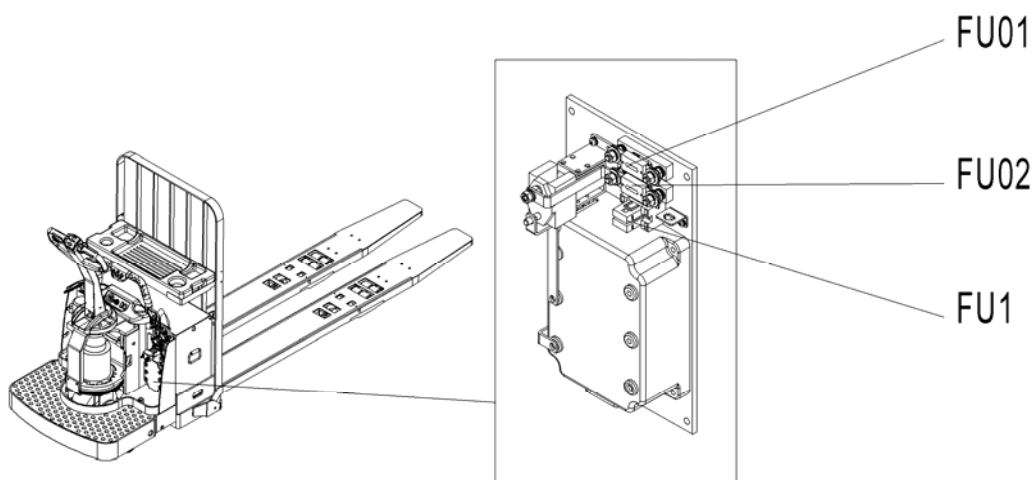


Fig. 20: Lubricating points PT 36R

**Table 4:** Size fuses PT 27R

	Rate
FU1	10 A
FU01	150 A
FU02	200A

**Table 5:** Size fuses PT 27R

	Rate
FU1	10 A
FU01	150 A
FU02	350A

## 9. TROUBLE SHOOTING



- If the truck has malfunctions follow the instructions, mentioned under chapter 6.

**Table 6:** Trouble shooting

TROUBLE	CAUSE	REPAIR
Load can't be lifted	Load weight too high	Lift only the max. capacity, mentioned on the ID-plate
	Battery discharged	Charge the battery
	Lifting fuse faulty	Check and eventually replace the lifting fuse
	Hydraulic oil level too low	Check and eventually refill hydraulic oil
	Oil leakage	Repair the hoses and/or the sealing of the cylinder
Oil leakage from air breathing	Excessive quantity of oil.	Reduce oil quantity.
Truck not starts operating	Battery is charging	Charge the battery completely and then remove the main power plug form the electrical socket.
	Battery not connected	Connect the battery correctly
	Fuse faulty	Check and eventually replace fuses
	Low battery	Charge the battery
	Combined emergency switch is activated	De-activate the combined emergency switch by insert and pull the knob.
	Tiller in the operating zone	Move the tiller firstly to the braking zone.

If the truck has malfunctions and can't be operated out of the working zone, jack the truck up and go with a load handler under the truck and safe the truck securely. Then move truck out of the aisle.

# 10. WIRING/ CIRCUIT DIAGRAM

## a. Electrical circuit diagram

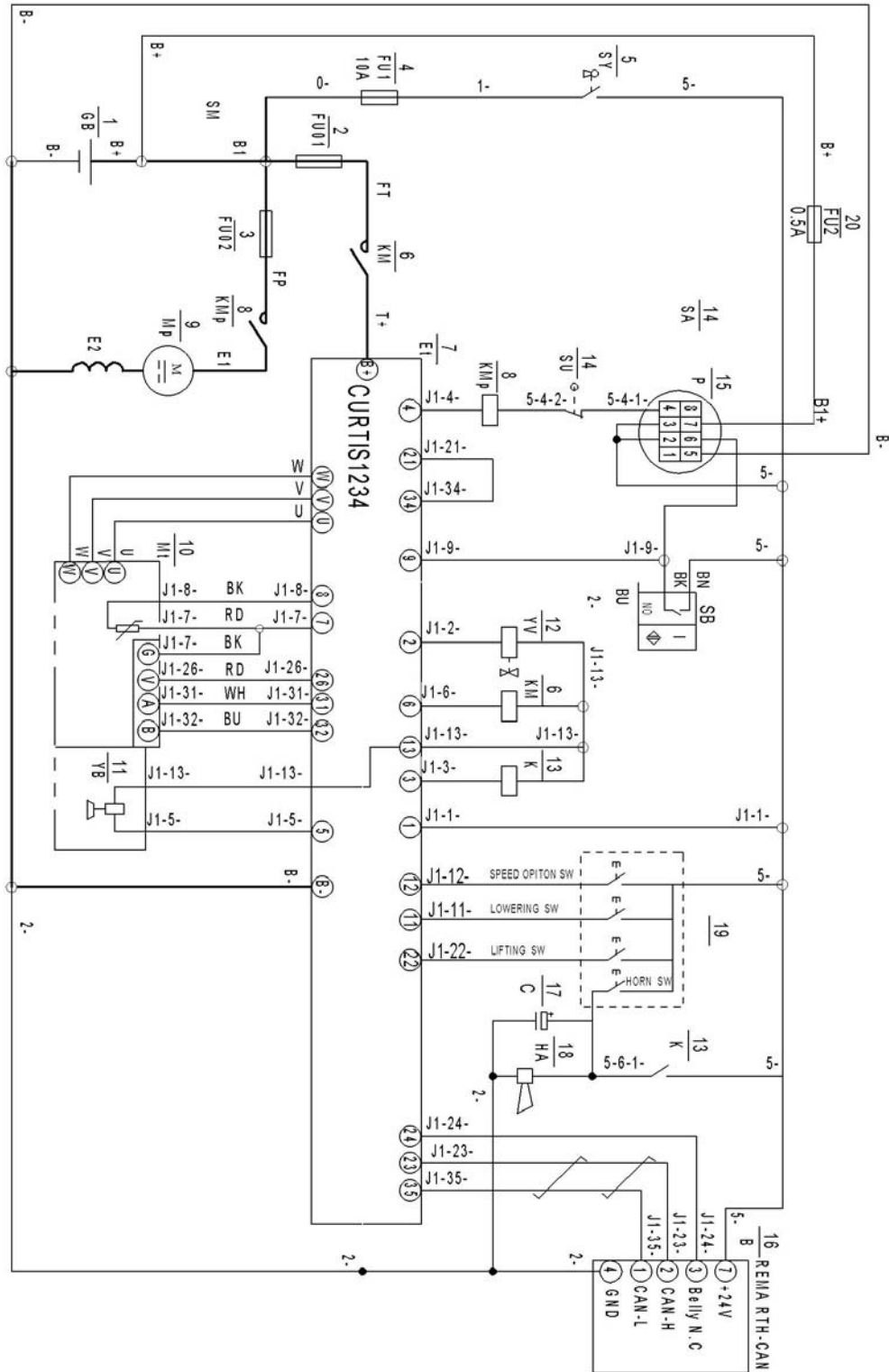


Fig. 21: Electric diagram PT 27R

FU1	: 10A
FU01	: 150A
FU02	: 200A



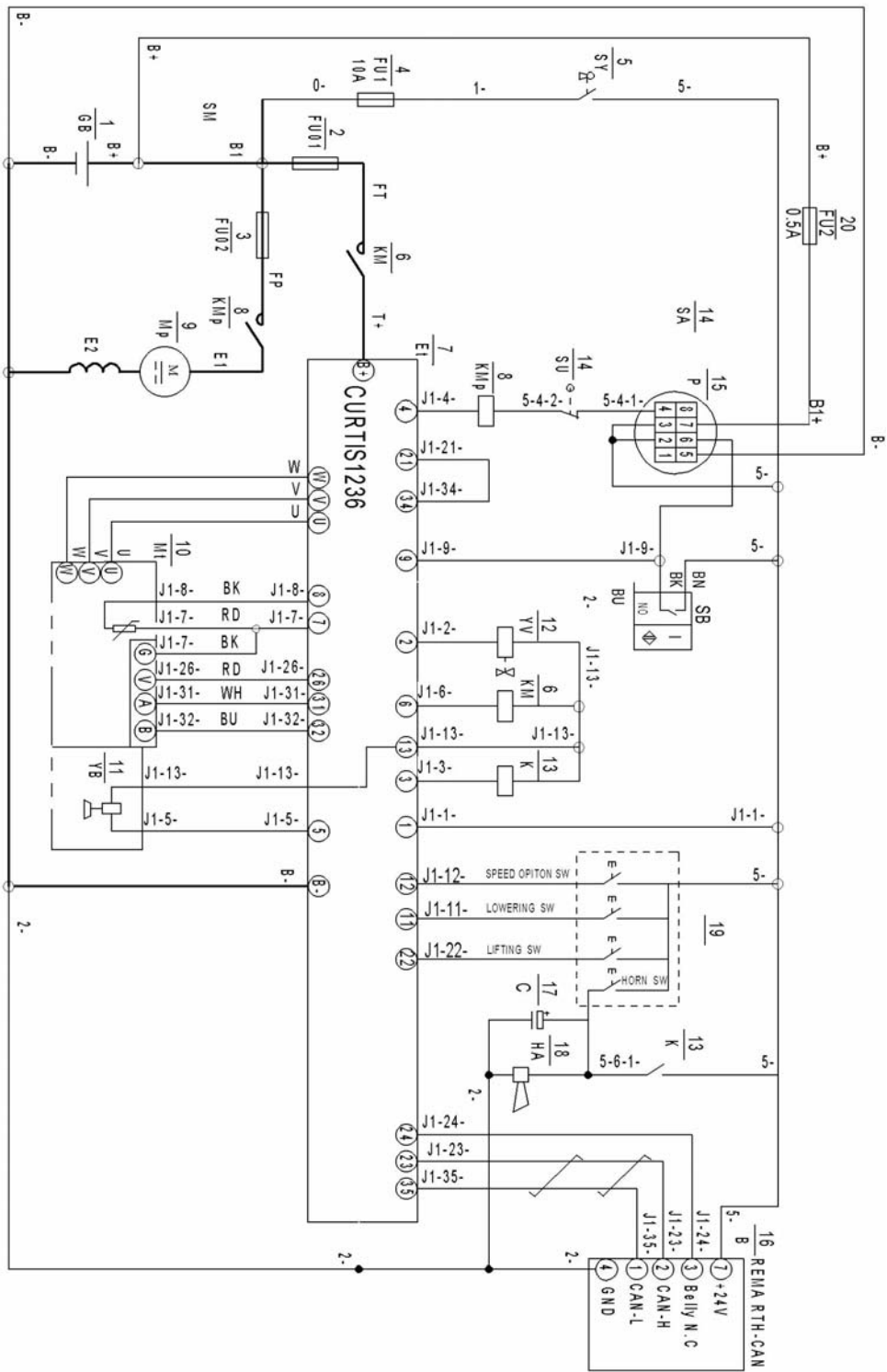


Fig. 21: Electric diagram PT 36R

FU1	: 10A
FU01	: 150A
FU02	: 350A

## b. Hydraulic circuit

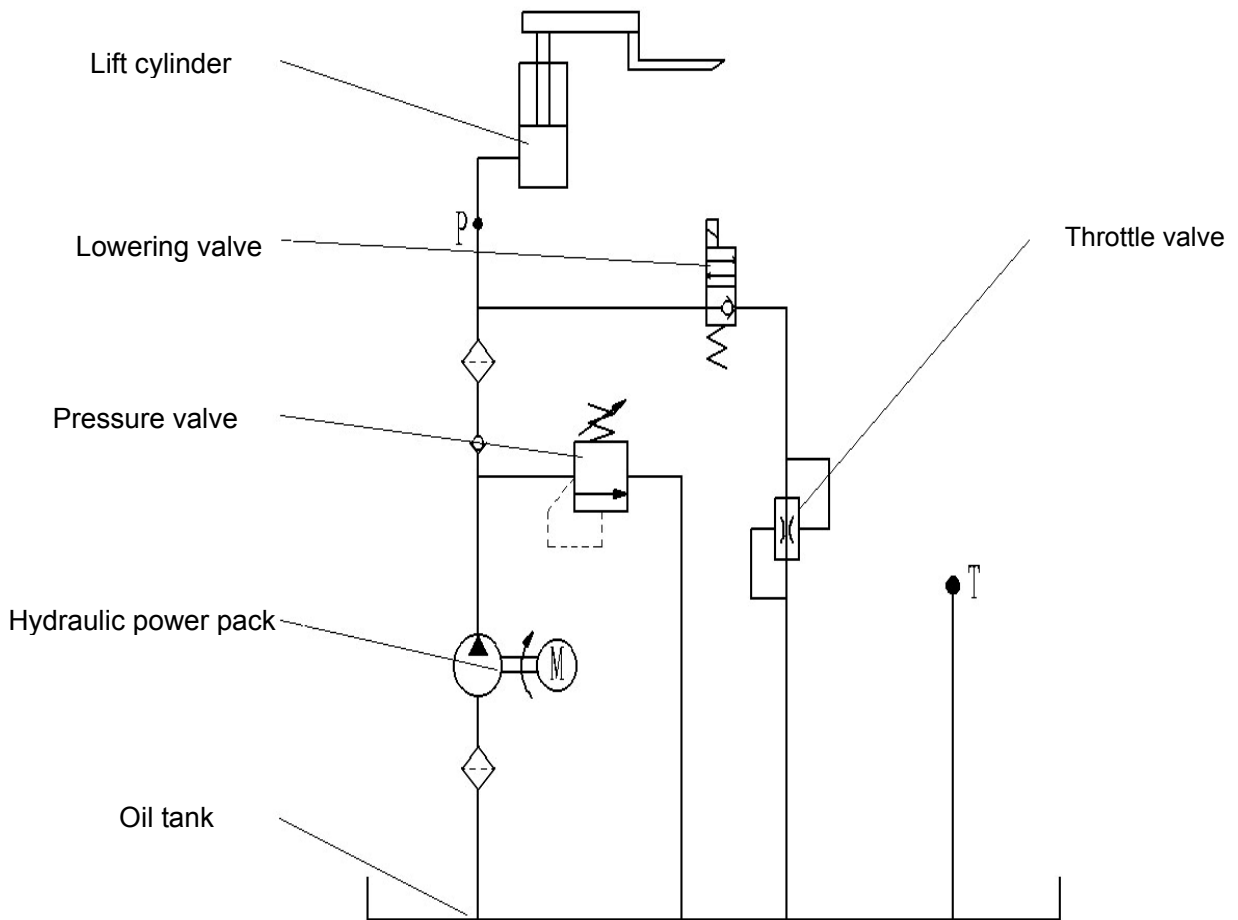


Fig. 22: Hydraulic circuit

# 11. DECLARATION OF CONFORMITY (valid, if sold within the EU)

## **[GB] CE Declaration of Conformity**

The signatory hereby declares that the specified machine conforms to the EU Directive 2006/42/EC (Machine Directive) and 2004/108/EEC (Electro-Magnetic Compatibility, EMC) including their amendments as translated into national legislation of the member countries. The signatory is individually authorized to compile the technical documents.

## **[D] EG-KONFORMITÄTSERKLÄRUNG**

Der Unterzeichner bescheinigt hiermit, dass die im Einzelnen bezeichnete Maschine den Europäischen Richtlinien 2006/42/EG (Maschinenrichtlinie) und 2004/108/EG (Elektromagnetische Verträglichkeit - EMV) einschließlich deren Änderungen sowie dem entsprechenden Rechtserlaß zur Umsetzung der Richtlinien in nationales Recht entspricht. Der Unterzeichner ist bevollmächtigt, die technischen Unterlagen zusammenzustellen.

## **[E] DECLARACIÓN DE CONFORMIDAD CE**

El signatario certifica por medio de la presente que la máquina especificada cumple con las Normas Europeas 2006/42/CE (Normativa para maquinarias) y 2004/108/CE (Compatibilidad electromagnética), incluyendo sus respectivas modificaciones, así como con el decreto-ley para la adaptación de las normas al derecho nacional. El signatario dispone de una autorización individual que le permite compilar la documentación técnica.

## **[F] DECLARATION DE CONFORMITE CE**

Par la présente déclaration, les soussignés certifient que le machines spécifié ci-dessus est conforme à la loi et aux directives européennes 2006/42/CE (directive sur les machines) et 2004/108/CEE (compatibilité électromagnétique - CEM), y compris aux modifications qui y sont apportées et à l'arrêté autorisant sa transposition en droit national. Chaque signataire est habilité à établir individuellement la documentation technique.

## **[NL] EG-KONFORMITEITSVERKLARING**

Ondergetekenden verklaren hierbij dat - volgens de nationale wetgeving van de Lidstaten - de hierboven vermelde opgegeven machina beantwoordt aan de bepalingen qua veiligheid bij machines (EG richtlijn 2006/42/EC) en electro-magnetische compatibiliteit (EG richtlijn 2004/108/EEC). Ondergetekenden zijn ieder individueel gemachtigd het technisch dossier samen te stellen.

## **[P] DECLARAÇÃO DE CONFORMIDADE CE**

Pela presente, os signatários certificam que o máquina especificado está conforme às Directivas Europeias 2006/42/CE („Máquinas“) e 2004/108/CEE („Inocuidade Electromagnética - IEM“), incluindo as alterações das mesmas e o respectivo decreto-lei para a transposição em lei nacional. Cada um dos signatários está autorizado a proceder à elaboração da documentação técnica.

## **[I] DICHIARAZIONE DI CONFORMITÀ CE**

I sottoscritti dichiarano che il veicolo per trasporti interni a macchina specificato soddisfa le Direttive Europee 2006/42/EC (Direttiva Macchine) e 2004/108/EEC (Compatibilità elettromagnetica - EMV) comprese le relative modifiche, come pure il rispettivo decreto legislativo per la conversione delle direttive in diritto nazionale. I sottoscritti sono singolarmente autorizzati alla creazione della documentazione tecnica.

## **[BG] ЕВРОПЕЙСКА ОБЩНОСТ - ДЕКЛАРАЦИЯ ЗА СЪОТВЕТСТВИЕ**

Подписаните удостоверяват с настоящето, че подробно описаното машина средство отговаря на европейския норматив 2006/42/EG (норматив за машини) и на 2004/108/EG (електро-магнетична съвместимост), включително с техните промени, както и на съответния указ за прилагане на нормативите в националното право. Подписаните при това са упълномощени поотделно да съставят техническата документация.

## **[CZ] EG - PROHLÁŠENÍ O SHODĚ**

Níže podepsaný tímto potvrzuje, že podrobný popis uvedené stroje odpovídá Evropským směrnicím 2006/42/EC (směrnice pro stroje) a 2004/108/EEC (elektromagnetická interference - EMV) včetně jejich pozdějších úprav, jakož i příslušným právním výnosům pro uplatnění příslušné směrnice v rámci národního práva. Každý z podepsaných jsou jednotlivě způsobilí k vytvoření technických podkladů.

## **[DK] EF-OVERENSSTEMMELSE SERKLÆRING**

Undertegnede attesterer hermed, at det specificerede maskine stemmer overens med de Europæiske Direktiver 2006/42/EU (maskindirektiv) og 2004/108/EØF (elektromagnetisk kompatibilitet - EMC) samt med den modsvarende lovvedtagelse til implementering af direktiver i den nationale lovgivning. De undertegnede er hver for sig beføjede til at sammenstille de tekniske dokumenter.

## **[EST] EL vastavusavaldus**

Allakirjutanud tõendavad käesolevaga, et üksikasjaliselt kirjeldatud täpsustatud masin vastab Euroopa direktiividele 2006/42/EÜ (Direktiiv masinate kohta) ja 2004/108/EMÜ (Elektromagnetiline sobivus - EMS) kaasa arvatud nende muudatused ja nende vastavatele õiguspärasele direktiivide muutmiseks siseriiklikuks õiguseks. Iga allakirjutanu üksikult on volitatud koostama tehnilist dokumentatsiooni.

## **[FIN] EU-YHDENMUKAISUUSLOSTUS**

Allekirjoittaneet todistavat täten, että kukin erikseen mainittu omalla voimalla tehdyillä varustetu tehdeskone vastaa EU-direktiivien 2006/42/EC (koneenrakennusdirektiivi) ja 2004/108/EEC (sähkömagneettinen yhteensopivuus – EMC) määräyksiä sekä niiden muutoksia ja niiden kansalliseen lainsäädäntöön soveltamista koskevaa oikeussäätöä. Jokaisella allekirjoittaneista on oikeus itsenäisesti laatia asiaankuuluvia teknisiä asiakirjoja.

## **[GR] ΔΗΛΩΣΗ ΣΥΜΜΟΡΦΩΣΗΣ ΕΟΚ**

Οι υπογράφωντες βεβαιώνουν διά της παρούσης ότι το συγκεκριμένο μηχάνημα συμμορφώνεται προς την Κοινοτική Οδηγία 2006/42/ΕΚ («Μηχανήματα») και 2004/108/ΕΟΚ (Ηλεκτρομαγνητικής Συμβατότητας, ΗΜΣ), καθώς και οι τροποποιήσεις τους, όπως μεταφράστηκε στην εθνική νομοθεσία των χωρών μελών. Οι υπογράφωντες είναι σε κάθε περίπτωση εξουσιοδοτημένοι ατομικά να καταρτίσουν τα τεχνικά έγγραφα.

## **[H] EU KONFORMITÁSI NYILATKOZAT**

Alulírottak ezennel igazolják, hogy a részletesen leírt a megadott gép megfelel a 2006/42/EC (Gép-Irányelv) és a 2004/108/EEC (Elektromágneses összeférhetőség - EMV) Európai Irányelveknek, beleértve azok módosításait, valamint az irányelvek nemzeti jogba történő átültetésére irányuló megfelelő jogi rendelkezést. Továbbá az alulírottak mindegyike rendelkezik meghatalmazással arra nézve, hogy összeállíthatja a műszaki dokumentációt.

## **[LT] ES atitikimo deklaracija**

Žemiau pasirašę asmenys patvirtina, kad atskirai aprašytas nurodyta mašina atitinka Europos Sąjungos direktyvas 2006/42/EB (Mašinų direktyva) ir 2004/108/EEB (Elektromagnetinis suderinamumas – EMS) įskaitant jų pakeitimus, o taip pat ir atitinkamą teisės aktą dėl direktyvų įgyvendinimo nacionalinėje teisėje. Kiekvienas iš pasirašusių asmenų turi teisę ruošti techninę dokumentaciją.

## **[LV] ES atbilstības deklarācija**

Ar zemāk redzamajiem parakstiem tiek apliecināts, ka norādīts mašina atbilst Eiropas Savienības normatīvām 2006/42/EG (Mašīnu normatīvas) un 2004/108/EEG (Elektromagnētiskā atbilstība – EMV), ieskaitot to izmaiņas, kā arī atbilstošos tiesiskos rīkojumus normatīvu pielāgošanai nacionālajai likumdošanai. Parakstu īpašnieki ir atsevišķi pilnvaroti sastādīt tehniskās dokumentācijas.

## **[N] EU-KONFORMITETSERKLÆRING**

Undertegnede bekræfter hermed at de enkelte betegnede maskin med kraftdrift tilsvare de europeiske retningslinjene 2006/42/EC (maskinretningslinje)

og 2004/108/EEC (elektromagnetisk fordraglighed - EMV) inklusiv disses endringer og den tilsvarende rettsforordning til omsetning av nasjonal rett. Hver undertegnede er fullmektig til å sette sammen de tekniske dokumentene.

### **[PL] DEKLARACJA ZGODNOŚCI WE**

Niżej podpisani deklarują, że poniżej opisana maszyna spełnia wymagania określone w dyrektywach Europejskich 2006/42/EC (Dyrektywa Maszynowa) i 2004/108/EEC (Kompatybilności elektromagnetycznej - EMC) wraz z ich późniejszymi zmianami oraz odpowiednimi rozporządzeniami mającymi na celu przeniesienie tych dyrektyw do prawa krajów członkowskich. Sygnatariusz jest indywidualnie upoważniony do zestawiania dokumentacji technicznej.

### **[RO] DECLARAȚIE DE CONFORMITATE CE**

Subsemnatii adevăresc prin prezenta că vehiculul de specificat mașină descris individual corespunde directivelor europene 2006/42/CE (Directiva privind mașinile) și 2004/108/CEE (Compatibilitatea electromagnetă - CEM) inclusiv modificărilor lor precum și actului legislativ corespunzător pentru transpunerea directivelor în drept național. Subsemnatii sunt fiecare în parte împuterniciți să întocmească documentația tehnică.

### **[RUS] Декларация соответствия стандартам ЕС**

Настоящим лица, подписавшие документ, удостоверяют, что машина с указанной спецификацией соответствует европейским стандартам 2006/42/EG (Транспортная директива) и 2004/108/EWG (Электромагнитная совместимость - EMC), включая изменения в них, а также соответствующим национальным стандартам и нормам. Каждое по отдельности лицо, подписавшее документ, имеет полномочия для составления технической документации.

### **[S] EG-KONFORMITETS FÖRKLARING**

Underteckarna intygar härmed att det i detalj betecknade maskin uppfyller de Europeiska direktiven 2006/42/EG (Maskindirektiv) och 2004/108/EEG (Elektromagnetisk tålighet - EMV), inklusive ändringarna i detta och den motsvarande rättsförordningen för att omsätta direktiven i nationell rätt. Underteckarna har var för sig fullmakt att sammanställa den tekniska dokumentationen.

### **[SK] vyhlásenie o zhode**

Dolu podpísaní týmto potvrdzujeme, že podrobný popis uvedené stroje zodpovedá Európskym smerniciam 2006/42/EC (ernica pre stroje) a 2004/108/EWG (elektromagnetická tolerancia – EMV) vrátane jeho neskorších úprav, rovnako zodpovedá aj príslušným právnym nariadeniam na uplatnenie smerníc v rámci národného práva. Každý z podpísaných je jednotlivo splnomocnený na vytvorenie technických podkladov.

### **[SLO] EU IZJAVA O SKLADNOSTI**

Podpisani s tem potrjujemo, da posamično označeno določeno stroj vozilo odgovarja Evropski direktivi 2006/42/EC (Direktiva o strojih) in 2004/108/EEC (Elektromagnetna skladnost - EMV) vključno z njihovimi spremembami ter ustrezno pravno uredbo o prevzemu smernic v nacionalno pravo. Podpisniki so vsakokrat posamezno pooblaščenici za izdajanje tehnične dokumentacije.

### **[TR] AB Uygunluk Açıklaması**

İmza sahibi şahıslar, ayrıntıları belirtilen makine aracının, 2006/42/EC (Makine Yönergesi) ve 2004/108/EEC (Elektromanyetik Uyumluluk – EMC) no'lu Avrupa Yönergelerine ve bunların değişiklik sonucu oluşan metinlerine ve yönergelerin milli hukuk hükümlerine dönüştürülmesine dair ilgili hukuk karamamesine uygun olduğunu tasdik ederler. İmza sahibi şahıslar teknik dosyaları bir araya getirmek için münferiden vekil tayin edildi.

- (1) Type/ Typ/ Tipo/ Modello/ Тууппи/ Tipo / ΤΥΠΟΣ/ Τίπος/ Τίπ/ Тип/ Tips/ Tipas/ Tüüp:
- (2) Serial No./ Serien-Nr./ N°. de série/ Seriennummer/ N° de serie/ Numero di serie/ Serienr./ Sarjanro/ αυξάνων αριθμός/ Serionév číslo/ Szériaszám/ Nr. Seryjny/ Serijska številka/ Výrobné číslo/ Серийный номер/ Seri No./ Seerianr./ Sērijas Nr./ Serijos numeris:
- (3) Year of constr./ Baujahr/ Année de constr./ Bouwjaar/ Año de constr./ Anno di costruzione/ Produktionsår/ Byggeår/ Tillverkningsår/ Valmistusvuosi / Ano de fabrico / έτος κατασκευής/ Rok výroby/ Gyártási év/ Rokprodukcji / Letnik / Год изготовления / Üretim yılı / Väijalaskaasta / Izgatavošanas gads / Gamybosmetai
- (4) Manufacturer or his authorized representative in Community/ Hersteller oder in der Gemeinschaft ansässiger Vertreter/ Fabricant ou son mandataire établi dans la Communauté/ Fabrikant of zijn in de Gemeenschap gevestigde gemachtigde/ Fabricante o representante establecido en la Comunidad/ Construtor ou Representante estabelecido na Comunidade/ Costruttore oppure il suo rappresentante nella Comunità/ Fabrikant eller dennesi Fællesskabet etablerede befuldmægtigede/ Produsent eller agent innen felleskapet/ Tillverkare eller representant inom EU/ Valmistaja tai yhteisömaassa oleva edustaja / V`robce nebo jeho zastoupení/ Gyártó / producent albo jego przedstawiciel w EG (Wspólnota Europejska)/ Κατασκευαστής ή όκνηνο ηνπηθώλ αληηπηζώπσλ/ Üretici ya da Bölgedeki Yetkili Temsilci/ Proizvajalec ali pooblaščen zastopnik s sedežem v EU/ Výrobca alebo zástupca so stálym bydliskom v EÚ / Изготовитель или его представитель, зарегистрированный в стране Содружества/ Tootja või organisatsioonis paiknev esindaja/ Ražotājs vai vietējais uzņēmuma pārstāvis / Gamintojas arba šalyje reziduojantis atstovas:
- (5) Date/ Datum/ Data/ Fecha/ datum/ Dato/ päiväys/ Kuupäev/ Datums/дата / Dátum/ dátum/ tarih/ ημερομηνία
- (6) Authorised signatory/ Im Auftrag/ pour ordre/ Incaricato/ Por orden de/ por procuração/ op last van/ på vegne af/ på uppdrag/ Etter oppdrag/ psta./ Ülesandel / pavedus / v. i. / По поручению / megbízásából / длъжностно лице / z pověření / z poverenia / po nalogu / na polecenie / din sarcina / adina / θαη' εληνηή

(1) Type: **XX XX – Self-propelled industrial truck**

(2) Serial No: **XXXXXXXX**

(3) Year of constr.: **YYYY**

(4) Manufacturer or his authorized representative in Community:  
**Company name/ Street / Postal code Town/ Country**

(5) Date: **YYYY-MM-DD**

(6) Authorized signatory: **Mr. Sample**

*If you can read this text, your declaration is not complete. In this case please ask for a copy*