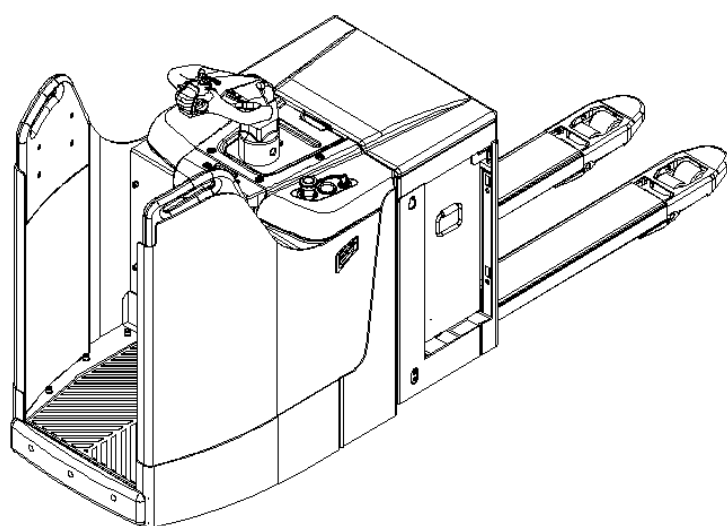
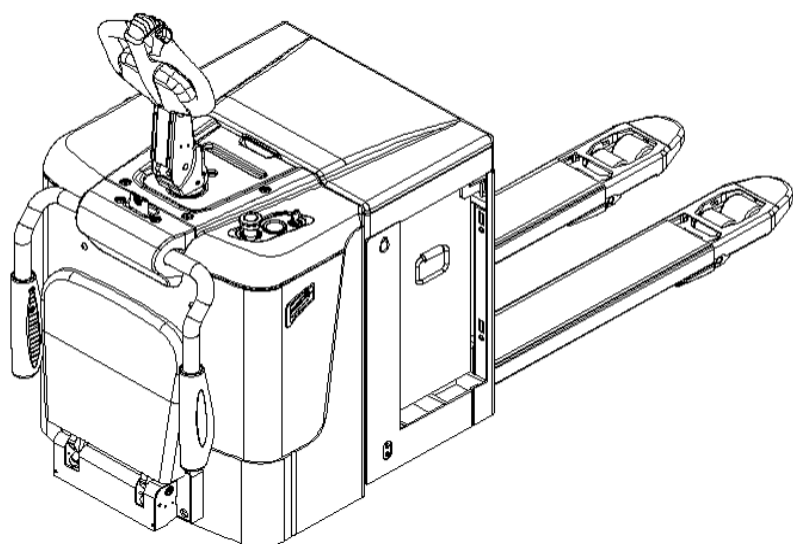


# SPAREPARTS LIST

## Electric Pallet Truck



Version 07/2014

From truck identification number:

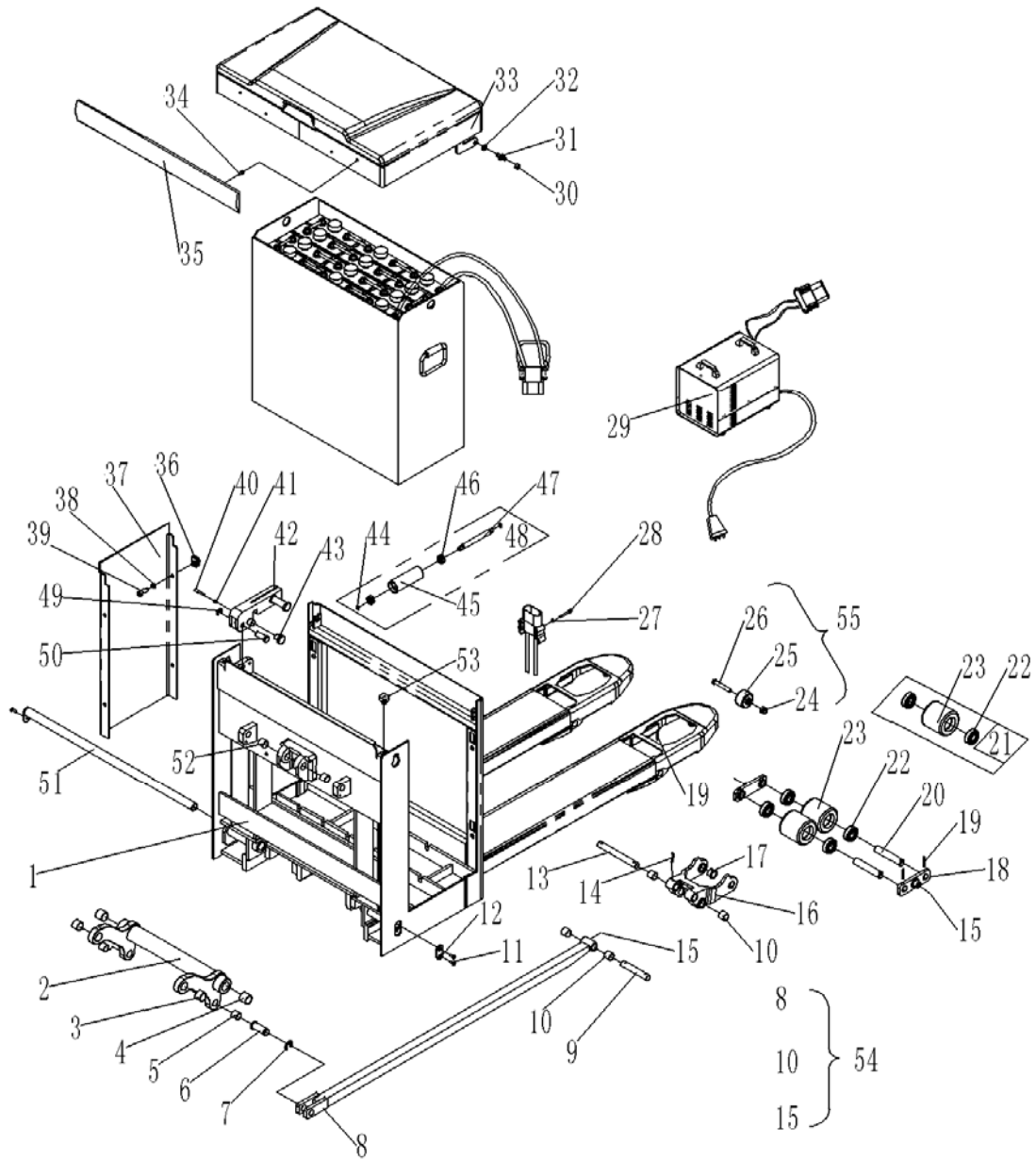
20130700013

PT 25P-BPT-001-EN

## Catalogue

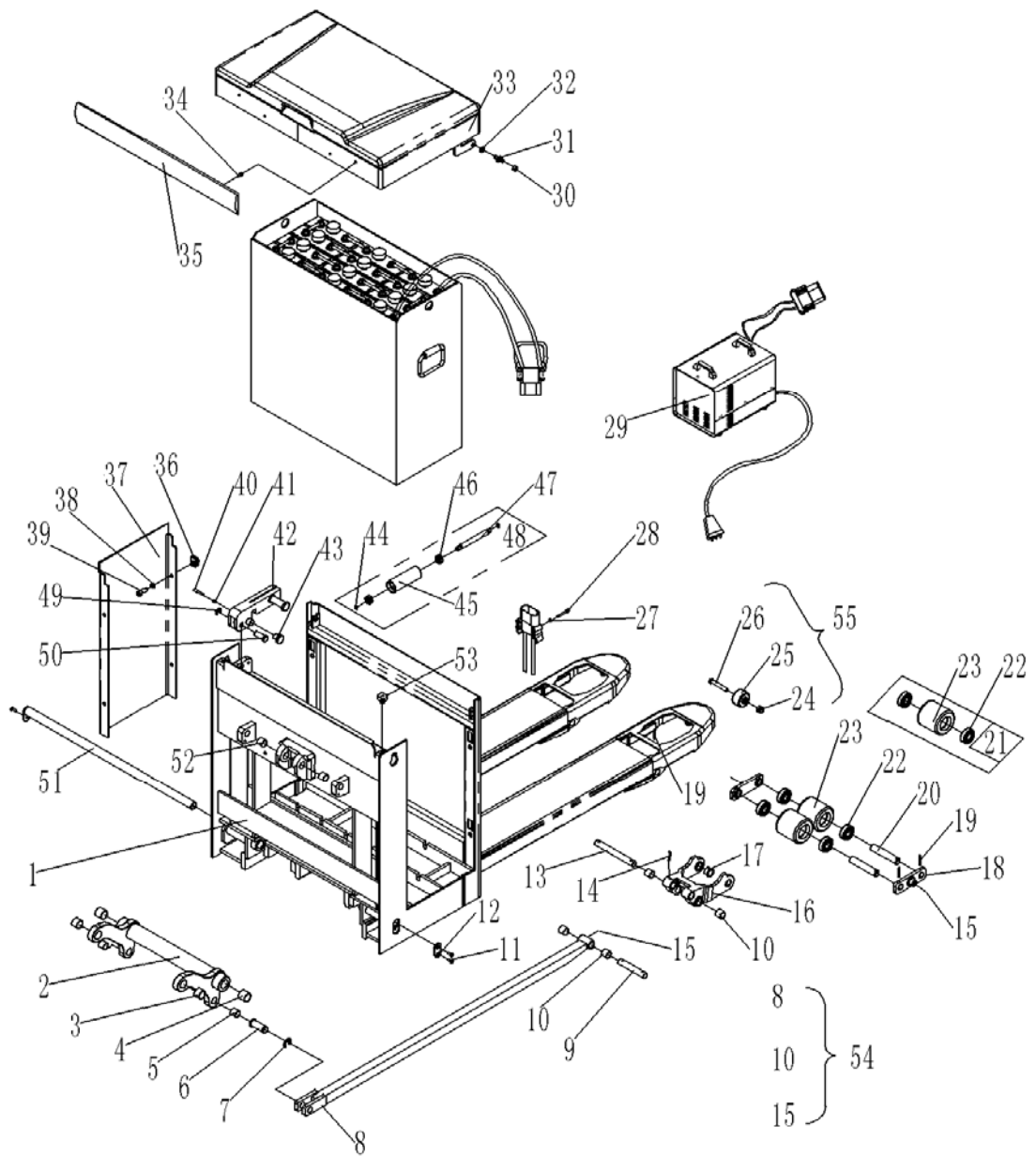
Fig.1 Frame assembly .....	1
Fig.2 Battery .....	5
Fig.3 Truck body assembly (Foldable) .....	6
Fig.4 Truck body assembly (Fixed) .....	10
Fig.5 Protective arm.....	14
Fig.6 Foldable platform .....	15
Fig.7 Steering wheel assembly .....	17
Fig.8 Electrical steering components (Foldable) .....	19
Fig.9 Electrical steering components (Fixed) .....	21
Fig.10 Instrument components .....	23
Fig.11 Hydraulic system (Foldable) .....	24
Fig.12 Hydraulic system (Fixed) .....	26
Fig.13 Pump system .....	28
Fig.14 Drive assembly .....	30
Fig.15 AC drive AC steer assembly .....	34
Fig.16 Tiller assembly (Foldable) .....	35
Fig.17 Tiller assembly (Fixed) .....	37
Fig.18 Canbus handle.....	39
Fig.19 Electric equipment assembly (Foldable) .....	41
Fig.20 Electric equipment assembly (Fixed) .....	43
Fig.21 Controller components.....	45
Fig.22 Cables.....	48
Fig.23 Label (for EU) .....	50
Fig.24 Label (for US) .....	52
Easy worn parts list.....	54

**Fig.1 Frame assembly**



**Fig.1 Frame assembly**

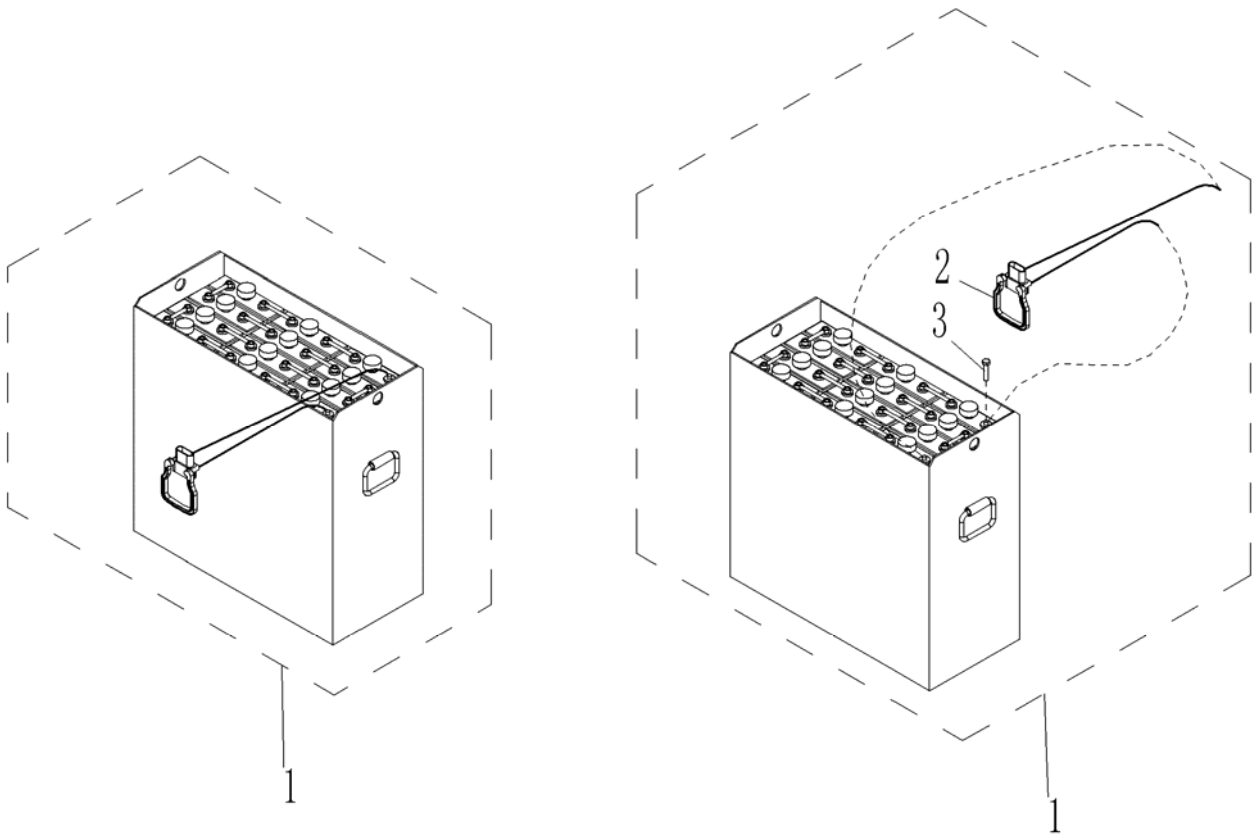
No.	Art No.	Item	Qty.	Note	Standard
1	9000008263	Chassis assembly	1		
	9000010336	Chassis assembly(685X1220)			
2	9000008044	Torsion bar assembly(540)	1		
	9000008906	Torsion bar assembly(685)			
3	0000013024	Bushing	2	25×28×20	
4	0000027006	Bushing	2	25×29×25	
5	0000013001	Bushing	4	20×23×20	
6	9000008272	Push rod fork shaft	2		
7	0000026001	Circlip	2	15	GB/T896
8	9000008271	Push rod assembly	2		
	9000010337	Push rod assembly(1220)			
9	9000008055	Push rod shaft	2		
10	0000027005	Bushing	8	20×22×12	
11	0000023091	Screw	3	M6×12	GB/T70.3= ISO10642
12	1000504001	Fixing plate	1		
13	9000008056	Lever block shaft	2		
14	0000028002	Dowel pin	2	5×30	GB/T879.1=ISO8752
15	0000030001	Oil cup	6	M6	JB/T7940.4
16	9000008054	Frame for load roller	2		
17	9000002333	Shoulder harness	4	18×20×12	
18	9000008077	Connecting plate	4		
19	0000028009	Dowel pin	4	5×35	GB/T879.1=ISO8752
20	9000008076	Spindle	4		
21	9000010037	Wheel kit	2		
22	0000027107	Bearing	8	6204-2Z	GB/T276
23	9000008792	Load roller	4	82× 82	
24	0000023005	Lock nut	2	M10	GB/T889.1=ISO7040
25	1000516001	Enter roller	2	L60-2.1_B	
26	0000023004	Bolt	2	M10×60	GB/T5782=ISO4014
27	0000025006	Washer	2	6	GB/T93
28	0000023719	Screw	2	M6×50	GB/T70.1=ISO4762
29	9000010014	Charger (Asia in Chinese)	1	24V/55A	
	9000010015	Charger (Asia in English)	1	24V/55A	



**Fig. 1 Frame assembly**

No.	Art No.	Item	Qty.	Note	Standard
29	9000010016	Charger (For EU)	1	24V/55A	
	9000010017	Charger (For AUS)	1	24V/55A	
	9000010018	Charger (For UK)	1	24V/55A	
	9000010019	Charger (For USA)	1	24V/55A	
30	9000008047	Rubber ring	2		
31	9000008057	Chain shaft	2		
32	0000024012	Nut	2	M10	GB/T6173=ISO8675
33	9000008269	Battery cover assembly	1		
34	0000023042	Screw	4	M6×10	GB/T70.1=ISO4762
35	9000008266	Gap plate	1		
36	9000007783	Nut	4	M10	
37	9000008270	Door plank	1		
38	0000023006	Washer	4	10	GB/T93
39	0000023088	Screw	4	M10×25	GB/T70.1=ISO4762
40	9000008264	Pin head	1		
41	9000007788	Spring	1		
42	9000008267	Battery cover lock	1		
43	9000008265	Handle	1		
44	0000026004	Circlip	12	15	GB/T894.1
45	2410411001	Barrel	6		
46	0000027060	Bearing	12	6202	GB/T276
47	2410407001	Shaft	6		
48	2410400001	Roller	6		
49	0000026052	Circlip	1	12	GB/T896
50	9000008268	Fixing shaft	1		
51	9000008048	Torsion bar shaft assembly	1		
52	0000013001	Bushing	2	20×23×20	
53	9000008340	Suspension rubber	2		
54	9000010430	Push rod kit	2	1150	
	9000010431	Push rod kit		1220	
55	9000010400	enter roller kit	2		

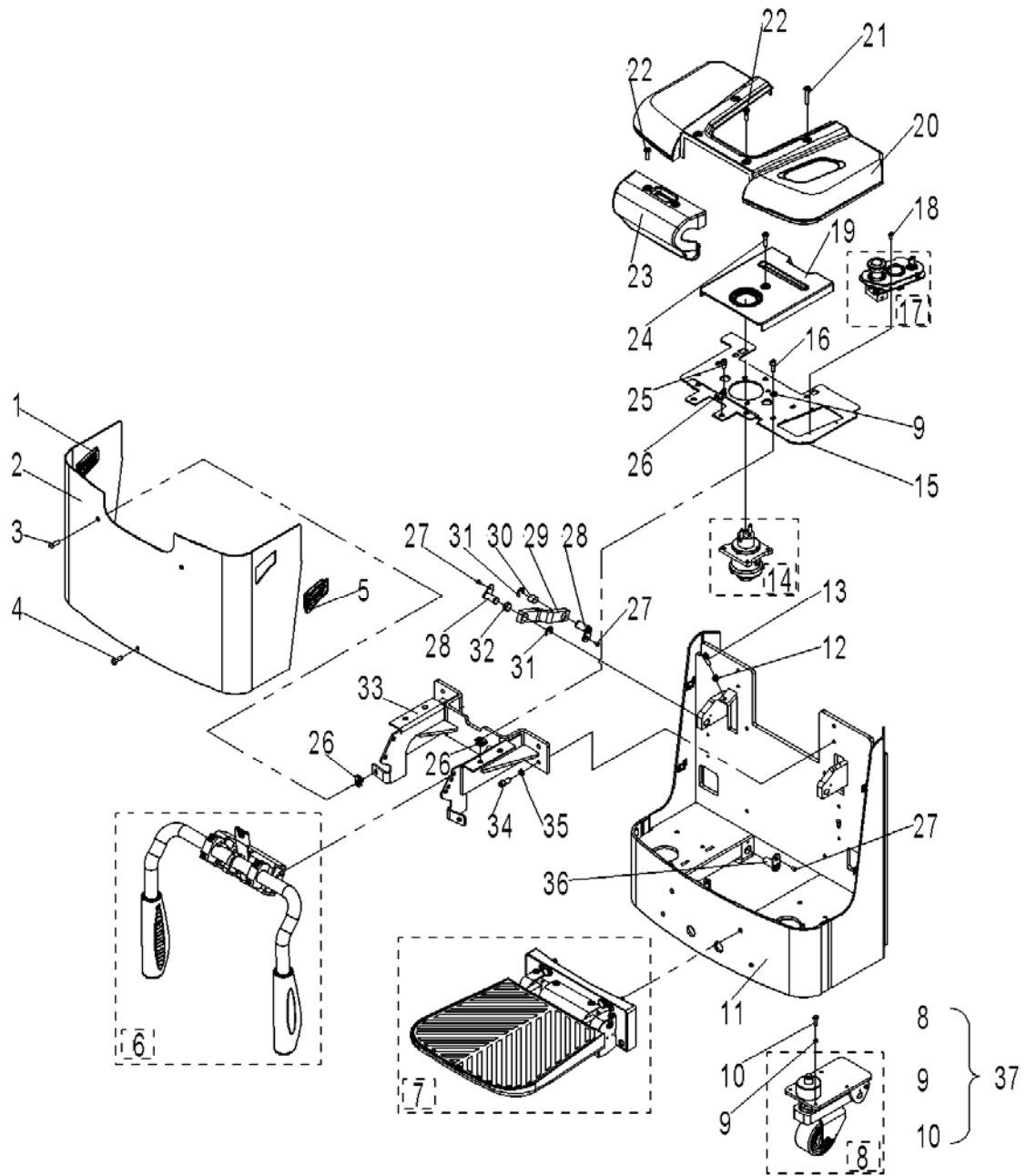
**Fig.2 Battery**



**Fig. 2 Battery**

No.	Art No.	Description	Qty.	Note	Standard
1	9000008293	Battery (Bolt type)	1	Bolt type	
	9000010035	Battery		Weld type	
2	9000010038	Connector	1	Only for bolt type battery	
3	9000009832	Screw	24	Only for bolt type battery	

**Fig.3 Truck body assembly (Foldable)**

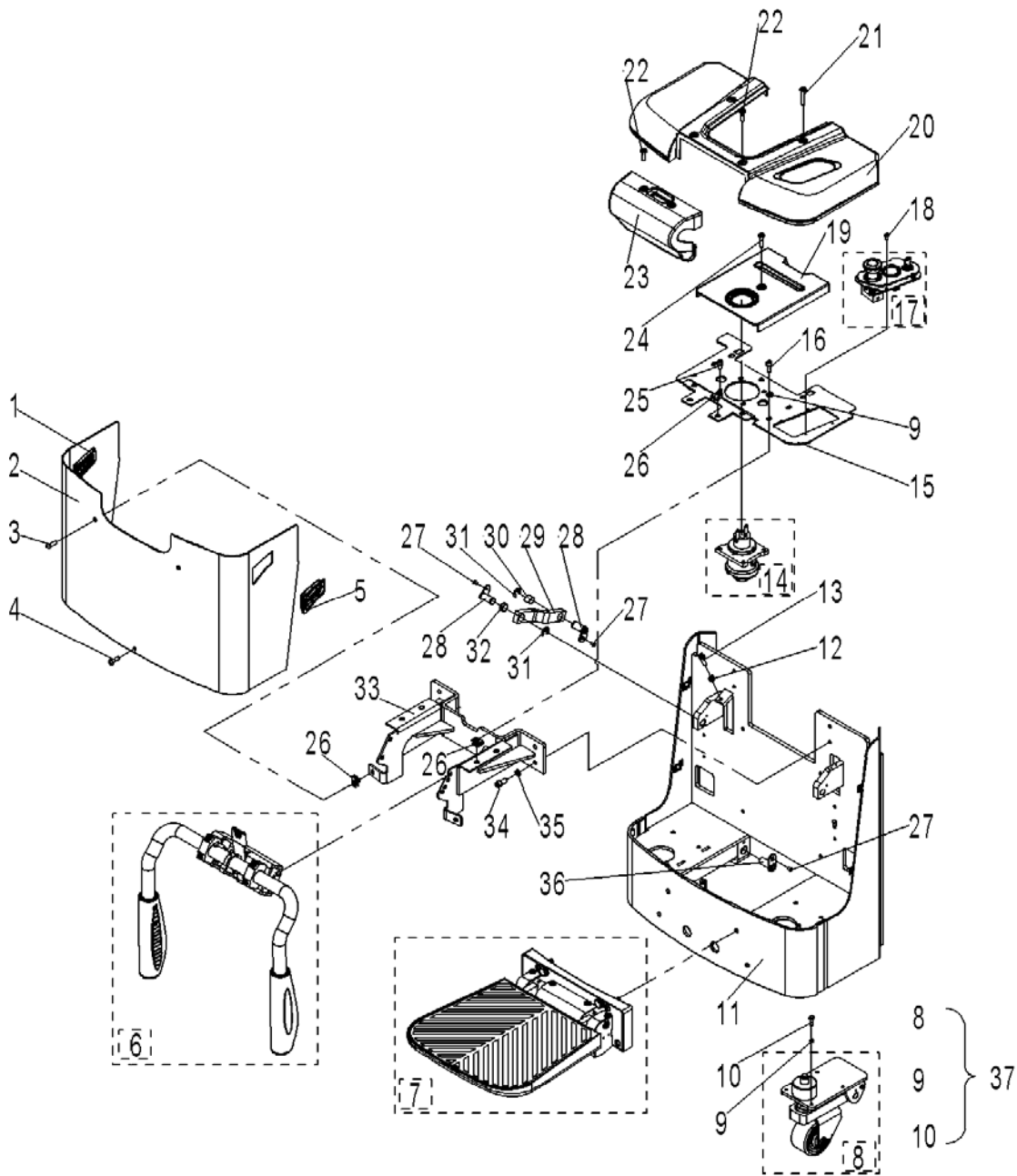




**Fig.3 Truck body assembly (Foldable)**

No.	Art No.	Item	Qty.	Note	Standard
1	9000007920	Left vent components	1		
2	9000008732	Main cover	1		
3	1000423003	Screw	2	M10X30	tailor- made
4	2000423001	Screw	1	M10X15	tailor- made
5	9000007923	Right vent components	1		
6	9000007891	Protective arm	1		
7	9000007862	Pedal components	1		
8	9000008273	Steering wheel assembly	2		
9	0000023006	Washer	8	10	GB/T93
10	0000023222	Bolt	8	M10×25	GB/T5783=ISO4017
11	9000008733	Truck body	1		
12	0000024013	Nut	1	M10	GB/T6170= ISO4032
13	0000023029	Screw	1	M10×35	GB/T70.1=ISO4762
14	9000008734	Electric steering components	1		
15	9000010279	Top board	1		
16	0000023088	Screw	10	M10×25	GB/T70.1=ISO4762
17	9000007940	Instrument components	1		
18	0000023053	Screw	4	M6×12	GB/T70.1=ISO4762
19	9000008285	Middle cover	1		
20	9000008286	Top cover	1		
21	9000007790	Screw	2	M10×55	tailor- made
22	9000007791	Screw	4	M10×35	tailor- made
23	9000008063	Protective arm cover	1		
24	9000007792	Screw	1	M10×45	tailor- made
25	0000023080	Screw	4	M10×16	GB/T70.1=ISO4762
26	9000007783	Nut	12	M10	
27	0000023091	Screw	6	M6×12	GB/T70.3=ISO10642
28	9000008287	Fixing shaft components	4		
29	9000008060	Connecting rod	2		
30	1000413001	Bushing	2	20×23×15	
31	0000026001	Circlip	4	15	GB/T896

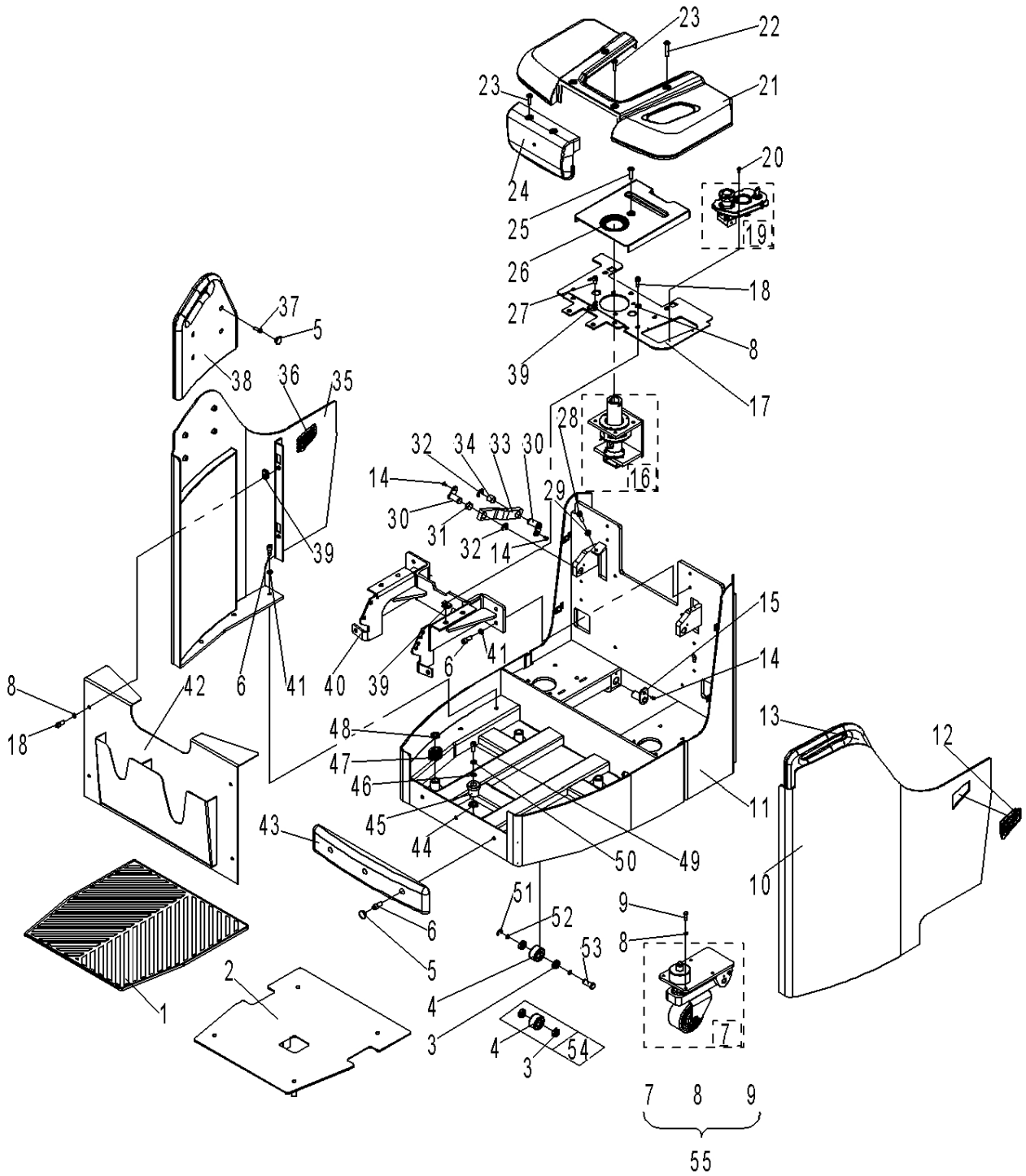
**Fig.3 Truck body assembly (Foldable)**



**Fig.3 Truck body assembly (Foldable)**

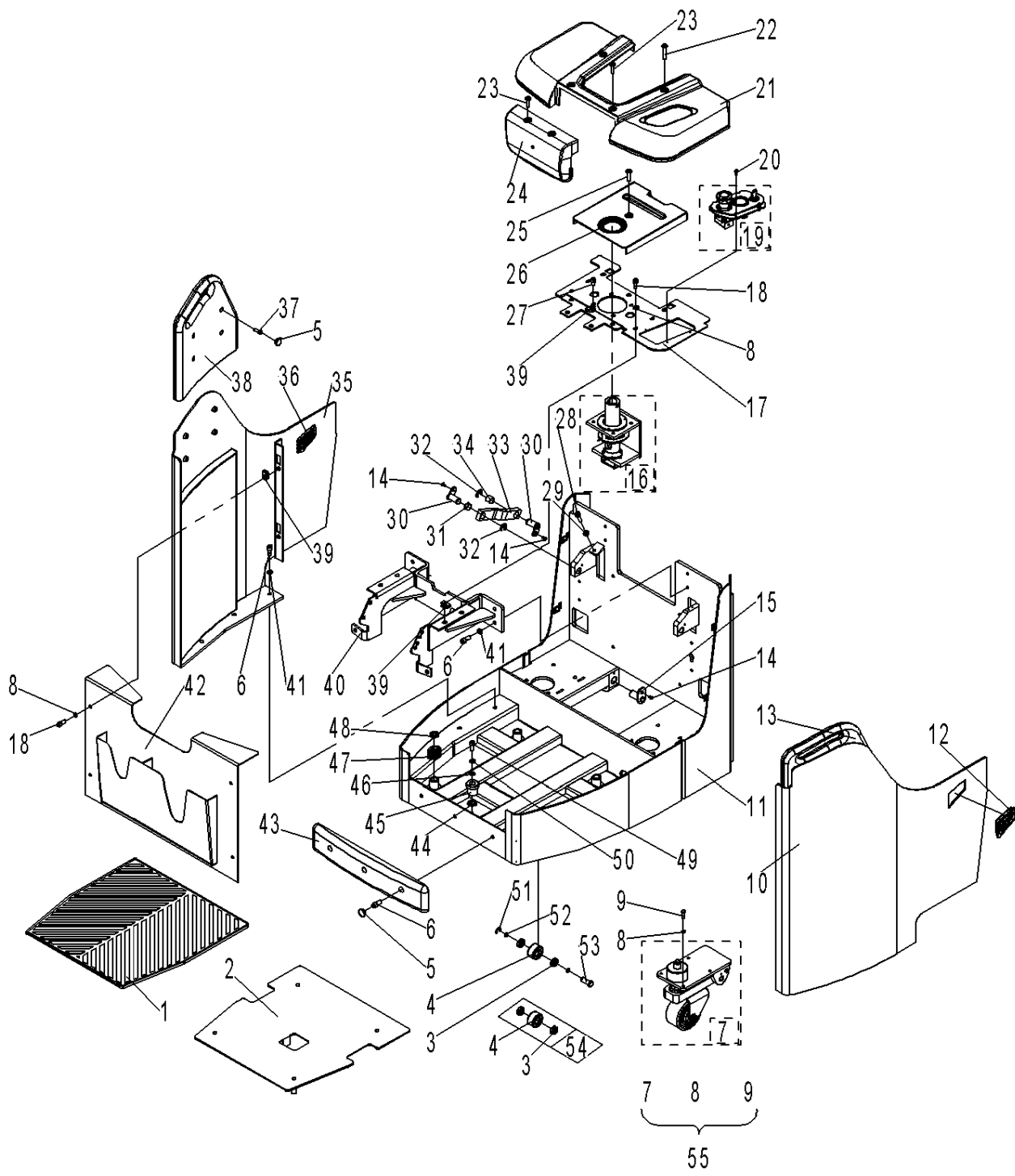
No.	Art No.	Item	Qty.	Note	Standard
32	9000007801	Shoulder harness	2	20×23×15	
33	9000008282	Protective arm assembly board	1		
34	0000023142	Screw	4	M12×25	GB/T70.1=ISO4762
35	0000025024	Washer	4	12	GB/T93
36	9000008281	Fixing shaft components	2		
37	9000010432	Steering wheel kit	2		

**Fig.4 Truck body assembly (Fixed)**



**Fig. 4 Truck body assembly (Fixed)**

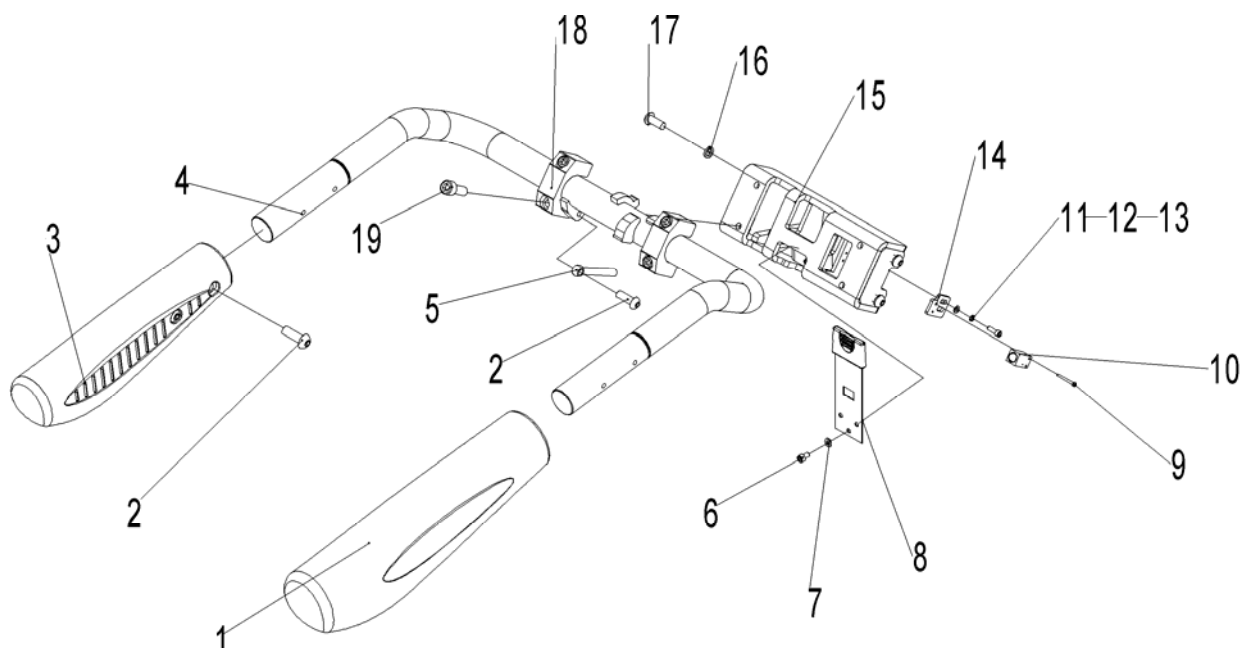
No.	Art No.	Description	Qty.	Note	Standard
1	9000008305	Rubber pad	1		
2	9000008303	Pedal components	1		
3	0000027068	Bearing	2	6203	GB/T276=ISO3290
4	9000010044	Supporting wheel	1		
5	9000008298	Bushing	11		
6	0000023156	Screw	13	M12×25	GB/T70.1=ISO4762
7	9000008273	Steering wheel assembly	2		
8	0000023006	Washer	8	10	GB/T93
9	0000023222	Bolt	8	M10×25	GB/T5783=ISO4017
10	9000008301	Right ring components	1		
11	9000008294	Truck body components	1		
12	9000007923	Right vent components	1		
13	9000008307	Right protective backrest	1		
14	0000023091	Screw	6	M6×12	GB/T70.3=ISO10642
15	9000008281	Fixing shaft components	2		
16	9000008309	Steering wheel components	1		
17	9000008300	Top board	1		
18	0000023088	Screw	10	M10×25	GB/T70.1=ISO4762
19	9000007940	Instrument components	1		
20	0000023053	Screw	4	M6×12	GB/T70.1=ISO4762
21	9000008286	Top cover	1		
22	9000007790	Screw	2	M10×55	taylor- made
23	9000007791	Screw	4	M10×35	taylor- made
24	9000008064	Without protective arm cover	1		taylor- made
25	9000007792	Screw	1	M10×45	
26	9000008285	Middle cover	1		
27	0000023080	Screw	4	M10×16	GB/T70.1=ISO4762
28	0000023029	Screw	1	M10×35	GB/T70.1=ISO4762
29	0000024013	Nut	1	M10	GB/T6170= ISO4032
30	9000008287	Fixing shaft components	4		
31	9000007801	Shoulder harness	2	20×23×15	



**Fig. 4 Truck body assembly (Fixed)**

No.	Art No.	Description	Qty.	Note	Standard
32	0000026001	Circlip	4	15	GB/T896
33	9000008060	Connecting rod	2		
34	1000413001	Bushing	2	20×23×15	
35	9000008302	Left ring assembly	1		
36	9000007920	Left vent assembly	1		
37	0000023044	Screw	8	M8×20	GB/T70.1=ISO4762
38	9000008306	Left protective backrest	1		
39	9000007783	Nut	17	M10	
40	9000008282	Protective arm assembly board	1		
41	0000025024	Washer	10	12	GB/T93
42	9000008304	Main cover assembly	1		
43	9000008296	Protective rubber block	1		
44	9000010045	Washer	1		
45	9000008469	Anti vibration pad	1		
46	0090000046	Washer	1	8	GB/T97.1
47	9000007787	Spring	4		
48	9000008295	Rubber ring	4		
49	0000023602	Screw	1	M8x45	GB/T70.1=ISO4762
50	0000025001	Washer	1	8	GB/T93
51	0000026005	Circlip	1	17	GB/T894.1
52	0000025144	Washer	2	18x3	GB/T95
53	9000008297	Supporting wheel shaft	1		
54	9000010043	Wheel kit	1		
55	9000010432	Steering wheel kit	2		

**Fig.5 Protective arm**

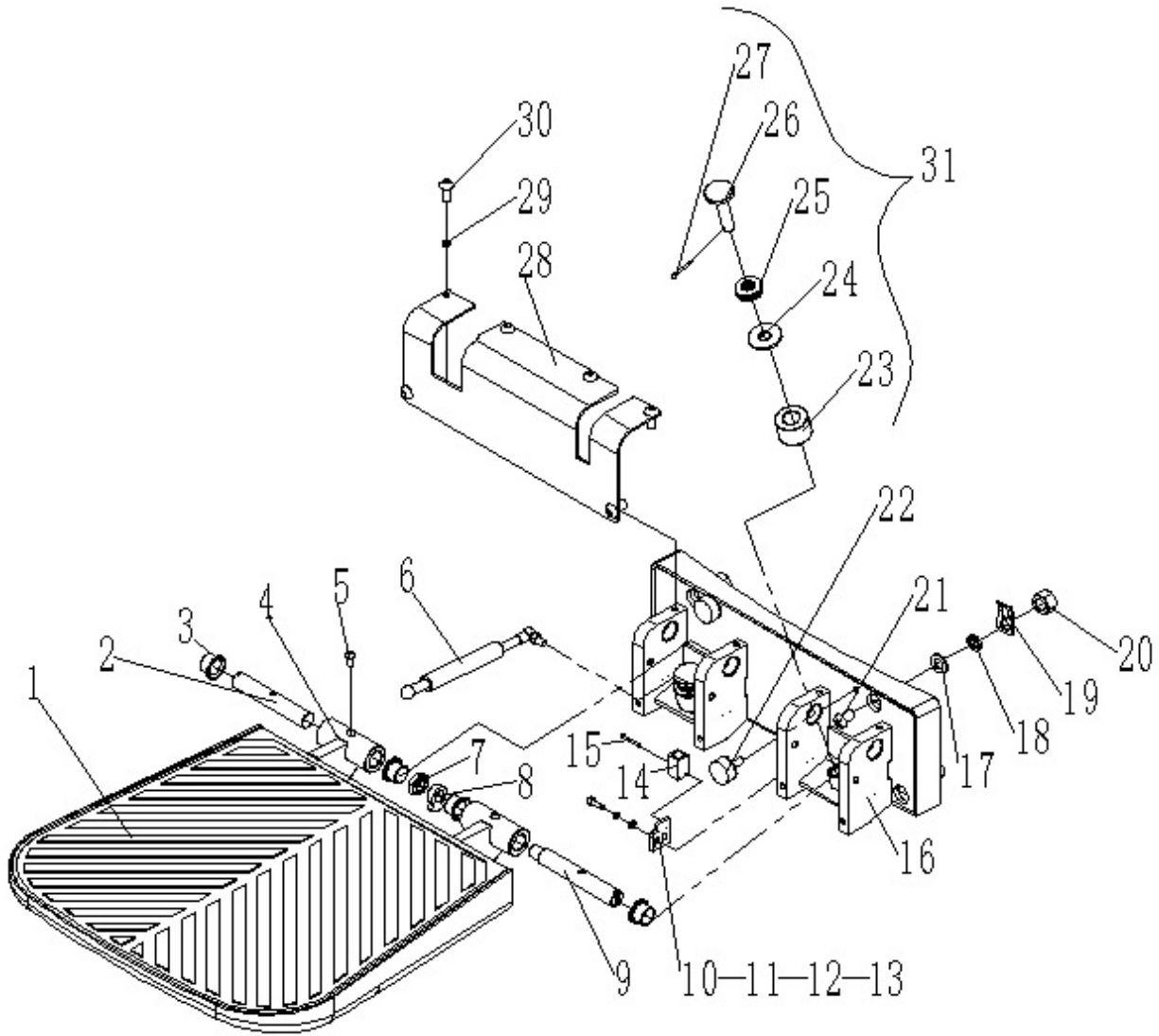


**Fig. 5 Protective arm**

No.	Art No.	Description	Qty.	Note	Standard
1	9000007895	Right protective arm cover	1		
2	0090000448	Screw	5	M8×20	GB/T70.2=ISO7380
3	9000007896	Left protective arm cover	1		
4	9000007894	Welded protective arm	1		
5	9000007780	Air spring	1		
6	0000023045	Screw	3	M6×12	GB/T70.2=ISO7380
7	0000025010	Washer	3	6	GB/T93
8	9000007897	Positioning spring	1		
9	0000023075	Screw	2	M3×20	GB/T70.1=ISO4762
10	9000008329	Proximity switch	1	NBN5-F7-E5	
11	0000025012	Washer	2	5	GB/T93
12	0000023032	Washer	2	5	GB/T95
13	0000023107	Screw	2	M5×16	GB/T70.1=ISO4762
14	9000009799	Switch transition plate	1		
15	9000007892	Welded protective arm seat	1		
16	0000023006	Spring washer	4	10	GB/T93
17	0090000447	Screw	4	M10×25	GB/T70.2=ISO7380
18	9000007893	Protective arm block	2		
19	0000023099	Screw	4	M10×45	GB/T70.1=ISO4762



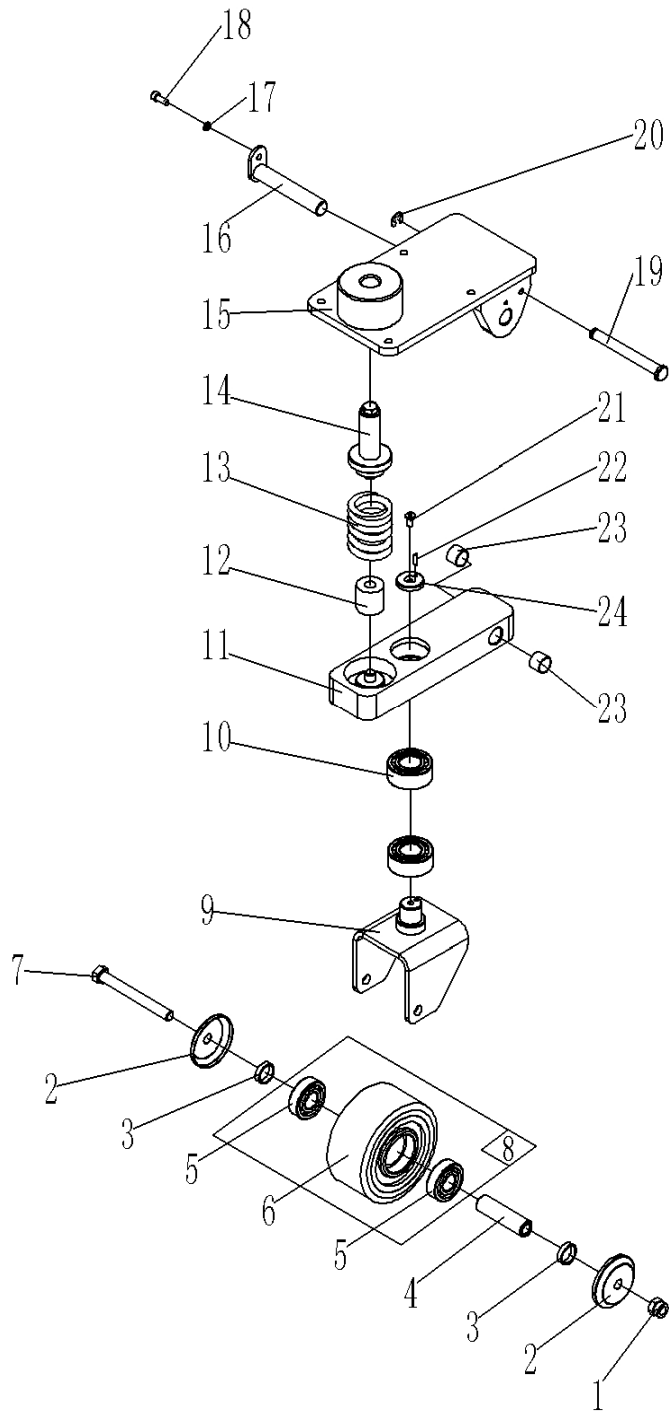
Fig.6 Foldable platform



**Fig. 6 Foldable platform**

No	Art No.	Description	Qty.	Note	Standard
1	9000007867	Pedal pad	1		
2	9000007869	Rotating shaft	1		
3	9000007799	Shoulder harness	4	Ø20×Ø23×16.5	
4	9000007863	Welded foot platform	1		
5	0000023555	Screw	2	M6×16	GB/T70.2=ISO7380
6	2000421001	Air spring	1		
7	0000024014	Nut	1	M16×1.5	GB/T6173 =ISO8675
8	9000007873	Cam	1		
9	9000007866	Cam shaft	1		
10	0000025012	Washer	2	5	GB/T93
11	0000023032	Washer	2	5	GB/T95
12	0000023107	Screw	2	M5×16	GB/T70.1=ISO4762
13	9000009799	Switch transition plate	1		
14	9000008328	Proximity switch	1	NBN5-F7-E5	
15	0000023075	Screw	2	M3×20	GB/T70.1=ISO4762
16	9000007864	Welded assembly seat	1		
17	0090000048	Washer	4	12	GB/T97.1
18	0000025024	Washer	4	12	GB/T93
19	9000007874	Line hanging board	1		
20	0000024006	Lock nut	4	M12	GB/T889.1=ISO7040
21	0090000450	Screw	4	M12×45	GB/T70.2=ISO7380
22	9000007865	Damping pad	2		
23	9000007872	Anti-vibration pad	2		
24	9000007871	Anti-vibration washer	2		
25	0000031001	Spring	8	Ø16.3×Ø31.5×1.75	GB/T1972
26	9000007870	Fixed bolt	2		
27	0000028033	Split pin	2	Ø3.2×20	GB/T91
28	9000007868	Assembly seat cover	1		
29	0000025010	Washer	6	6	GB/T93
30	0000023045	Screw	6	M6×12	GB/T70.2=ISO7380
31	9000008897	Suspension components	2		

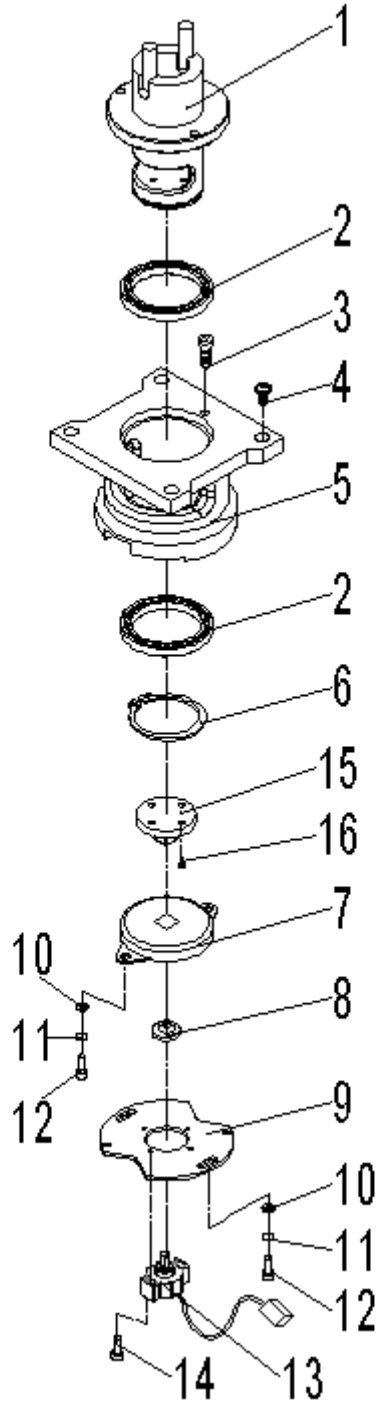
**Fig.7 Steering wheel assembly**



**Fig. 7 Steering wheel assembly**

No.	Art No.	Item	Qty.	Note	Standard
1	0000024085	Lock nut	1	M12	GB/T889.1=ISO7040
2	9000008279	Dust cover	2		
3	1000425003	Washer	2	SL20.2.3-8	
4	9000008278	Shaft sleeve	1		
5	0000027001	Bearing	2	6204	GB/T276=ISO3290
6	2020416001	Castor	1	124×60	
7	0000023336	Bolt	1	M12×110	GB/T5782=ISO4014
8	9000003638	Wheel kit	1		
9	9000008277	Wheel frame components	1		
10	0000027069	Bearing	1	30205	GB/T297
11	9000008276	Rotating arm components	1		
12	1000419001	PU spring	1	LPT20.2.3-1	
13	1000431001	Spring	1	LPT20.2.3-2A	
14	9000008274	Adjusting bolt	1		
15	9000008275	Baseplate assembly	1		
16	9000008280	Fixing shaft	1		
17	0000025010	Washer	1	6	GB/T93
18	0000023040	Screw	1	M6×16	GB/T70.1=ISO4762
19	9000010036	Limiting shaft	1		
20	0000026079	Circlip	1	9	GB/T896
21	1000523002	Screw	1	M6×14T	
22	0000028004	Pin	1	4×14	GB/T119.2=ISO2338
23	9000007795	Bushing	2	18×20×10	
24	1000426001	Circlip	1	SL20.2.3-11	

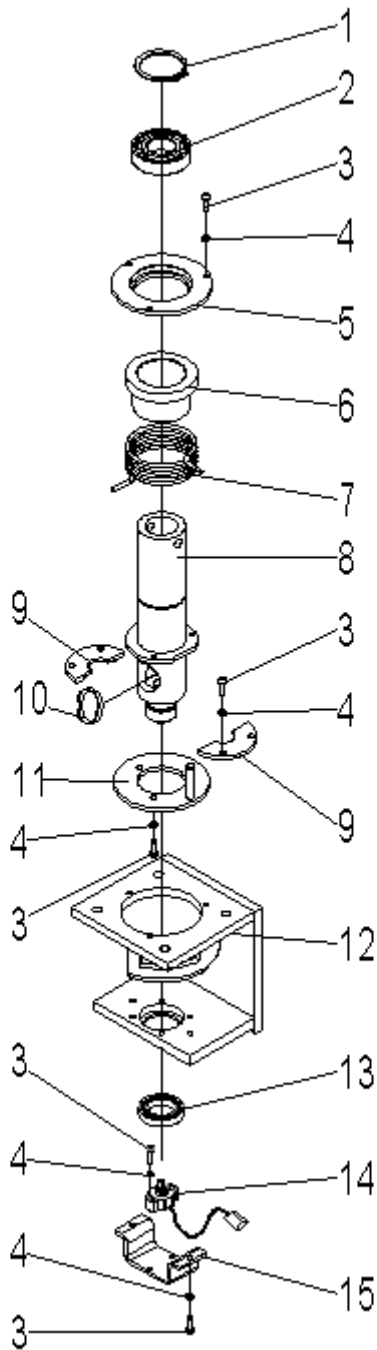
Fig.8 Electrical steering components (Foldable)



**Fig.8 Electrical steering components (Foldable)**

No.	Art No.	Item	Qty.	Note	Standard
1	9000007422	Welded bearing seat	1		
2	9000000240	Bearing	2	61810	GB/T276=ISO3290
3	0000023042	Screw	3	M6X10	GB/T70.1=ISO4762
4	0000023034	Screw	4	M10x20	GB/T70.1=ISO4762
5	9000007423	Welded fixing seat	1		
6	0000026043	Circlip	1	50	GB/T894.1
7	9000000244	Damper	1		
8	9000008736	Transition linking block	1		
9	9000008735	Potentiometer fixing plate	1		
10	0000023032	Washer	4	5	GB/T95
11	0000025022	Washer	4	5	GB/T93
12	0000023311	Screw	4	M5X10	GB/T70.1=ISO4762
13	9000010209	Potentiometer	1	PSC360-F2AA	
14	0000023853	Screw	2	M4X16	GB/T70.1=ISO4762
15	9000007424	Nylon block	1		
16	0000023073	Screw	4	M4x10	GB/T70.1=ISO4762

**Fig.9 Electrical steering components (Fixed)**

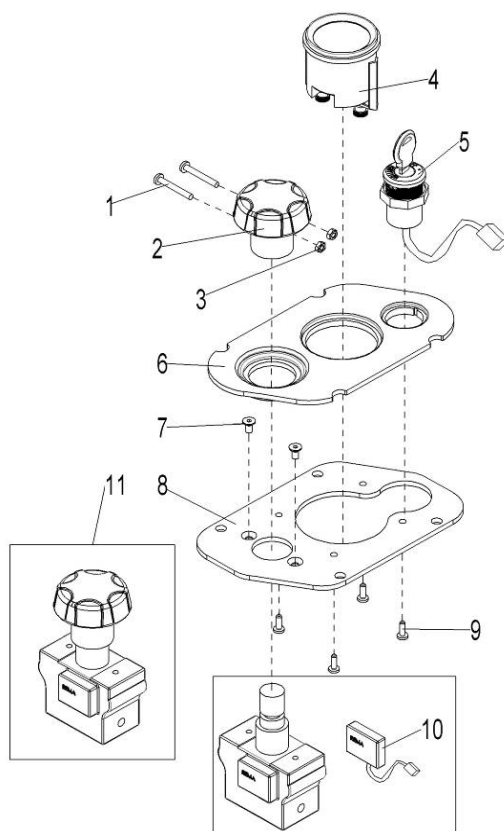


**Fig. 9 Electrical steering components (Fixed)**

No.	Art No.	Description	Qty.	Note	Standard
1	0000026043	Circlip	1	50	GB/T894.1
2	0000027109	Bearing	1	71810C	GB/T292
3	0000023675	Screw	12	M5×16	GB/T70.2=ISO7380
4	0000025015	Washer	12	5	GB/T93
5	9000008316	Bearing seat	1		
6	9000008310	Nylon cover	1		
7	9000007789	Torsional spring	1		
8	9000008311	Welded rotating axle	1		
9	9000008315	Bearing cover plate	2		
10	2070418001	Bushing	1		
11	9000008312	Welded locating plate	1		
12	9000008313	Welded tiller seat	1		
13	0000027108	Bearing	1	61906	GB/T276=ISO3290
14	9000010209	Potentiometer	1	PSC360-F2AA	
15	9000008314	Potentiometer assembly plate	1		



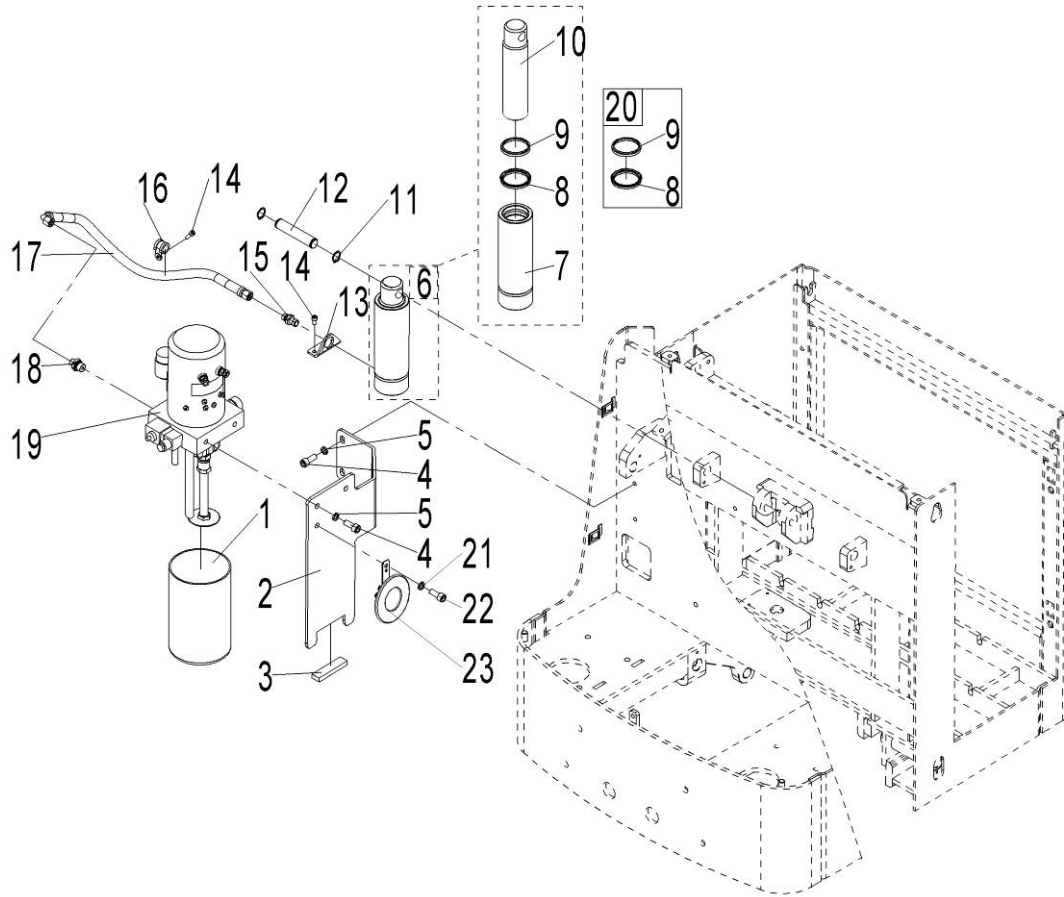
**Fig.10 Instrument components**



**Fig. 10 Instrument components**

No.	Art No.	Description	Qty.	Note	Standard
1	0000023685	Screw	2	M3×25	GB/T818= ISO7045
2	9000008516	DC power switch	1		
3	0000024002	Nut	2	M3	GB/T6170= ISO4032
4	9000000760	Indicator	1		
5	9000010241	Key switch	1		
6	9000007938	Plastic plate	1		
7	0000023215	Screw	2	M5×10	GB/T70.3=ISO10642
8	9000007939	Fixing plate	1		
9	0090000272	Screw	4	M4×12	GB/T6560
10	9000008517	Micro switch	1		
11	9000008515	Power switch	1		

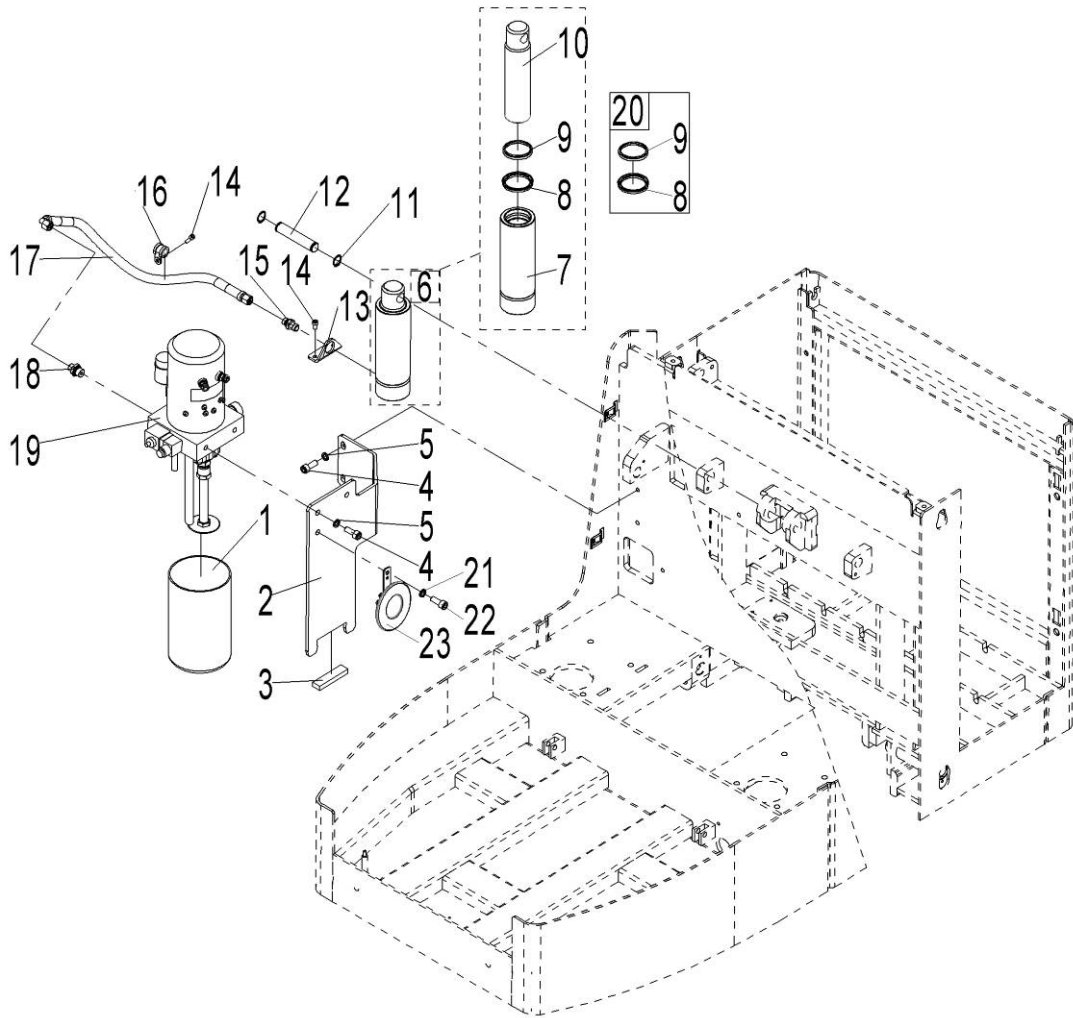
Fig.11 Hydraulic system (Foldable)



**Fig. 11 Hydraulic system (Foldable)**

No.	Parts No.	Item	Qty.	Note	Standard
1	9000007860	Hydraulic cylinder	1		
2	9000008288	Pump station assembly board	1		
3	9000008289	Anti-vibration pad	1		
4	0000023034	Screw	4	M10×20	GB/T70.1=ISO4762
5	0000023006	Washer	4	10	GB/T93
6	1020300001	Cylinder components	1		
7	1020301001	Cylinder body	1		
8	0000022112	Y seal ring	1	50×60×8	GB/T10708.1
9	0000022031	Dust ring	1	50×58×6.5	GB/T10708.3
10	1020300003	Piston rod	1		
11	0000026003	Circlip	2	20	GB/T894.1
12	1020407001	Pin roll	1		
13	1020404005	Cylinder fixing frame	1		
14	0000023053	Screw	3	M6×12	GB/T70.1=ISO4762
15	9000007843	Straight joint	1		
16	9000008324	YGE hose clamp	1		
17	9000007824	90° tube assembly	1		
18	9000007831	G straight joint	1		
19	2000300001	DC power unit	1		
20	9000003639	Seal kit	1		
21	0000025001	Washer	1	8	GB/T93
22	0000023415	Screw	1	M8×10	GB/T70.1=ISO4762
23	1000434015	Horn	1	DC24V	

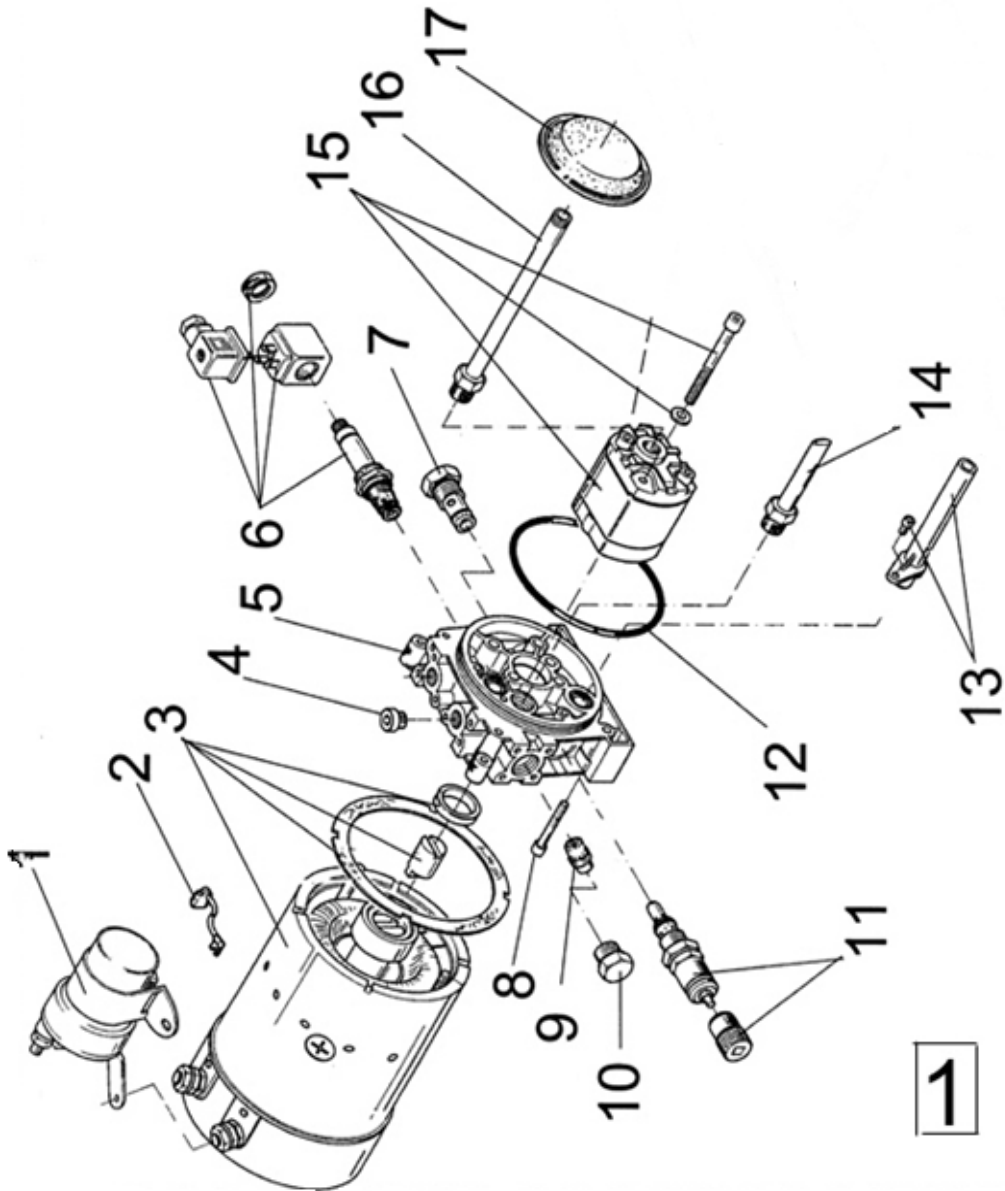
Fig.12 Hydraulic system (Fixed)



**Fig. 12 Hydraulic system (Fixed)**

No.	Parts No.	Description	Qty.	Note	Standard
1	9000007860	Hydraulic cylinder	1		
2	9000008288	Pump station assembly board	1		
3	9000008289	Anti-vibration pad	1		
4	0000023034	Screw	4	M10×20	GB/T70.1=ISO4762
5	0000023006	Washer	4	10	GB/T93
6	1020300001	Cylinder components	1		
7	1020301001	Cylinder body	1		
8	0000022112	Y seal ring	1	50×60×8	GB/T10708.1
9	0000022031	Dust ring	1	50×58×6.5	GB/T10708.3
10	1020300003	Piston rod	1		
11	0000026003	Circlip	2	20	GB/T894.1
12	1020407001	Pin roll	1		
13	1020404005	Cylinder fixing frame	1		
14	0000023053	Screw	3	M6×12	GB/T70.1=ISO4762
15	9000007843	Straight joint	1		
16	9000008324	YGE hose clamp	1		
17	9000007824	90° tube assembly	1		
18	9000007831	G straight joints	1		
19	2000300001	DC power unit	1		
20	9000003639	Seal kit	1		
21	0000025001	Washer	1	8	GB/T93
22	0000023415	Screw	1	M8×10	GB/T70.1=ISO4762
23	1000434015	Horn	1	DC24V	

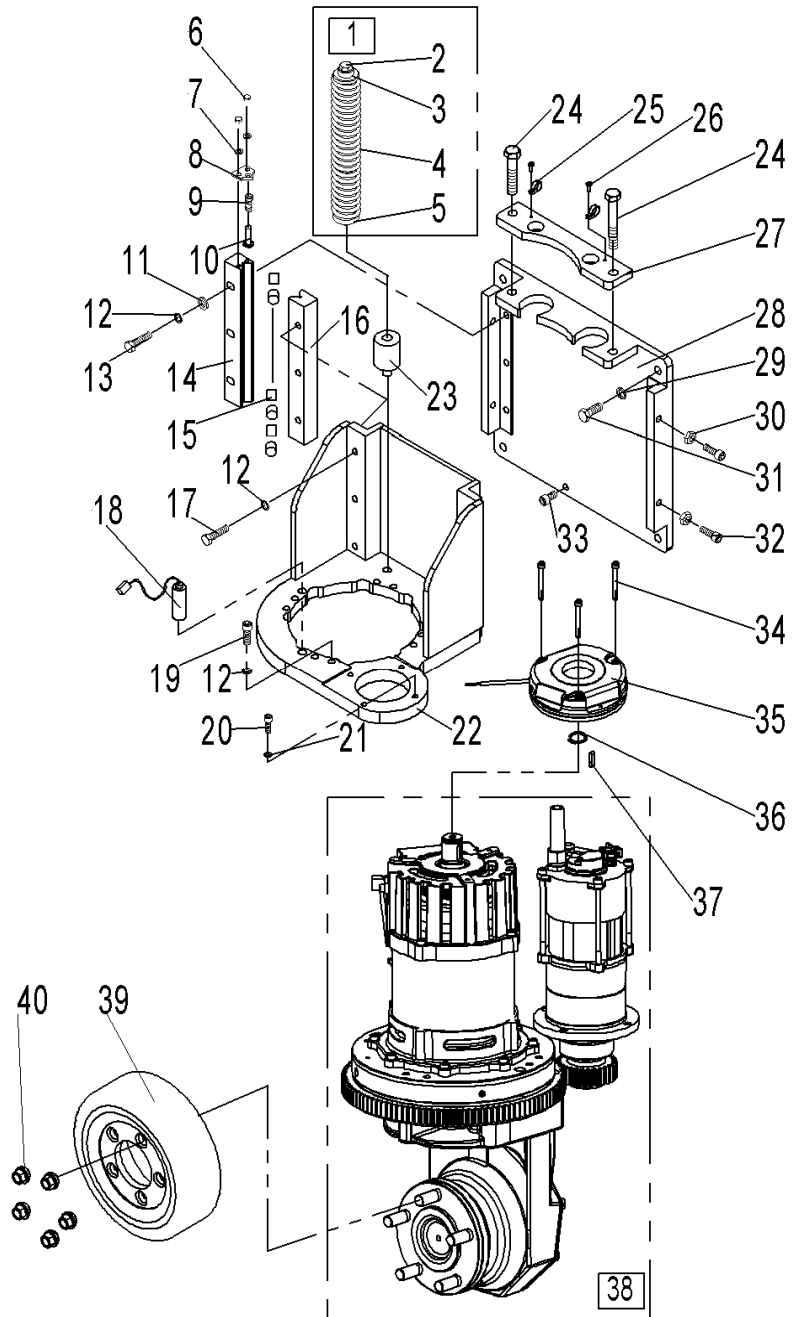
Fig.13 Pump system



**Fig. 13 Pump system**

No.	Art No.	Description	Qty.	Note	Standard
1	2000335001	Pump contactor	1		
2	2000335002	Carbon brush (components)	1	Iskra	
3	2000334001	Motor	1	Iskra	
4	2000323001	Plug	1		
5	2000300002	Valve body	1		
6	2000335003	Electromagnetic valve	1		
7	2000335004	Check valve	1		
8	2000323002	Screw	4		
9	2000335005	Flow control valve	1		
10	2000323003	Plug	1		
11	2000335006	Overflow valve	1		
12	2000322004	O ring	1		
13	2000317008	Oil elbow	1		
14	2000317009	Oil elbow	1		
15	2000300003	Gear pump	1		
16	2000317010	Oil suction pipe	1		
17	2000300004	Filter	1		
□	2000300001	Pump station	1	2.2kw (Iskra motor)	

Fig.14 Drive assembly

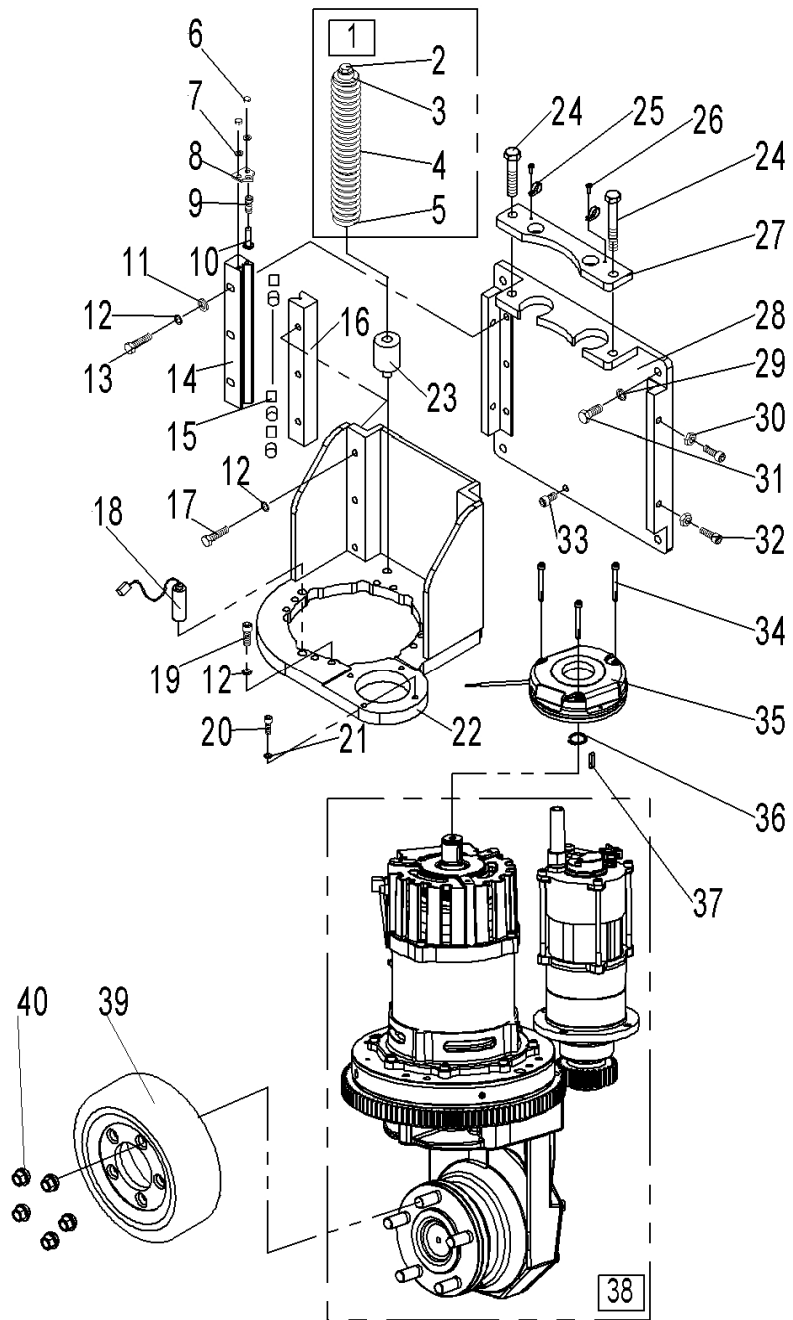




**Fig. 14 Drive assembly**

No.	Art No.	Item	Qty.	Note	Standard
1	9000010280	Spring components	2		
2	2000223001	Screw	2	M10×180	
3	2000208001	Spring guide bushing	2		
4	9000010281	Spring	2		
5	2000212001	Spring guide rod	2		
6	0000023042	Screw	8	M6×10	GB/T70.1=ISO4762
7	0000025010	Washer	10	6	GB/T93
8	2000202006	End cap	4		
9	2000231001	Spring	4		
10	2000207001	Spring spindle	4		
11	0000025002	Washer	18	10	GB/T95
12	0000023006	Washer	18	10	GB/T93
13	0000023099	Screw	6	M10×45	GB/T70.1=ISO4762
14	2000202004	Outer V block	2		
15	2000202008	Roller	24		
16	2000202005	Inner V block	2		
17	0000023094	Screw	4	M12×30	GB/T70.1=ISO4762
18	9000010298	Proximity switch	2	Fi4-M12-ON6L/L70	
19	0000023029	Screw	8	M10×35	GB/T70.1=ISO4762
20	0000023172	Screw	6	M8×30	GB/T70.1=ISO4762
21	0000025001	Washer	6	8	GB/T93
22	9000008291	Wheel frame components	1		
23	2000202003	Pad	2		
24	0000023095	Bolt	2	M14×60	GB/T5783= ISO4017
25	9000008684	Cable fixing button	2	UC-5	
26	0000023071	Screw	2	M4×8	GB/T818= ISO7045
27	9000008258	Top board	1		
28	9000008290	Bearing frame	1		
29	0000025024	Washer	4	12	GB/T93

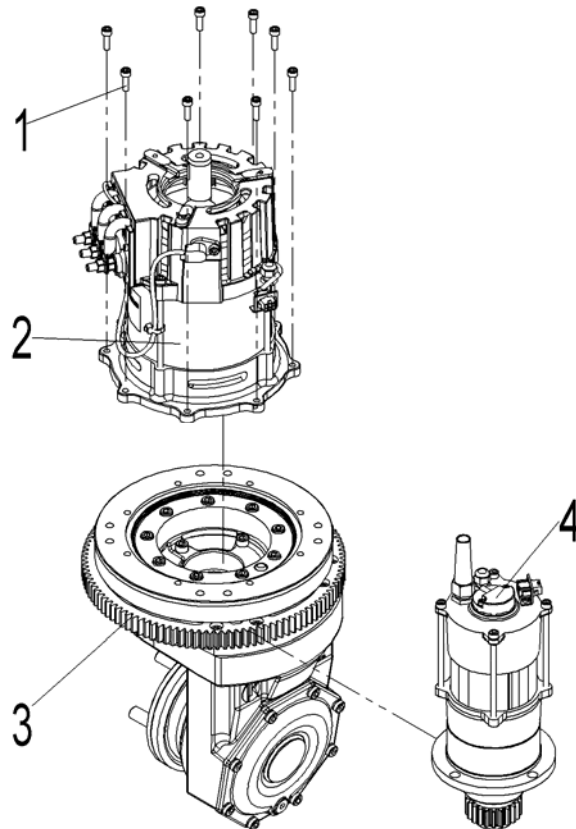
Fig.14 Drive assembly



**Fig. 14 Drive assembly**

No.	Parts No.	Item	Qty.	Note	Standard
30	0000024012	Nut	4	M10	GB/T6172.1= ISO4035
31	0000023094	Screw	4	M12×30	GB/T70.1=ISO4762
32	0090000408	Screw	4	M10×25	GB/T77= ISO4026
33	0000023098	Screw	1	M12×10	GB/T70.1=ISO4762
34	3070606041	Screw	3	M6X60	
35	9000010172	Electromagnetic brake	1		
36	0000026013	Circlip	1	25	GB/T894.1
37	0090000591	Flat key	1	8x20	GB/T1096
38	9000010171	AC drive AC steer assembly	1		
39	9000007767	Drive wheel	1	250×82	
40	3014702006	Nut	5		

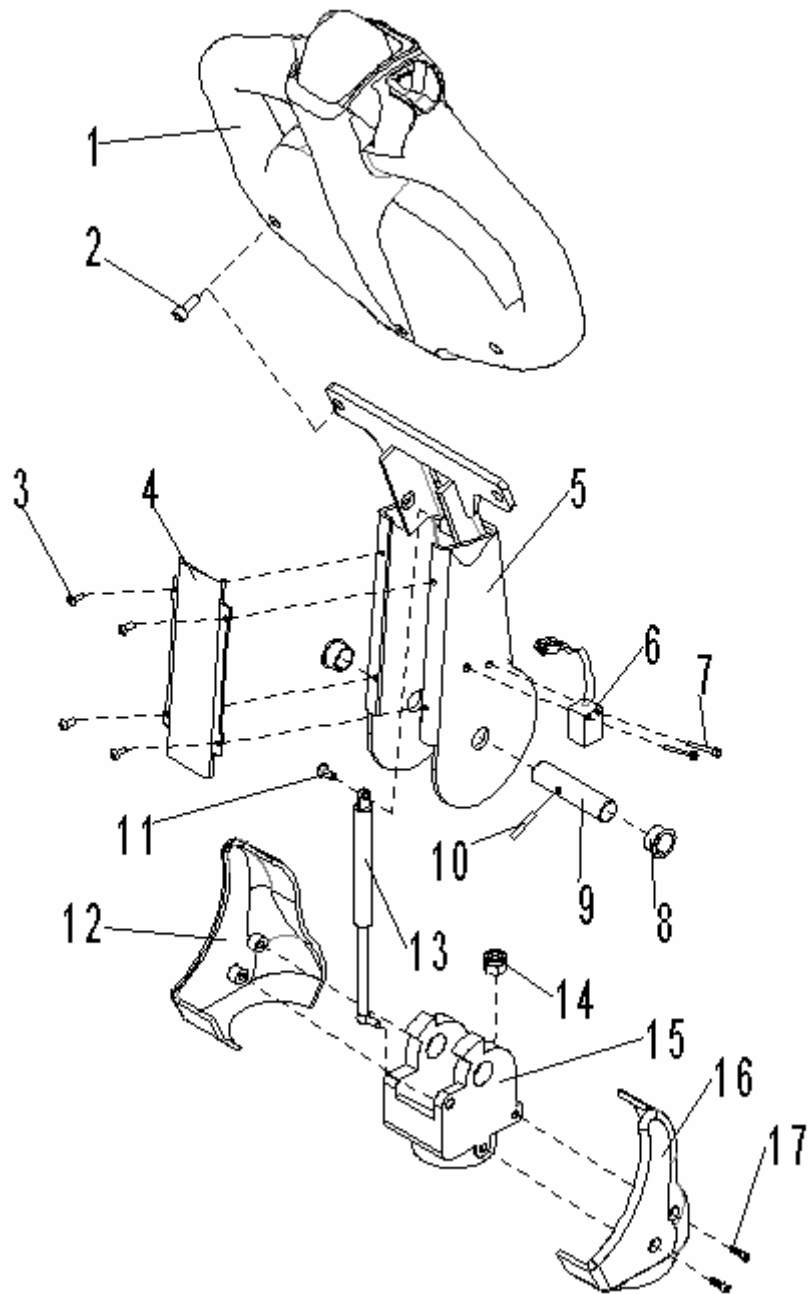
**Fig.15 AC drive AC steer assembly**



**Fig. 15 AC drive DC steer assembly**

No.	Parts No.	Item	Qty.	Note	Standard
1	9000010309	Screw	8	M6×20	
2	9000010310	Motor	1		
3	9000010308	Gear box	1		
4	9000010311	Steering device	1		

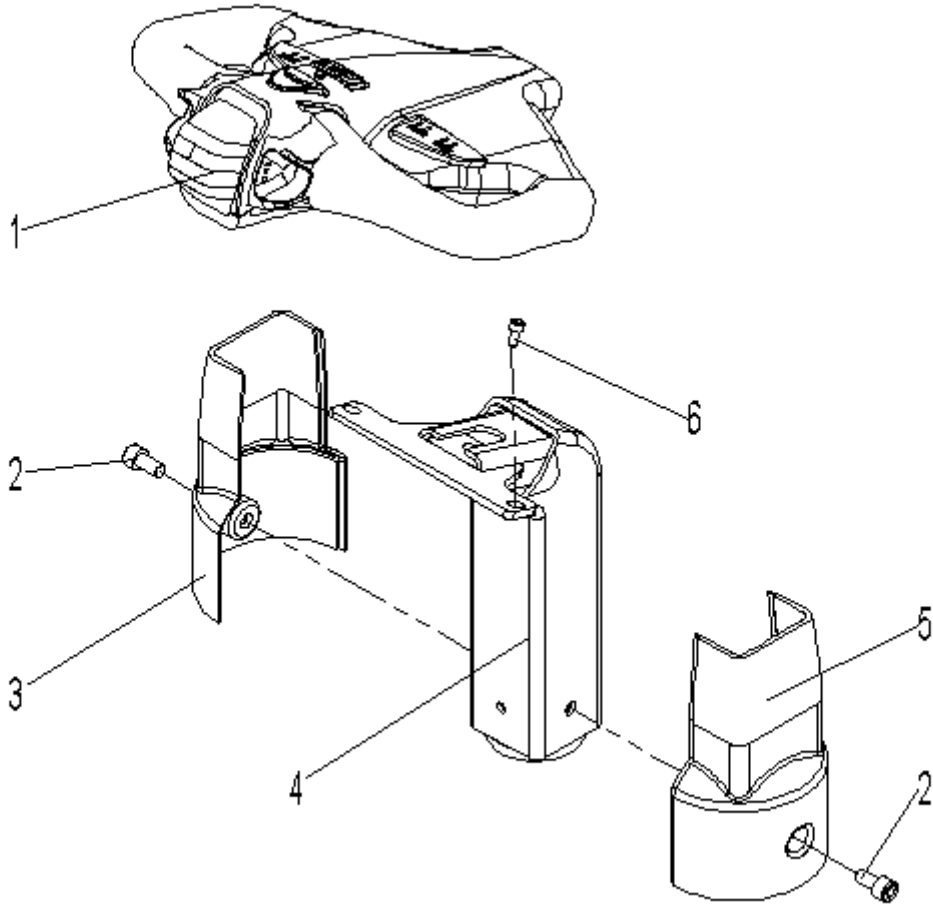
**Fig.16 Tiller assembly (Foldable)**



**Fig. 16 Tiller assembly (Foldable)**

No.	Art No.	Description	Qty.	Note	Standard
1	1100100001	Canbus control tiller	1	C 94300-90 (REMA)	
2	0000023232	Bolt	2	M8×25	GB/T5783
3	1000123003	Screw	4	M4×8	GB/T70.2=ISO7380
4	9000007926	Cover board	1	with platform	
	9000009961	Long cover board	1	without platform	
5	9000007925	Welded tiller arm	1	with platform	
	9000009962	Long welded tiller arm	1	without platform	
6	9000008327	Proximity switch	1	NBN5-F7-E5	
7	0000023075	Screw	2	M3×20	GB/T70.1=ISO4762
8	1000113001	Shoulder harness	2	∅17×∅19×11	
9	9000007928	Tiller axle	1		
10	0000028003	Dowel pin	1	∅4×24	GB/T879.1
11	0000023044	Screw	1	M8×20	
12	9000007930	Left tiller cover	1		
13	1010121001	Air spring	1	400N	
14	0000023005	Lock nut	2	M10	GB/T889.1=ISO7040
15	9000007929	Tiller seat	1		
16	9000007931	Right tiller cover	1		
17	0000023519	Screw	4	M6×10	GB/T70.2=ISO7380

**Fig.17 Tiller assembly (Fixed)**

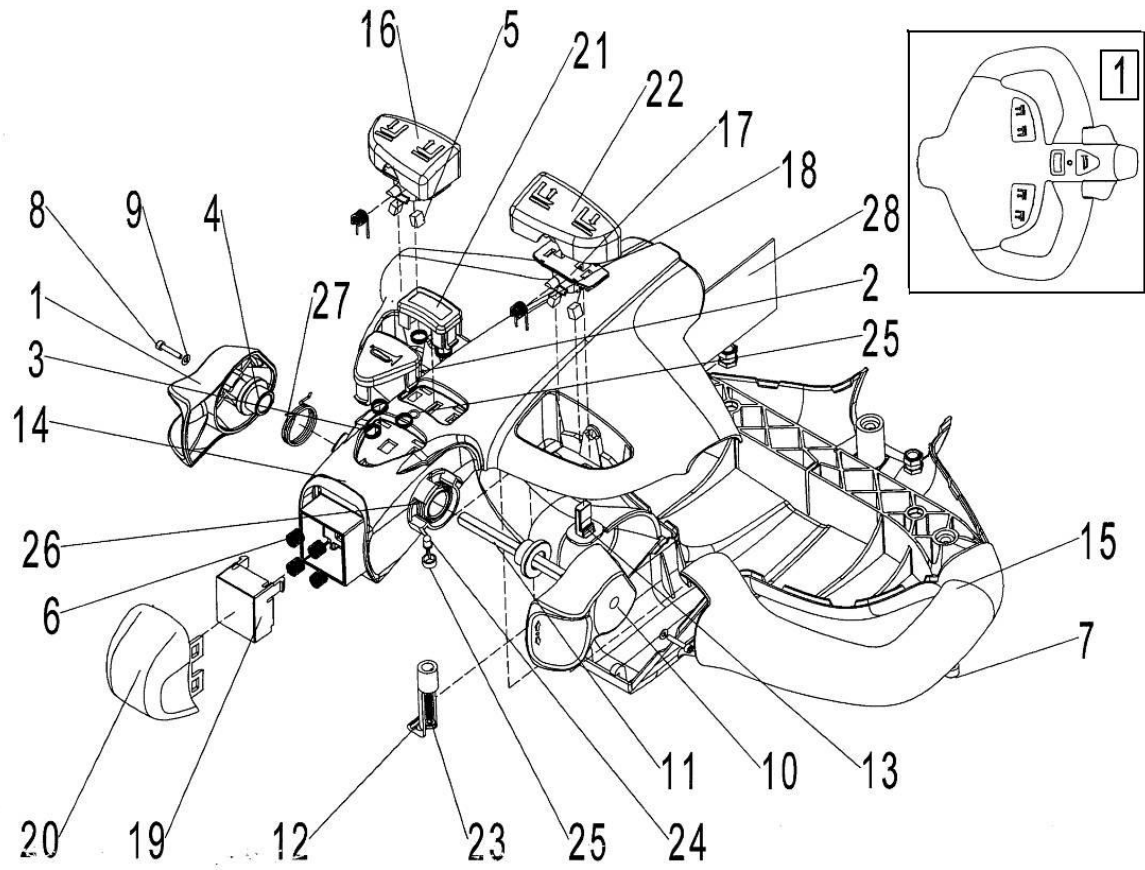


**Fig. 17 Tiller assembly (Fixed)**

No.	Parts No.	Description	Qty.	Note	Standard
1	1100100001	Canbus Handle	1	94300-90(REMA)	
2	0000023034	Screw	2	M10×20	GB/T70.1=ISO4762
3	9000008318	Left tiller arm cover	1		
4	9000008317	Welded tiller arm	1		
5	9000008319	Right tiller arm cover	1		
6	0000023047	Screw	2	M8×25	GB/T70.1=ISO4762



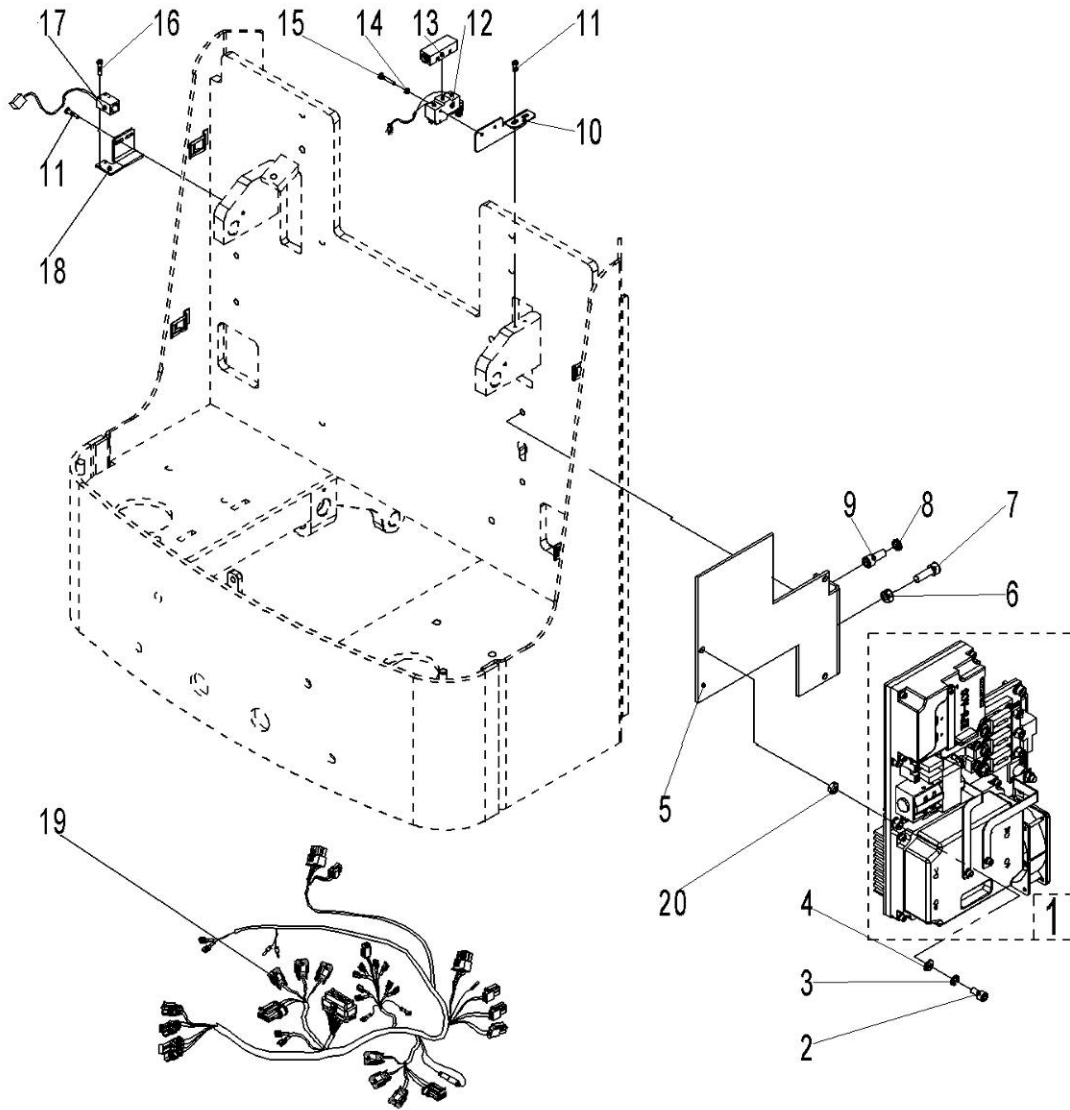
Fig.18 Canbus handle



**Fig.18 Canbus handle**

No.	Art No.	Description	Qty.	Note	Standard
1	1010114001	Left drive knob	1		
2	1000114015	Hon button	1		
3	1000131009	Hon button spring	5		
4	1000113004	Camshaft bushing	2		
5	1000137001	Magnet body	4	▲	
6	1000131010	Emergency reverse spring button	4		
7	0000023058	Screw	3	M6X10	GB/T70.1=ISO4762
8	0000023057	Screw	2	M3X16	GB/T70.1=ISO4762
9	0000025017	Washer	2		
10	1010114003	Right drive knob	1		
11	1000107002	Drive knob axle	1		
12	1000137002	PCB clip	1		
13	1000134005	Sensor	2		
14	1000103012	Upper part of the tiller	1		
15	1000103013	Lower part of the tiller	1		
16	1000114017	Left button	1		
17	1000137003	Magnet fixing seat	2		
18	1000131011	Torsional spring	2		
19	1000114018	Emergency reverse spring button seat	1		
20	1000114020	Emergency reverse spring button cover	1		
21	1000114021	Switch cover	1		
22	1000114022	Right button	1		
23	0000023060	Screw	1	ST4.2X25	GB/T845= ISO 7049
24	1000134006	LED Bi-color light	1		
25	1000103014	LED Bi-color light seat	1		
26	1000131012	Right drive knob torsional spring	1		
27	1000131013	Left drive knob torsional spring	1		
28	1100135001	PCB	1		

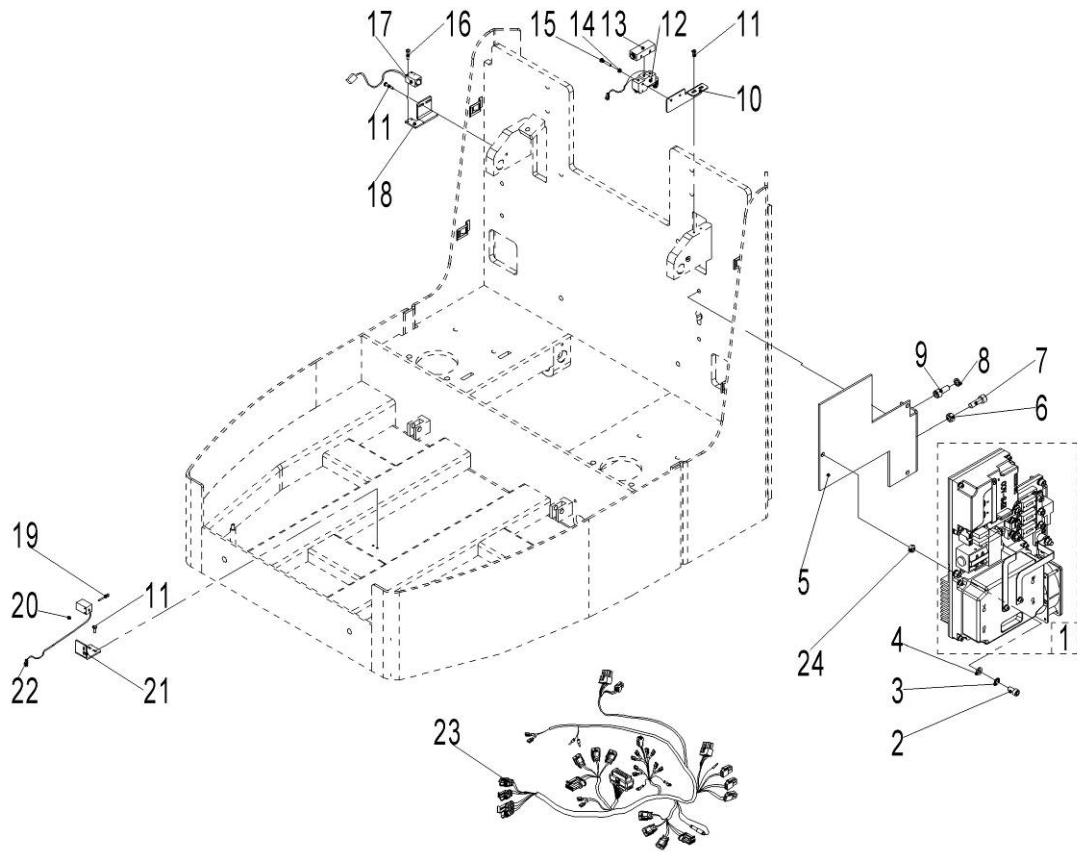
Fig.19 Electric equipment assembly (Foldable)



**Fig. 19 Electric equipment assembly (Foldable)**

No.	Art No.	Description	Qty.	Note	Standard
1	9000008616	Controller components	1		
2	0000023044	Screw	2	M8×20	GB/T70.1=ISO4762
3	0000025001	Washer	2	8	GB/T93
4	0000025011	Washer	2	8	GB/T95
5	9000008284	Controller assembly plate	1		
6	0000024013	Nut	1	M10	GB/T6170= ISO4032
7	0000023158	Screw	1	M10×30	GB/T70.1=ISO4762
8	0000023006	Washer	2	10	GB/T93
9	0000023088	Screw	2	M10×25	GB/T70.1=ISO4762
10	9000008283	Micro switch assembly plate	1		
11	0000023016	Screw	4	M4×12	GB/T818= ISO7045
12	9000000794	Proximity switch	1	RZ-15GW2S-B3	
13	2040603002	Micro switch protective cover	1		
14	0000023069	Nut	2	M4	GB/T6170= ISO4032
15	0000023043	Screw	2	M4×25	GB/T818= ISO7045
16	0000023165	Screw	2	M3×20	GB/T818= ISO7045
17	9000008327	Proximity switch	1	NBN5-F7-E2	
18	9000008522	Speed limit switch assembly plate	1		
19	9000008619	Main control cable	1		
20	0000024086	Nut	2	M8	GB/T6170= ISO4032

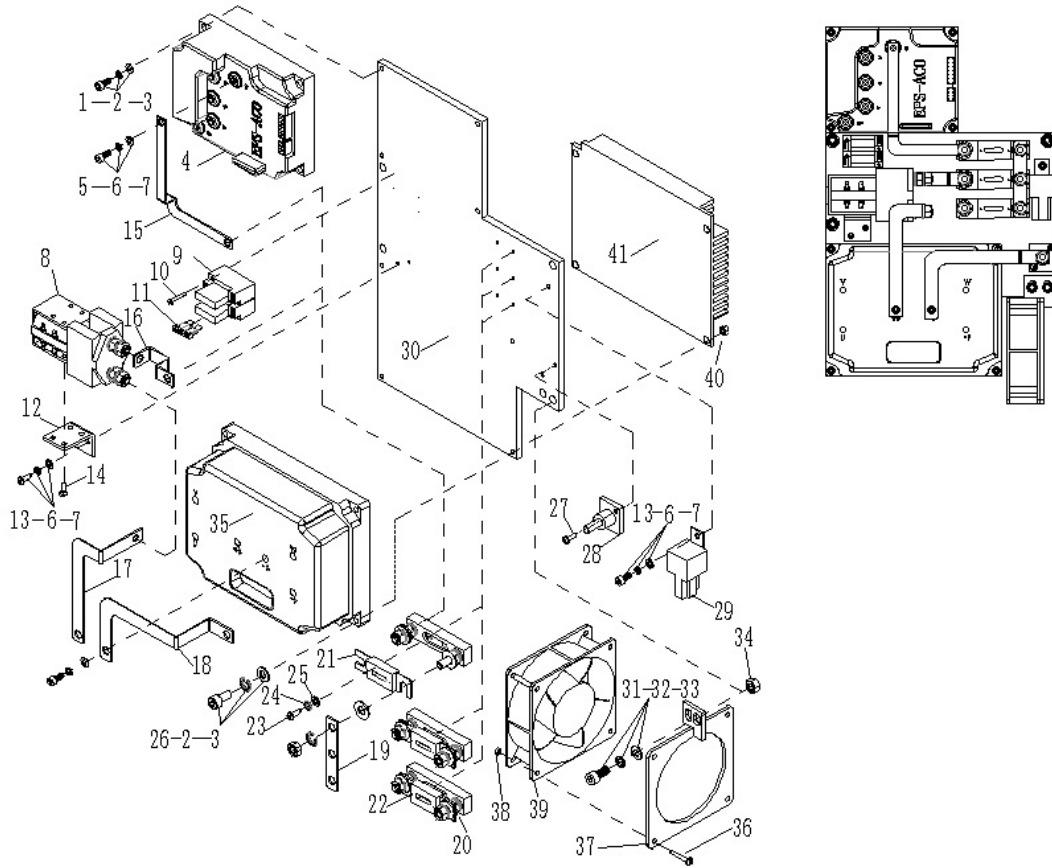
**Fig.20 Electric equipment assembly (Fixed)**



**Fig. 20 Electric equipment assembly (Fixed)**

No.	Art No.	Description	Qty.	Note	Standard
1	9000008616	Controller components	1		
2	0000023044	Screw	2	M8×20	GB/T70.1=ISO4762
3	0000025001	Washer	2	8	GB/T93
4	0000025011	Washer	2	8	GB/T95
5	9000008284	Controller assembly plate	1		
6	0000024013	Nut	1	M10	GB/T6170= ISO4032
7	0000023158	Screw	1	M10×30	GB/T70.1=ISO4762
8	0000023006	Washer	2	10	GB/T93
9	0000023088	Screw	2	M10×25	GB/T70.1=ISO4762
10	9000008283	Micro switch assembly plate	1		
11	0000023016	Screw	6	M4×12	GB/T818= ISO7045
12	9000000794	Micro switch	1	RZ-15GW2S-B3	
13	2040603002	Micro switch protective cover	1		
14	0000023069	Nut	2	M4	GB/T6170= ISO4032
15	0000023043	Screw	2	M4×25	GB/T818= ISO7045
16	0000023165	Screw	2	M3×20	GB/T818= ISO7045
17	9000008327	Proximity switch	1	NBN5-F7-E2	
18	9000008522	Speed limit switch assembly plate	1		
19	0000023685	Screw	2	M3×25	GB/T6170= ISO4032
20	0000024002	Nut	2	M3	GB/T818= ISO7045
21	9000008299	Micro switch assembly plate	1		
22	9000008329	Proximity switch	1	NBN5-F7-E2	
23	9000008619	Main control cable	1		
24	0000024086	Nut	2	M8	GB/T6170= ISO4032

**Fig.21 Controller components**

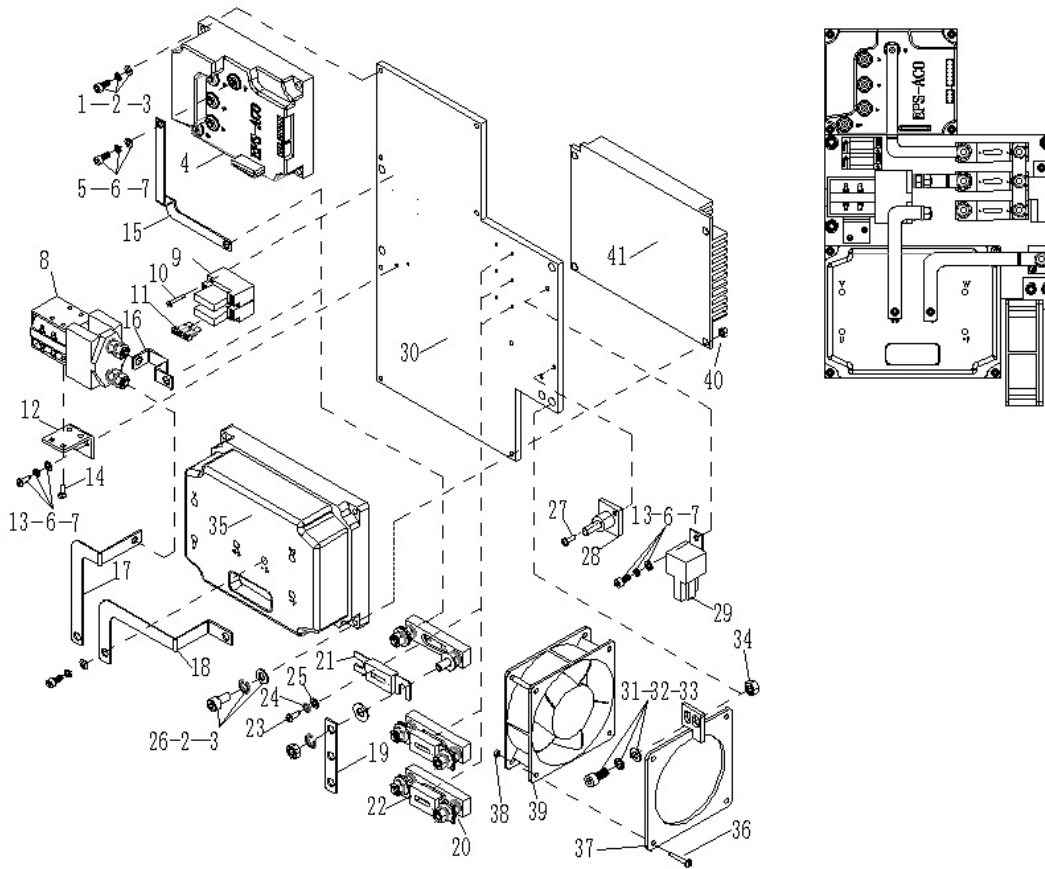


**Fig. 21 Controller components**

No.	Art No.	Item	Qty.	Note	Standard
1	0000023141	Screw M6x16	4	(8.8) white zink	GB/T70.1=ISO4762
2	0000025010	Washer 6	8	white zink	GB/T93
3	0000023055	Washer C level 6	8	(100HV) white zink	GB/T95
4	1100434001	Steering controller	1	EPS-AC0 24V/50A	
5	0000023076	Screw M5x12	5	(8.8) white zink	GB/T70.1=ISO4762
6	0000025015	Washer 5	7	white zink	GB/T93
7	0000025014	Washer C level 5	7	(100HV) white zink	GB/T95
8	2390434003	Contactora	1	SW180B-4 DC24V	
9	1000434021	Fuse seat	2	BD-1x10A	
10	0000023074	Screw M3x30	4	(4.8) white zink	GB/T818= ISO7045
11	1000434040	Fuse	2	10A	
12	2400404007	Contactora holder	1		
13	0000023039	Screw M5x12	2	(4.8) white zink	GB/T818= ISO7045
14	0000023534	Screw M5x8	2	(4.8) white zink	GB/T818= ISO7045
15	9000008613	Copper bar	1	Copper	
16	9000008611	Copper bar	1	Copper	
17	9000008612	Copper bar	1	Copper	
18	9000008614	Copper bar	1	Copper	
19	9000008615	Copper bar	1	Copper	
20	9000000747	Fuse seat	3	SY	
21	9000008642	Fuse	1	30A	
22	1020434001	Fuse	2	200A	
23	0000023130	Screw M4x16	6	(4.8) black	GB/T818= ISO7045
24	0000025018	Washer 4	6	white zink	GB/T93
25	0000025008	Washer C level 4	6	(100HV) white zink	GB/T95
26	0000023090	Screw M6x35	4	(8.8) white zink	GB/T70.1=ISO4762
27	0000023307	Screw M4x10	2	(4.8) white zink	GB/T818= ISO7045
28	1020434002	M8 Terminal BD-M8	1		
29	1000434041	Pump contactora	1	ACR01F-F-1C 24VDC	
30	9000008639	Aluminum plate	1	aluminum	
31	0000023047	Screw M8x25	5	(8.8) white zink	GB/T70.1=ISO4762
32	0000025001	Washer 8	5	white zink	GB/T93



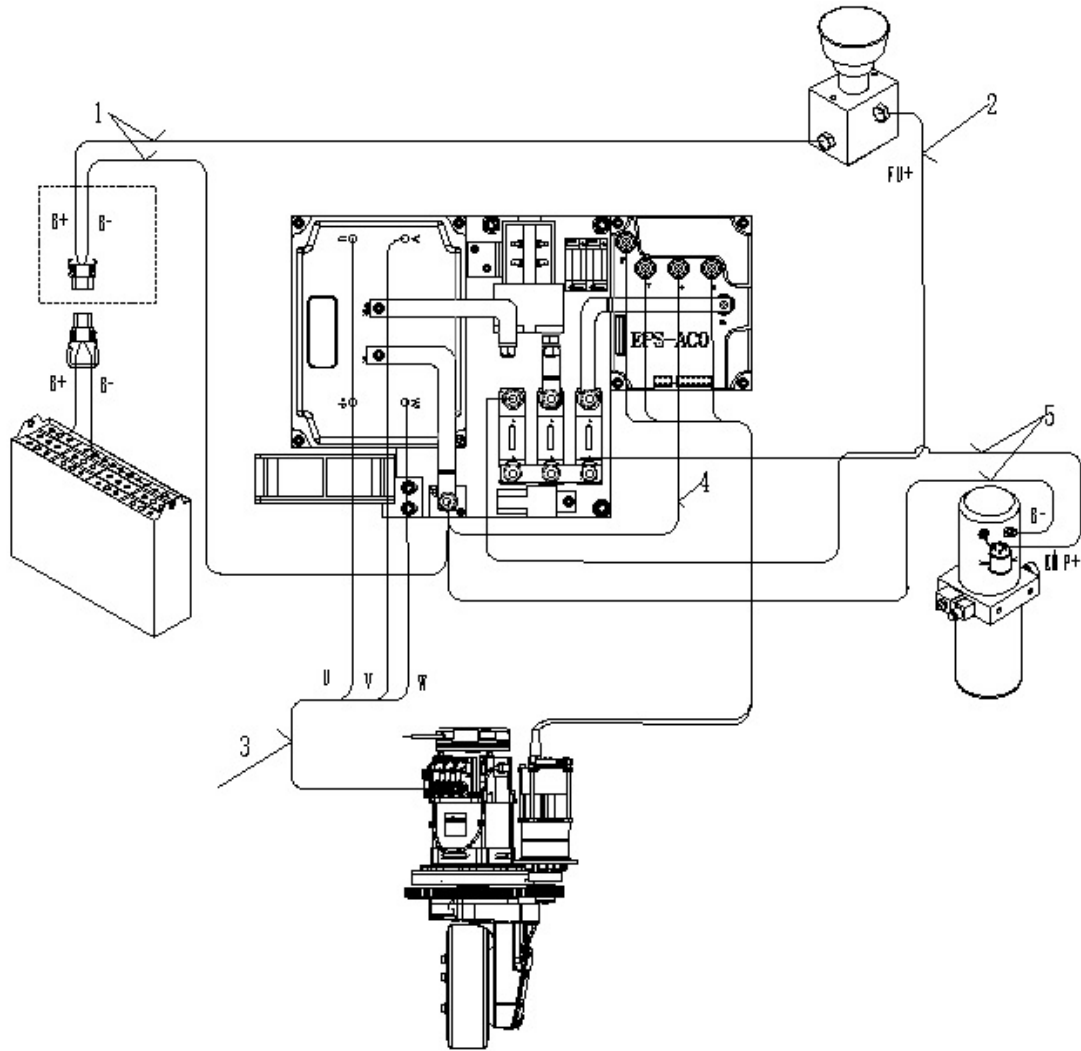
**Fig. 21 Controller components**



**Fig. 21 Controller components**

No.	Art No.	Item	Qty.	Note	Standard
33	0000025011	Washer C level 8	5	(100HV) white zink	GB/T95
34	0000024086	Nut M8	5	(8) black	GB/T6170= ISO4032
35	1100434002	Traction controller	1	ACE0 PW 24V/320A	
36	0000023451	Screw M4x45	4	(4.8) black	GB/T818= ISO7045
37	9000010199	Fan assembly plate	1	Weld assembly	
38	0000023069	Nut M4	4	(8) black	GB/T6170= ISO4032
39	1110434003	Fan	1	AD1224UB-F51 DC24V	
40	0000024068	Nut M6	4	(8) black	GB/T6170= ISO4032
41	9000010169	Heating panel	1	aluminum	

Fig.22 Cables

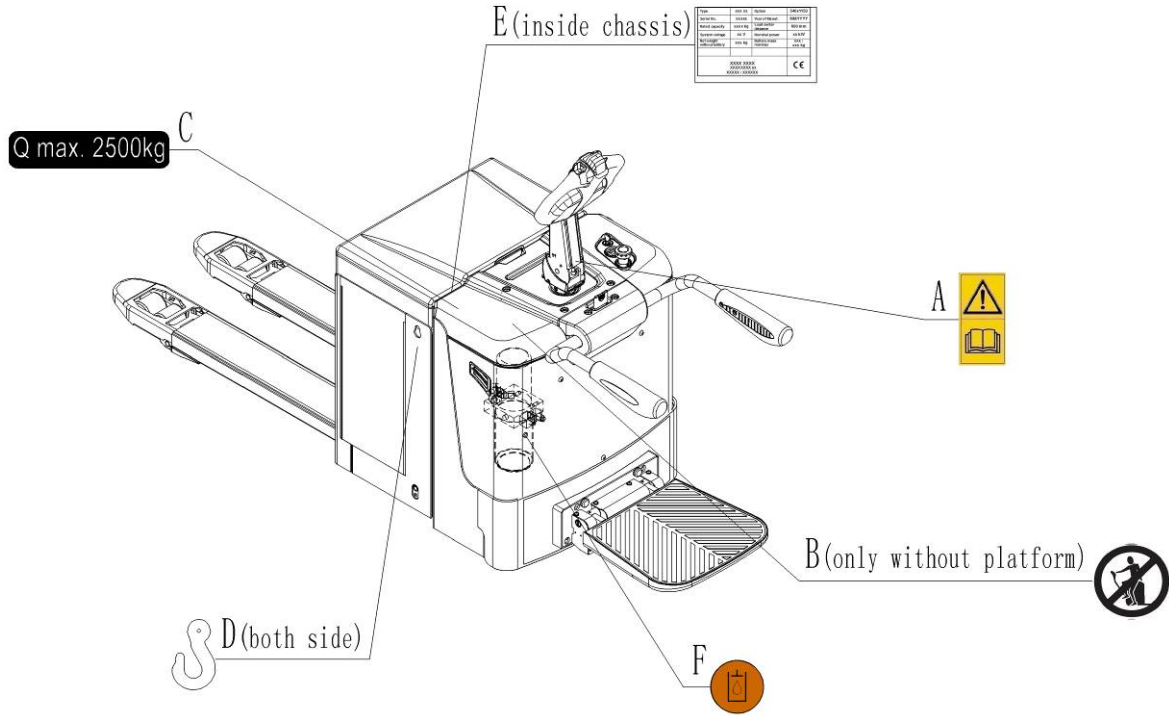


**Fig. 22 Cables**

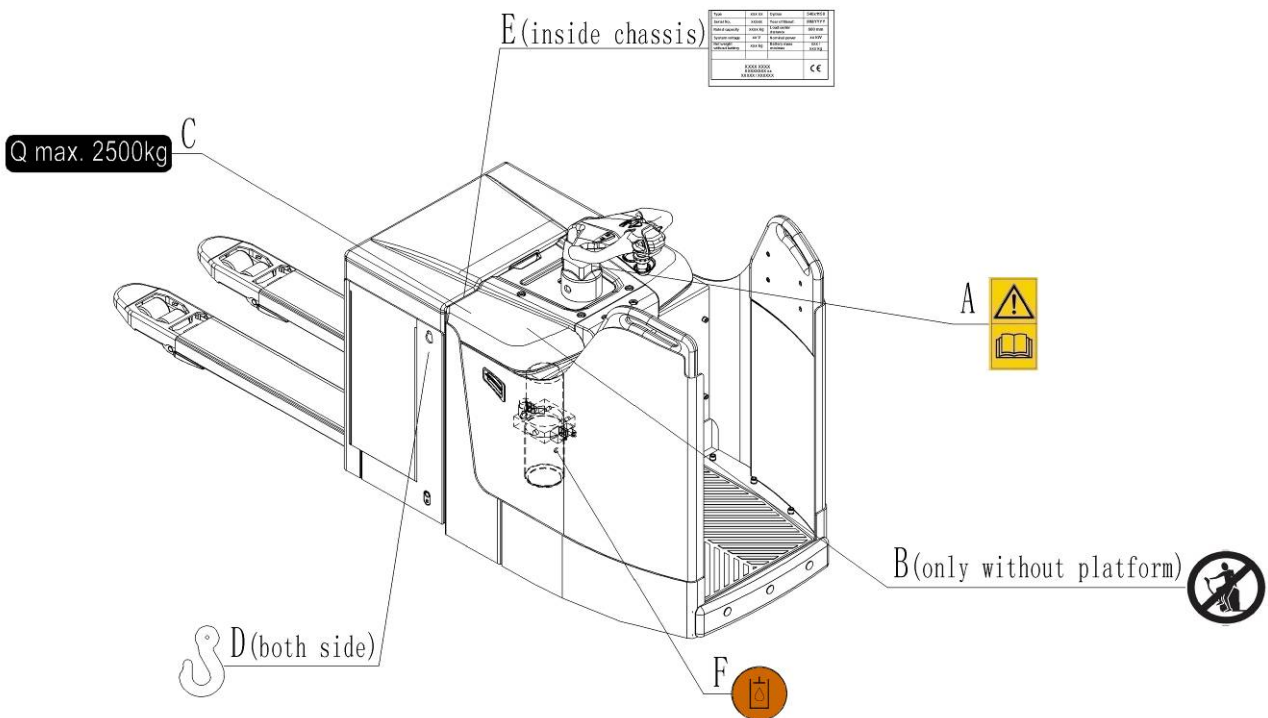
No.	Art No.	Item	Qty.	Note	Standard
1	9000008622	Power supply cable	1		
2	9000008623	FU+ cable	1		
3	9000008620	Drive motor cable	1		
4	9000008624	Steering controller B-cable	1		
5	9000008621	Pump motor cable	1		

**Fig.23 Label (for EU)**

**Foldable**



**Fixed**

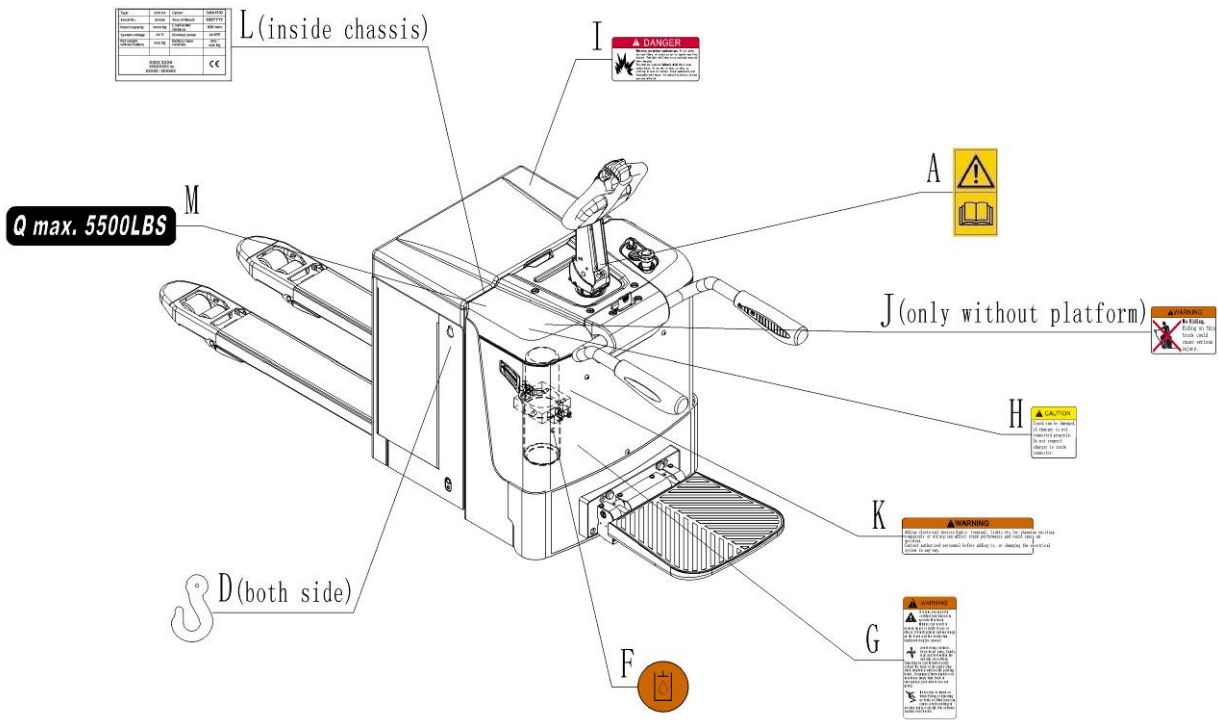


**Fig.23 Label (for EU)**

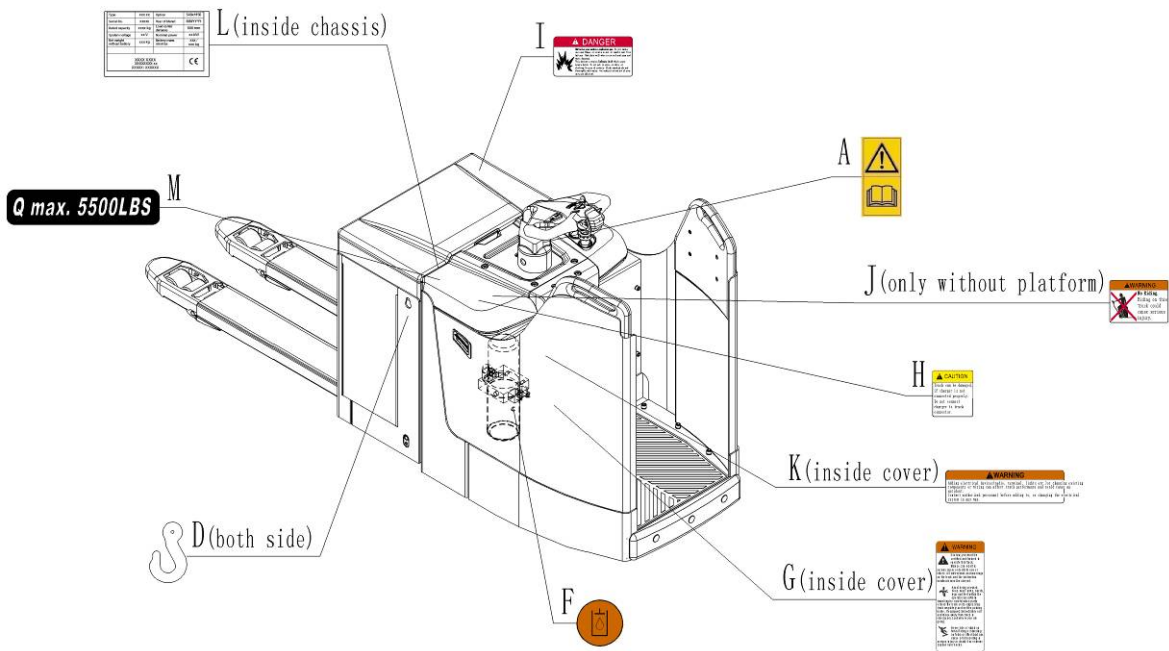
No.	Art No.	Description	Qty.	Note	Standard
A	9000003570	Sign read and follow this instruction	1		
B	9000003573	'No passengers' decal	1		
C	9000008538	Sign capacity sticker(2500 kg)	1		
D	9000005967	Lifting sticker	2		
E	9000008737	CE sticker	1	foldable	
	9000008342	CE sticker	1	fixed	
F	9000008555	Filling sticker	1		

**Fig.24 Label (for US)**

**Foldable**



**Fixed**



**Fig.24 Label (for US)**

No.	Art No.	Description	Qty.	Note	Standard
A	9000003570	Sticker to read and follow these instructions	1		
C	9000009407	Capacity sticker (5500 LBS)	1		
D	9000005967	Crane hook label	2		
F	9000008555	Filling sticker	1		
G	9000003575	Warning sticker	1		
H	9000003576	Warning sticker	1		
I	9000003577	Warning sticker	1		
J	9000003580	Warning sticker	1		
K	9000003579	Warning sticker	1		
L	9000008737	CE sticker	1	foldable	
	9000008342	CE sticker	1	fixed	

### Easy worn parts list

No.	Part number	Name	Qty.	Fig./Position	Note	Standard
1	0000013024	Bushing 25×28×20	2	Fig.1/3	Frame assembly	
2	0000027006	Bushing 25×29×25	2	Fig.1/4		
3	0000013001	Bushing 20×23×20	4	Fig.1/5		
4	0000027005	Bushing 20×22×12	8	Fig.1/10		
5	0000030001	Oil cup M6	6	Fig.1/15		JB/T7940.4
6	9000002333	Shoulder harness 18×20×12	4	Fig.1/17		
7	0000027107	Bearing 6204-2Z	8	Fig.1/22		GB/T276=ISO3290
8	9000007767	Load roller 82×82	4	Fig.1/23		
9	1000516001	Enter roller	2	Fig.1/25		
10	9000008339	Rubber ring	2	Fig.1/30		
11	9000008266	Gap plate	1	Fig.1/35		
12	9000007788	Spring	1	Fig.1/41		
13	0000027060	Bearing 6202	12	Fig.1/46		GB/T276=ISO3290
14	0000013001	Bushing 20×23×20	2	Fig.1/52		
15	9000008340	Anti vibration rubber	2	Fig.1/53		
16	1000413001	Bushing 20×23×15	2	Fig.3/30	Truck body assembly	
17	9000007801	Shoulder harness 20×23×15	2	Fig.3/32		
18	9000007801	Shoulder harness 20×23×15	2	Fig.4/31		
19	1000413001	Bushing 20×23×15	2	Fig.4/34		
20	9000008308	Anti vibration pad	2	Fig.4/44		
21	9000008295	Adjusting anti vibration pad	2	Fig.4/46		
22	9000007780	Air spring	1	Fig.5/5	Protective arm	
23	9000007897	Positioning spring	1	Fig.5/8		
24	9000007799	Shoulder harness 20×23×16.5	4	Fig.6/3	Foldable platform	
25	2000421001	Air spring	1	Fig.6/6		
26	9000008897	Suspension components	2	Fig.6/27		



27	0000027069	Bearing 30205	1	Fig.7/10	Steering wheel assembly	GB/T297
28	1000419001	PU spring	1	Fig.7/12		
29	9000007795	Bushing 18×20×10	2	Fig.7/23		
30	9000000240	Bearing 61810	2	Fig.8/2	Electrical steering components	GB/T276=ISO3290
31	9000000244	Damper 61810	1	Fig.8/7		
32	9000008736	Transition linking block	1	Fig.8/8		
33	9000010209	Potentiometer PSC360-F2AA	1	Fig.8/13		
34	9000007424	Nylon block	1	Fig.8/15		
35	0000027109	Bearing 71810C	1	Fig.9/2		GB/T292
36	9000008310	Nylon cover	1	Fig.9/6		
37	2070418001	Bushing	1	Fig.9/10		
38	0000027108	Bearing 61906	1	Fig.9/13		GB/T276=ISO3290
39	9000010209	Potentiometer PSC360-F2AA	1	Fig.9/14		
40	0000022112	Y seal ring	1	Fig.10/8		Hydraulic system
41	0000022031	Dust ring	1	Fig.10/9	GB/T10708.3	
42	0000022112	Y seal ring	1	Fig.11/8	GB/T10708.1	
43	0000022031	Dust ring	1	Fig.11/9	GB/T10708.3	
44	2000335002	Carbon brush (component)	1	Fig.13/2	Pump system	
45	9000008454	Sensor	1	Fig.14/18	Driving assembly	
46	1000113001	Shoulder harness 17×19×11	2	Fig.16/8	Tiller assembly	
47	1010121001	Air spring	1	Fig.16/13		
48	9000000794	Micro switch	2	Fig.19/12	Electric equipment assembly	
49	9000008327	Proximity switch	1	Fig.19/17		
50	9000000794	Micro switch	2	Fig.20/12		
51	9000008327	Proximity switch	1	Fig.20/17		
52	9000008329	Proximity switch	1	Fig.20/22		
53	1000434040	Fuse 10A	2	Fig.21/11	Controller components	
54	9000008642	Fuse 30A	1	Fig.21/21		
55	1020434001	Fuse 200A	2	Fig.21/22		