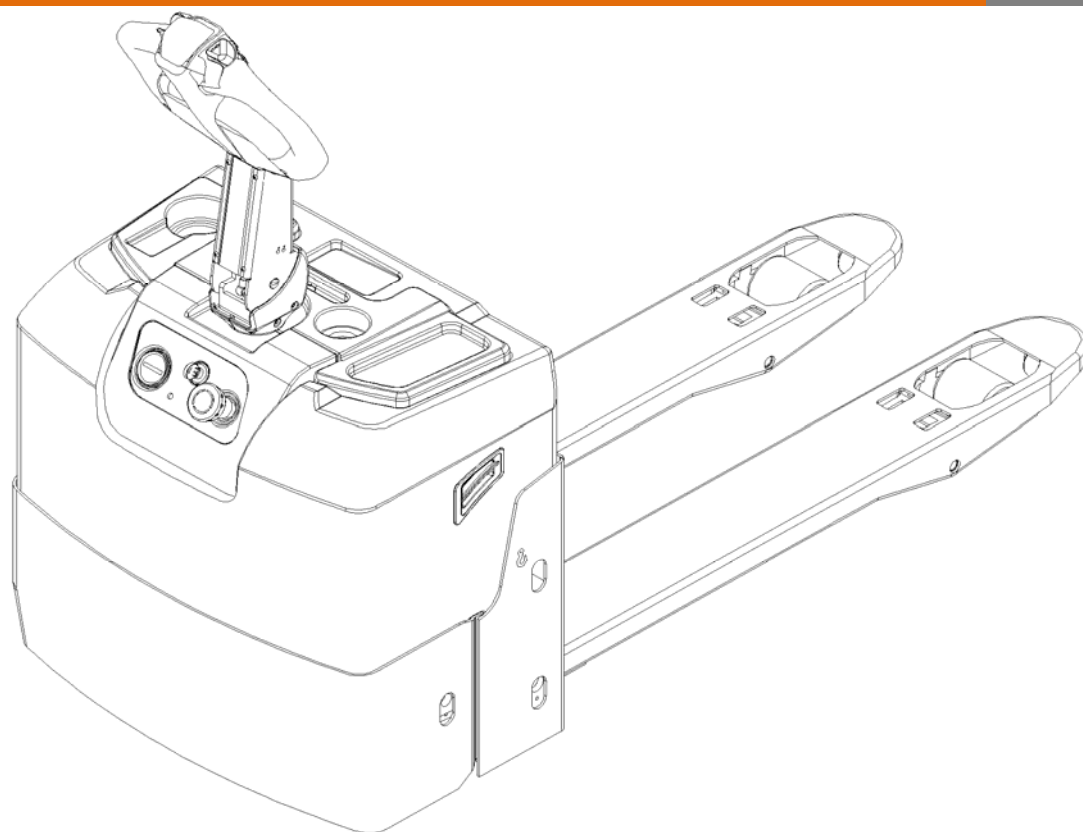


SPAREPARTS LIST

Electric Pallet Truck PT 15/PT 15US



Version 10/2014

From truck identification number:

20130700013

PT 15/PT 15US-BPT-005-EN

Catalogue

Fig.1 Spare parts for frame with 85mm	1
Fig.2 Spare parts for frame with 75mm height	3
Fig.3 Spare parts for load roller with 85mm height.....	5
Fig.4 Spare parts for load roller with 75mm height.....	7
Fig.5 Driving system	9
Fig.6 Drive wheel	11
Fig.7 Spare parts for chassis.....	13
Fig.8 Spare parts for steering wheel.....	14
Fig.9 Spare parts for distribution box.....	16
Fig.10 Electrical components	18
Fig.11 Spare parts for cylinder.....	22
Fig.12 Spare parts for pump.....	24
Fig.13 Tiller arm	25
Fig.14 Tiller	27
Fig.15 Controller parts.....	29
Fig.16 Main cable.....	31
Fig.17 Sticker (for EU).....	32
Fig.18 Sticker (for US).....	33
Easy worn parts list.....	34

Fig.1 Spare parts for frame with 85mm

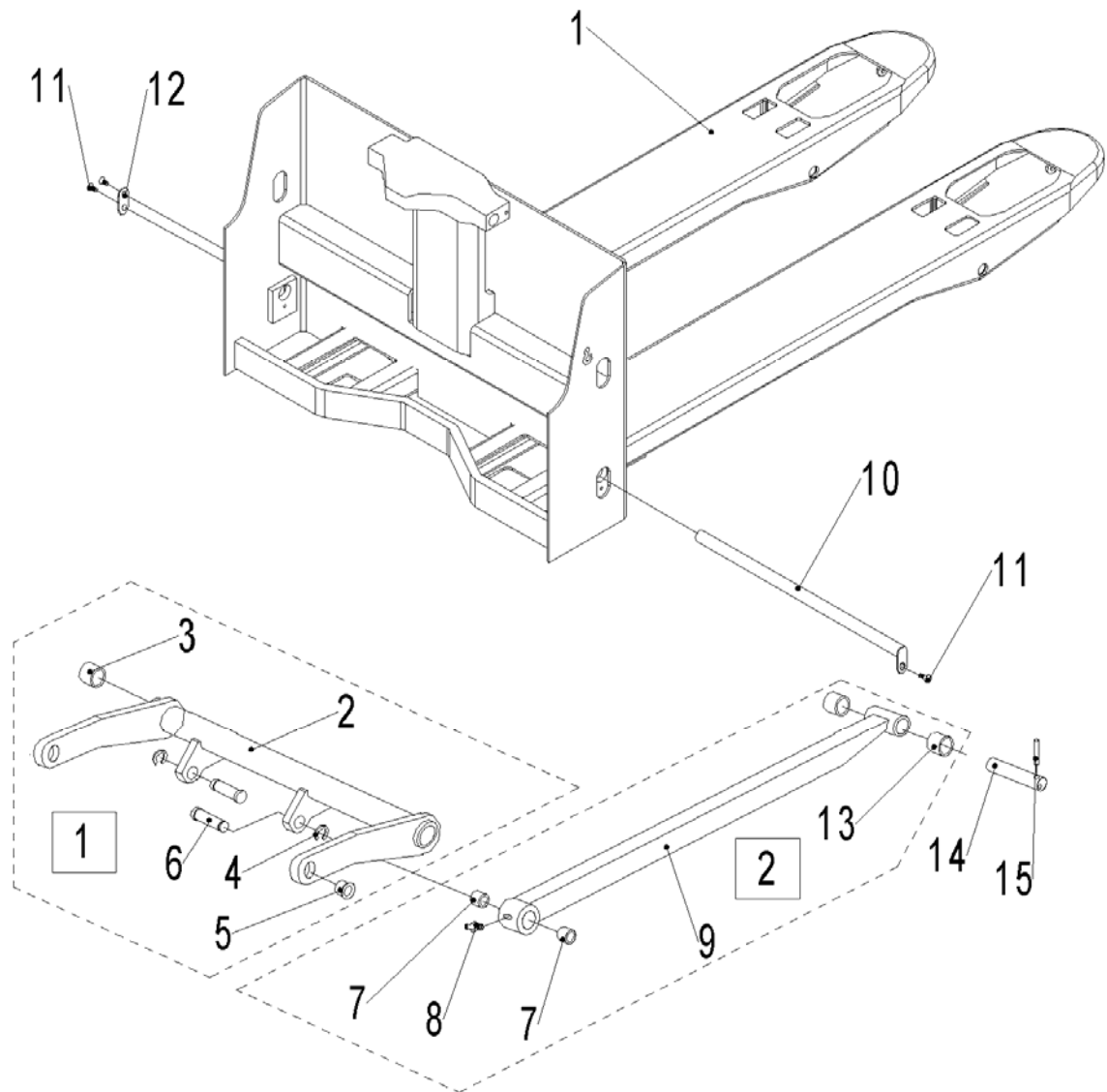


Fig. 1 Spare parts for frame with 85mm

No.	Art No.	Description	Qty.	Note	Standard
1	9000008158	Frame	1	520X1150	
	9000010027	Frame	1	520X800	
2	9000008159	Rock arm	1	520	
3	0000027006	Bushing	2	∅ 25×∅ 29×25	
4	0000026001	Split retainer ring	2	15	GB/T896
5	0000027007	Shoulder harness	2	∅ 20×∅ 23× 21.5	
6	1000507019	Connecting shaft	2		
7	0000027005	Bushing	4	∅ 20×∅ 22×12	
8	0000030002	Oil cup	2	M6	JB/T7940.1
9	9000008160	Pushing rod	2	1150	
	9000010028	Pushing rod	2	800	
10	9000008161	Rock arm shaft	1		
11	1000523002	Screw	3	M6X14	
12	1000504001	Fixing plate	1		
13	0000027008	Bushing	4	∅ 18×∅ 20×15	
14	1000507020	Pushing rod shaft	2		
15	0000028016	Roll pin	2	5X28	GB/T879.1=ISO8752
①	9000008162	Rock arm kit	1	520	
②	9000008163	Push rod kit	2	1150	
	9000010424	Push rod kit	2	800	

Fig.2 Spare parts for frame with 75mm height

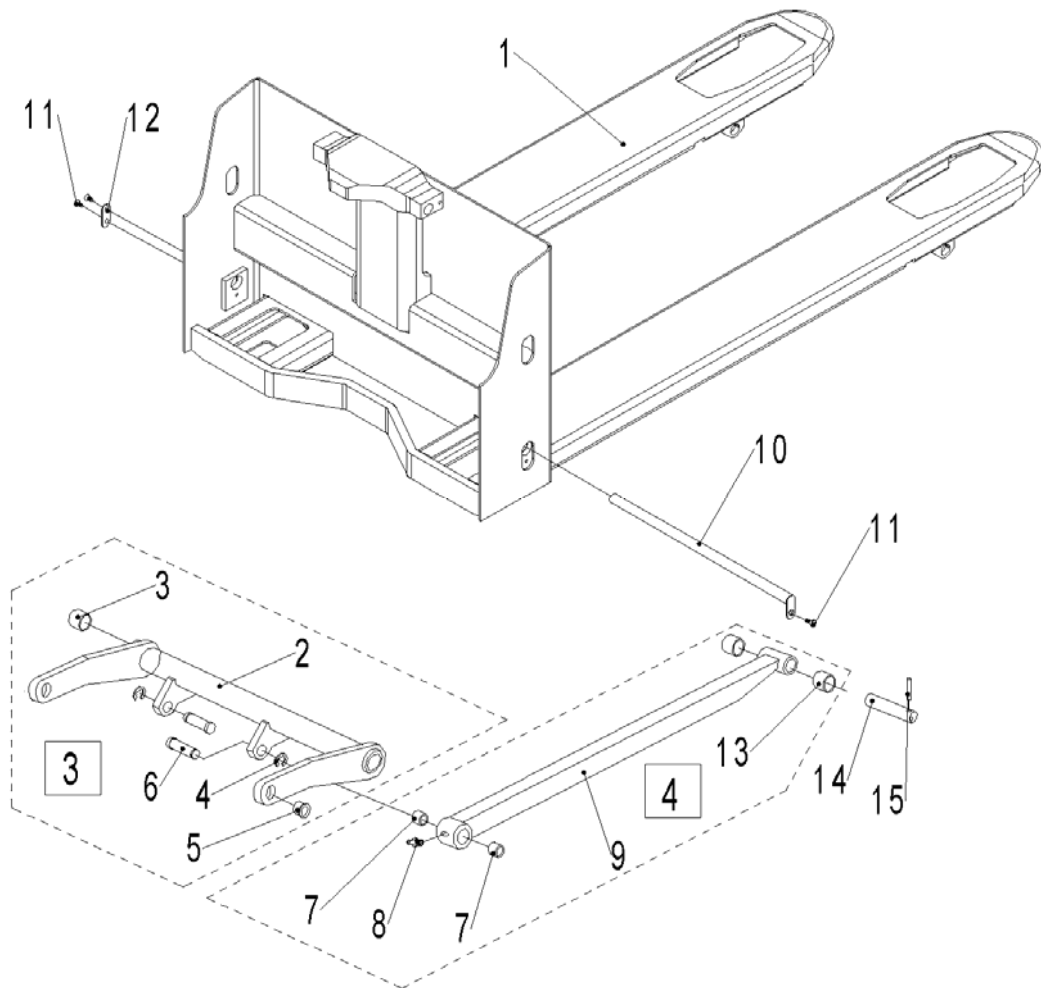


Fig.2 Spare parts for frame with 75mm height

No.	Art No.	Description	Qty.	Note	Standard
1	9000008916	Frame	1	650X1220	
2	9000008917	Rock arm	1	650	
3	0000027006	Bushing	2	∅ 25×∅ 29×25	
4	0000026001	Retainer ring	2	15	GB/T896
5	0000027007	Shoulder harness	2	∅ 20×∅ 23×21.5	
6	1000507019	Connecting shaft	2		
7	0000027005	Bushing	4	∅ 20×∅ 22×12	
8	0000030002	Oil cup	2	M6	JB/T7940.1
9	9000008918	Pushing rod	2	1220	
10	9000008161	Rock arm shaft	1		
11	1000523002	Screw	3	M6X14	
12	1000504001	Fixing plate	1		
13	0000027008	Bushing	4	∅ 18×∅ 20×15	
14	1000507020	Pushing rod shaft	2		
15	0000028009	Roll pin	2	5X35	GB/T879.1=ISO8752
③	9000008919	Rock arm kit	1	650	
④	9000008920	Push rod kit	1	1220	

Fig.3 Spare parts for load roller with 85mm height

No.	Art No.	Description	Qty.	Note	Standard
1	0000024097	Lock nut	2	M12	GB/T889.1=ISO7040
2	1000516001	Enter roller	2		
3	0000023004	Bolt	2	M10x60	GB/T5782=ISO4014
4	0000028002	Elastic cylindrical pin	2	5x30	GB/T879.1=ISO8752
5	1000507003	Bracket shaft	2		
6	0000030001	Oil cup	4/8	6	JB/T7940.4
7	1000505001	Frame of roller	2		
8	1000507010	Load roller shaft	2		
9	0000028007	Elastic cylindrical pin	2	5x32	GB/T879.1=ISO8752
10	1000525001	Washer	4	Single	
11	0000027001	Bearing	4	6204	GB/T276=ISO3290
12	1000516002	Load roller	2	84x93	
13	1000507012	Load roller shaft	4	Double	
14	1000505007	Linking plate	2	Double	
15	0000028006	Elastic cylindrical pin	4	heavy 4x32	GB/T879.1=ISO8752
16	1000525001	Washer	8	Double	
17	0000027003	Bearing	8	6303	GB/T276=ISO3290
18	1000507011	Load roller	4	84x70	
19	9000008921	Load roller assembly	2	Double	
20	9000008922	Load roller assembly	2	Single	
21	9000010400	Roller kit	2		
22	9000010425	Load wheel kit	4		
23	9000010426	Load wheel kit	2		

Fig.4 Spare parts for load roller with 75mm height

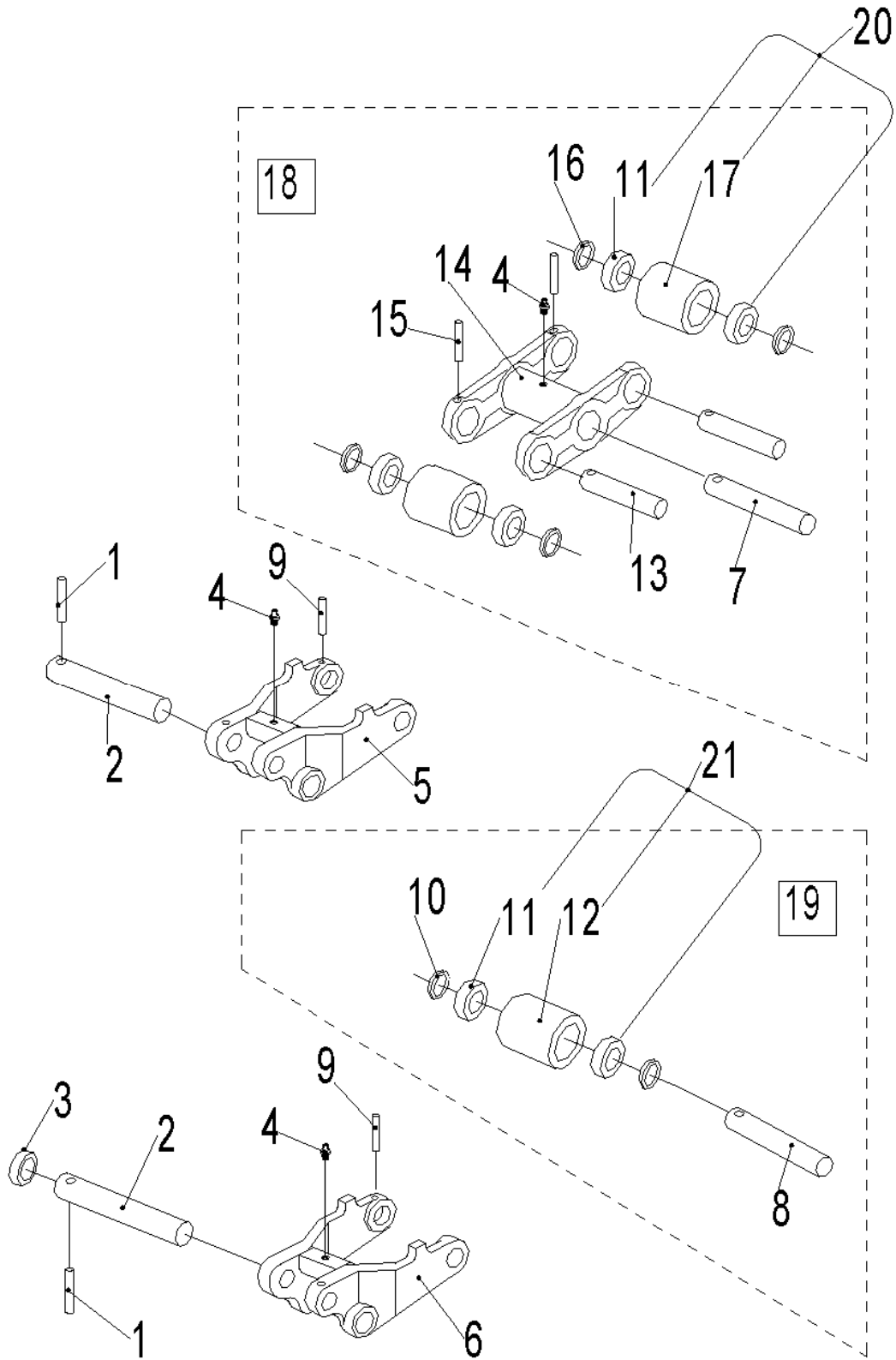


Fig.4 Spare parts for load roller with 75mm height

No.	Art No.	Description	Qty.	Note	Standard
1	0000028009	Elastic cylindrical pin	2	5X35	GB/T879.1=ISO8752
2	1000507005	Bracket shaft	2		
3	1000507016	Roller	4		
4	0000030002	Oil cup	2/4	M6	JB/T7940.1
5	1000505011	Frame of roller	2	Single	
6	1000505002	Frame of roller	2	Double	
7	1000507013	Load roller shaft	2	Single	
8	1000507014	Linking shaft	2	Double	
9	0000028002	Elastic cylindrical pin	2	5X30	GB/T879.1=ISO8752
10	1000525001	Washer	4	Single	
11	0000027001	Bearing	4/8	6204	GB/T276=ISO3290
12	1000516003	Load roller	2	74X93	
13	1000507015	Load roller shaft	4	Double	
14	1000505008	Double frame	2	Double	
15	0000028007	Elastic cylindrical pin	4	5X32	GB/T879.1=ISO8752
16	1000525001	Washer	8	Double	
17	1000516004	Load roller	4	74X70	
18	9000008923	Load roller assembly	2	Double	
19	9000008924	Load roller assembly	2	Single	
20	9000010427	Load wheel kit	4		
21	9000010428	Load wheel kit	2		

Fig.5 Driving system

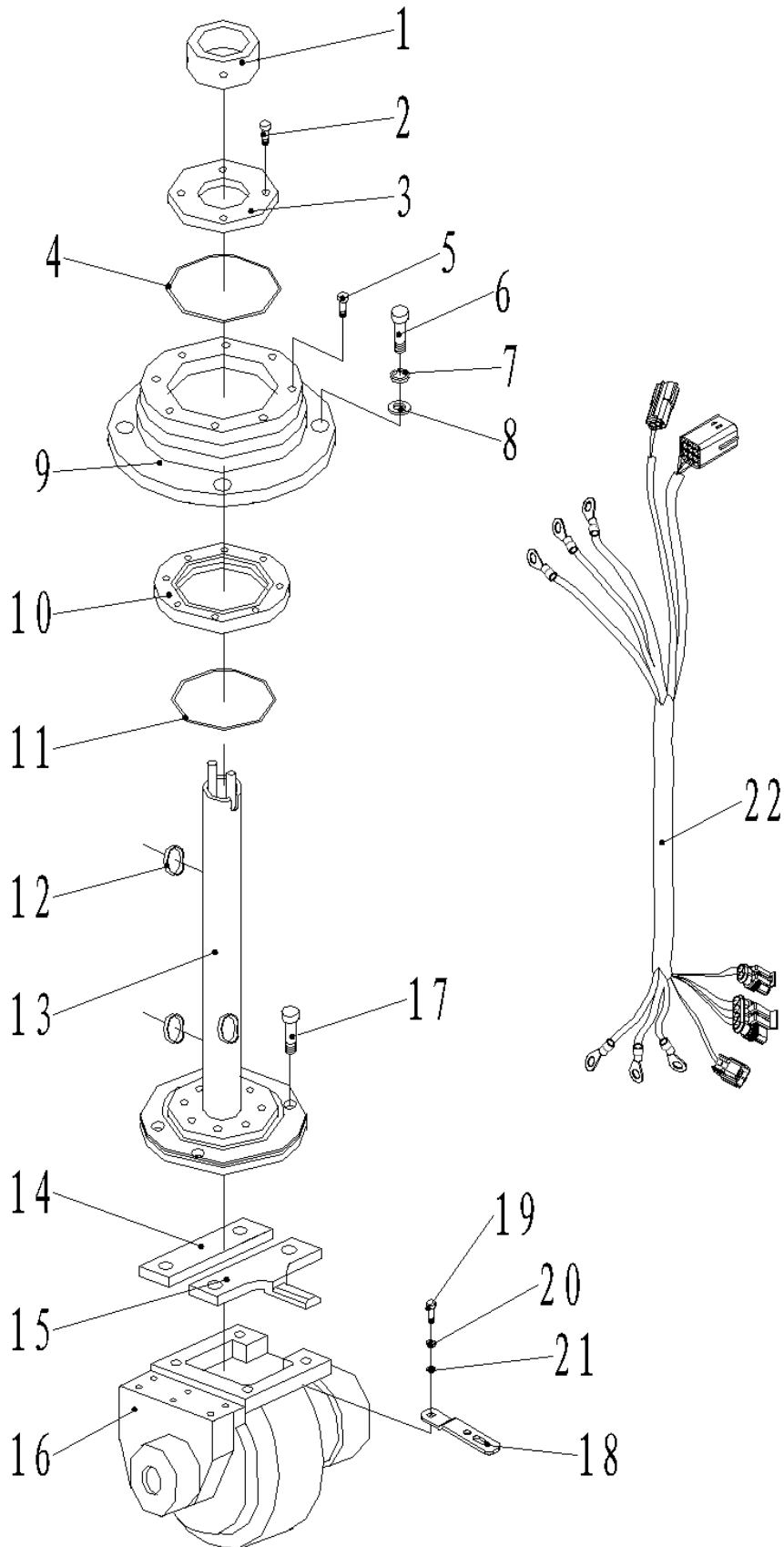


Fig. 5 Driving system

No	Art No.	Description	Qty.	Note	Standard
1	1010213001	Bushing	1		
2	0000023020	Screw	4	M6×20	GB/T70.1=ISO476
3	1000207001	Bearing cover	1		
4	0000022001	O seal ring	1	105×5.7	GB1235
5	0000023030	Screw	4	M6×25	GB/T70.1=ISO476
6	0000023034	Screw	4	M10×20	GB/T70.1=ISO476
7	0000025002	Washer	4	10	GB/T95
8	0000023006	Washer	4	10	GB/T93
9	1000205002	Bearing seat	1		
10	1000227001	Bearing	1		
11	1000225001	Bearing washer	2		
12	1000218001	Rubber bushing	2		
13	9000008164	Long shaft assembly	1		
14	1000204001	Linking plate	1		
15	1000205001	Locating block	1		
16	9000007772	AC driving assembly	1		
17	0000023029	Screw	4	M10×35	GB/T70.1=ISO476
18	9000009890	Connector seat	1		
19	0000023059	Screw	2	M4×8	GB/T70.1=ISO476
20	0000025018	Washer	2	4	GB/T93
21	0000025019	Washer	2	4	GB/T95
22	9000008382	Drive motor wiring harness	1		

Fig.6 Drive wheel

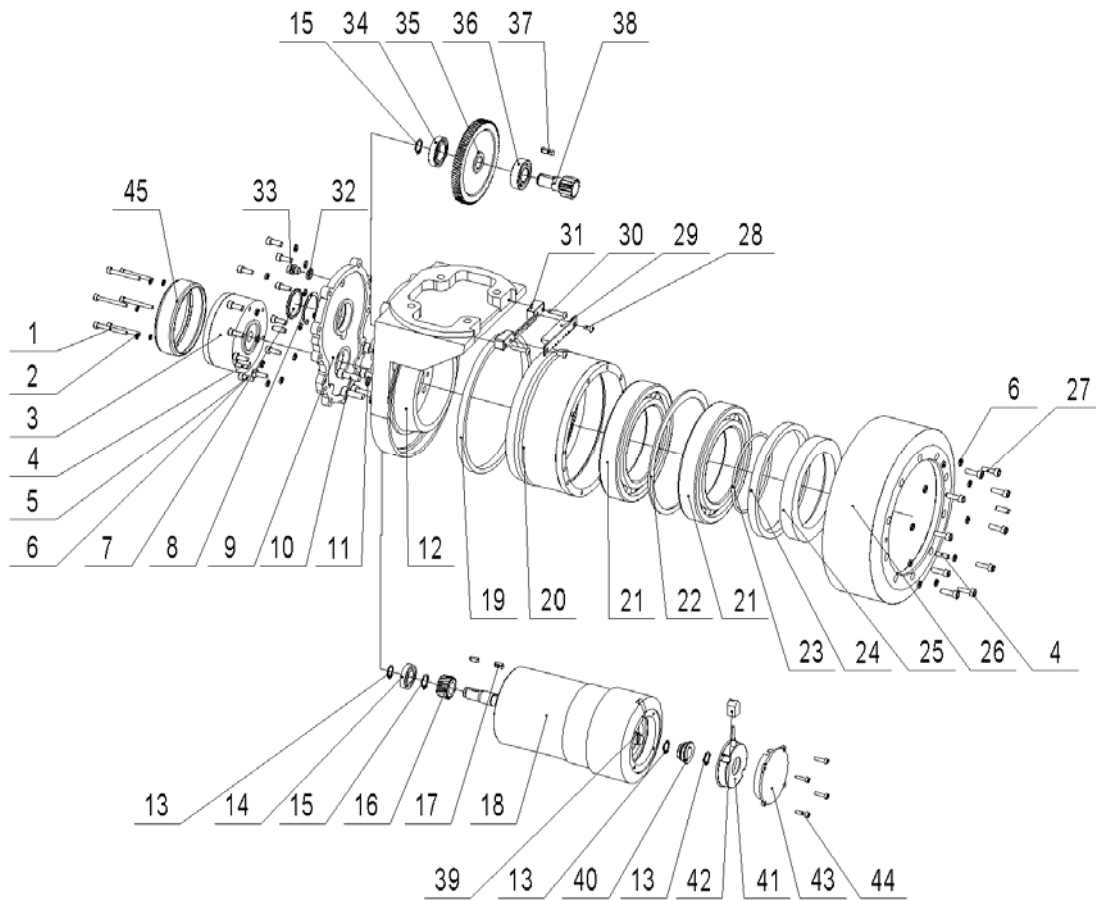


Fig.6 Drive wheel

No.	Art No.	Description	Qty.	Note	Standard
1	0090000101	Screw	6	M5x45	GB/T70.1=ISO4762
2	0000025015	Washer	6	5	GB/T93
3	9000009457	Brake	1		
4	0000028177	Roll pin	4	6x20	GB/T119.1
5	0000023040	Screw	11	M6x16	GB/T70.1=ISO4762
6	0000025010	Washer	21	6	GB/T93
7	9000008857	Cover	1		
8	0000026007	Retainer ring for hole	1	55	GB/T893.1
9	9000008847	Box cover	1		
10	0000023047	Screw	5	M8x25	GB/T70.1=ISO4762
11	0090000501	Copper pad	5	8	JB/T1002
12	9000009458	Box	1		

13	0000026004	Retainer ring for axle	1	15	GB/T894.1
14	0000022232	Oil seal	1	17x35x7	GB/T9877
15	0000026005	Retainer ring for axle	2	17	GB/T894.1
16	9000008849	Small gear	1		
17	0090000498	Flat key	2	5x14	GB/T1096
18	9000009459	Motor	1		
19	0000022007	Oil seal	1	188x202x10	GB/T9877
20	9000009460	Internal gear	1		
21	0000027010	Bearing	2	6022	GB/T276=ISO3290
22	0000026006	Retainer ring for hole	1	170	GB/T893.1
23	0000022008	O seal ring	1	110x3.55	GB/T3452.1=ISO3601
24	0000022009	Oil seal	1	148x165x12	GB/T9877
25	9000009461	Oil seal seat	1		
26	9000009462	Drive wheel	1		
27	0000023020	Screw	10	M6x20	GB/T70.1=ISO4762
28	0090000041	Screw	2	M5x10	GB/T70.2=ISO7380
29	9000008863	Upper wire holder	1		
30	0000023679	Screw	2	M5x25	GB/T70.1=ISO4762
31	9000008862	Down wire holder	1		
32	0000025021	Combination washer	1	10	JB/T982
33	2000303001	Vent plug	1	10	
34	0000027009	Bearing	1	16006	GB/T276=ISO3290
35	9000008856	Big gear	1		
36	0000027067	Bearing	1	6304	GB/T276=ISO3290
37	0000036001	Flat key	1	6x16	GB/T1096
38	9000008855	Gear shaft	1		
39	0090000475	Flat key	1	5x10	GB/T1096
40	9000008851	Shaft sleeve	1		
41	9000008852	Sensor components	1		
42	9000008854	Bushing	1		
43	9000008853	Protective cover	1		
44	0000023853	Screw	4	M4x16	GB/T70.1=ISO4762
45	9000009463	Dust cover	1		

Fig.7 Spare parts for chassis

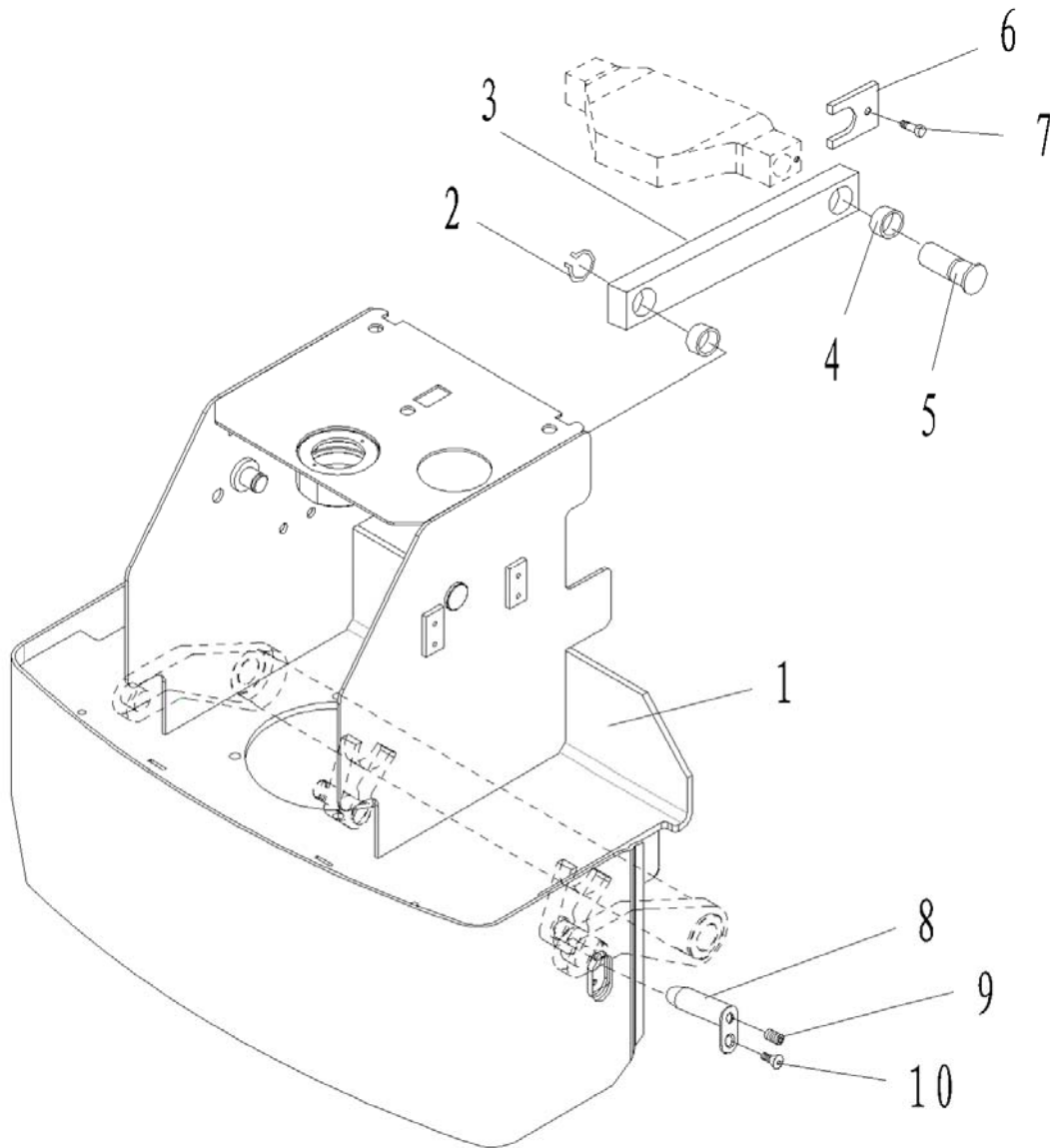


Fig. 7 Spare parts for chassis

No.	Art No.	Description	Qty.	Note	Standard
1	9000008165	Distribution	1	85 height	
1	9000008925	Distribution	1	75 height	
2	0000026001	Split retainer	2	15	GB/T896
3	1000404007	Linking plate	2		
4	1000413001	Bushing	4	$\varnothing 20 \times \varnothing 23 \times 15$	
5	1000407001	Linking pin	2		
6	1000404030	Lock plate	2		
7	0000023053	Screw	2	M6×12	GB/T70.1=ISO4762
8	1000401010	Fixed shaft	2		
9	0000023027	Screw	2	M8X12	GB/T78= ISO4027
10	1000523002	Screw	2	M6×14	

Fig.8 Spare parts for steering wheel

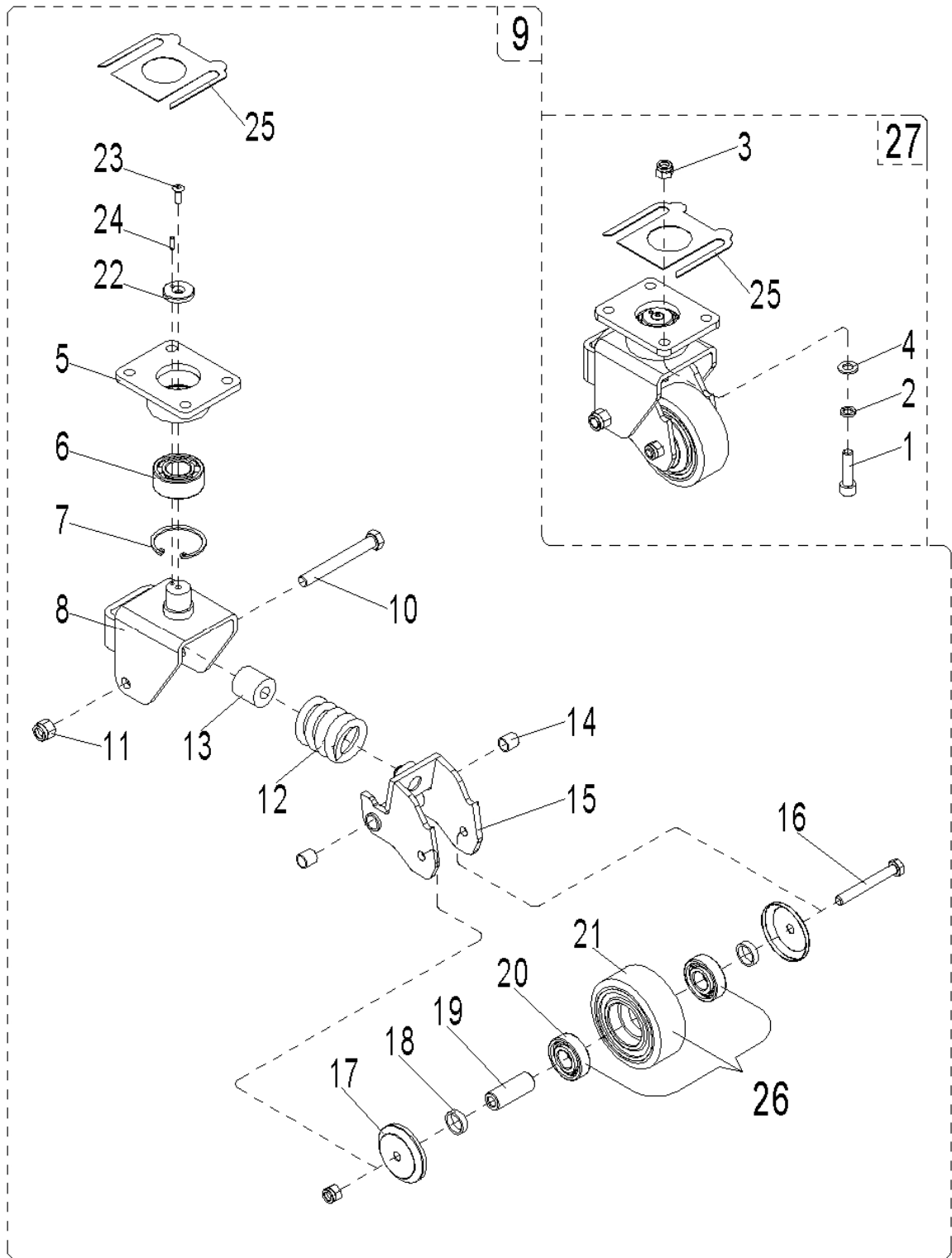


Fig. 8 Spare parts for steering wheel

No.	Art No.	Description	Qty.	Note	Standard
1	0000023025	Screw	8	M10×40	GB/T70.1=ISO4762
2	0000023006	Spring washer	8	10	GB/T93
3	0000023005	Locking nut	10	M10	GB/T889.1=ISO7040
4	0000025002	Flat washer	8	10	GB/T95
5	1000401007	Linking plate	2		
6	0000027002	Bearing	2	3056205	GB/T296
7	0000026002	Retaining ring for hole	2	52	GB/T893.1
8	1000401006	Wheel frame	2		
9	1000400005	Steering wheel	2		
10	1000423004	Screw	2	M12×100	
11	0000024006	Locking nut	2	M12	GB/T889.1=ISO7040
12	1000431002	Spring	2	∅6 L62	
13	1000419001	Polyurethane spring	2		
14	1000413002	Bushing	4	12×15×15	
15	1000401008	Rotating arm	2		
16	0000023035	Bolt	2	M10×80	GB/T5782=ISO4014
17	1000404023	Dust cover	4		
18	1000425003	Washer	4		
19	1000402005	Shaft sleeve	2		
20	0000027001	Bearing	4	6204	GB/T276=ISO3290
21	1000403008	Castor	2	100×40	
22	1000426001	Shaft end retaining ring	2		
23	1000523002	Screw	2	M6×14	
24	0000028004	Cylindrical pin	2	4×14	GB/T119.2=ISO2338
25	1000404031	Adjusting washer		1mm	
	1000404032	Adjusting washer		0.5mm	
26	9000008903	Load wheel kit	2		
27	9000010423	Steering wheel accessories	2		

Fig.9 Spare parts for distribution box

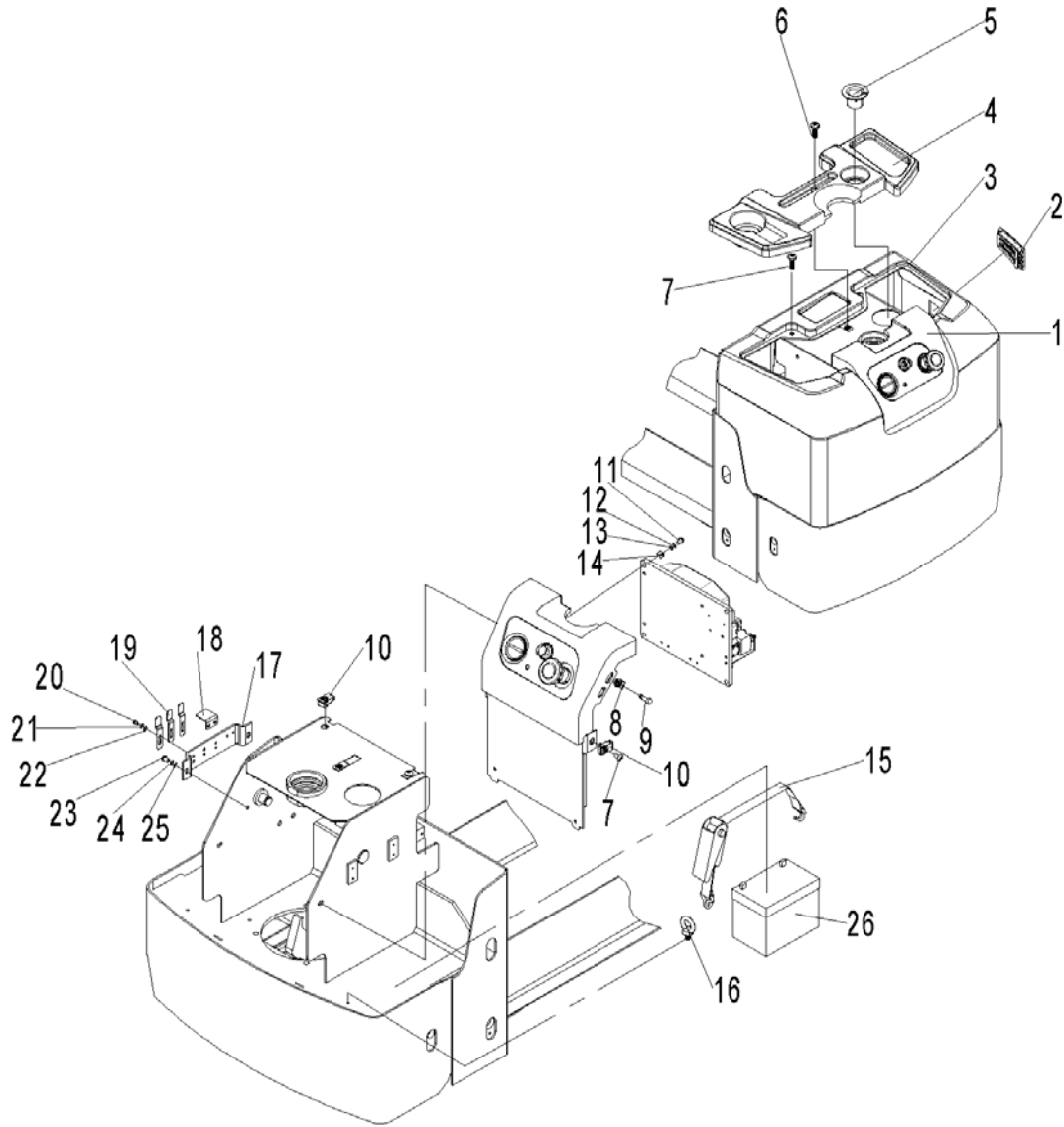


Fig. 9 Spare parts for distribution box

No.	Art No.	Description	Qty.	Note	Standard
1	9000008166	Instrument panel cover	1		
2	9000007923	Right vents components	1		
3	9000008167	Electrical box main cover	1		
4	9000008168	Electrical box upper cover	1		
5	9000008169	Spring wire fixing frame	1		
6	9000007792	Screw	1	M10×45	
7	1000423001	Screw	4	M10×20	
8	9000007784	Nut	5	M8	
9	0000023078	Screw	4	M8×16	GB/T70.2=ISO7380
10	9000007783	Nut	5	M10	
11	0000023044	Screw	4	M8x20	GB/T70.1=ISO4762
12	0000025004	Washer	4	8	GB/T93
13	0000025005	Washer	4	8	GB/T95
14	1000403010	Clip	3		
15	1010400004	Battery strip	2		
16	0000023068	Screw	2	M8	GB/T825= ISO3266
17	9000008170	Plug assembly plate	1		
18	1010404006	Fixing plate	1		
19	1000204002	Connector seat	3		
20	0000023611	Screw	8	M4×10	GB/T70.1=ISO4762
21	0000025009	Washer	8	4	GB/T93
22	0000025008	Washer	8	4	GB/T95
23	0000023311 0000023311	Screw	2	M5×10	GB/T70.2=ISO7380
24	0000025015	Washer	2	5	GB/T93
25	0000025014	Washer	2	5	GB/T95
26	1000432001	Battery assembly	2		

Fig.10 Electrical components

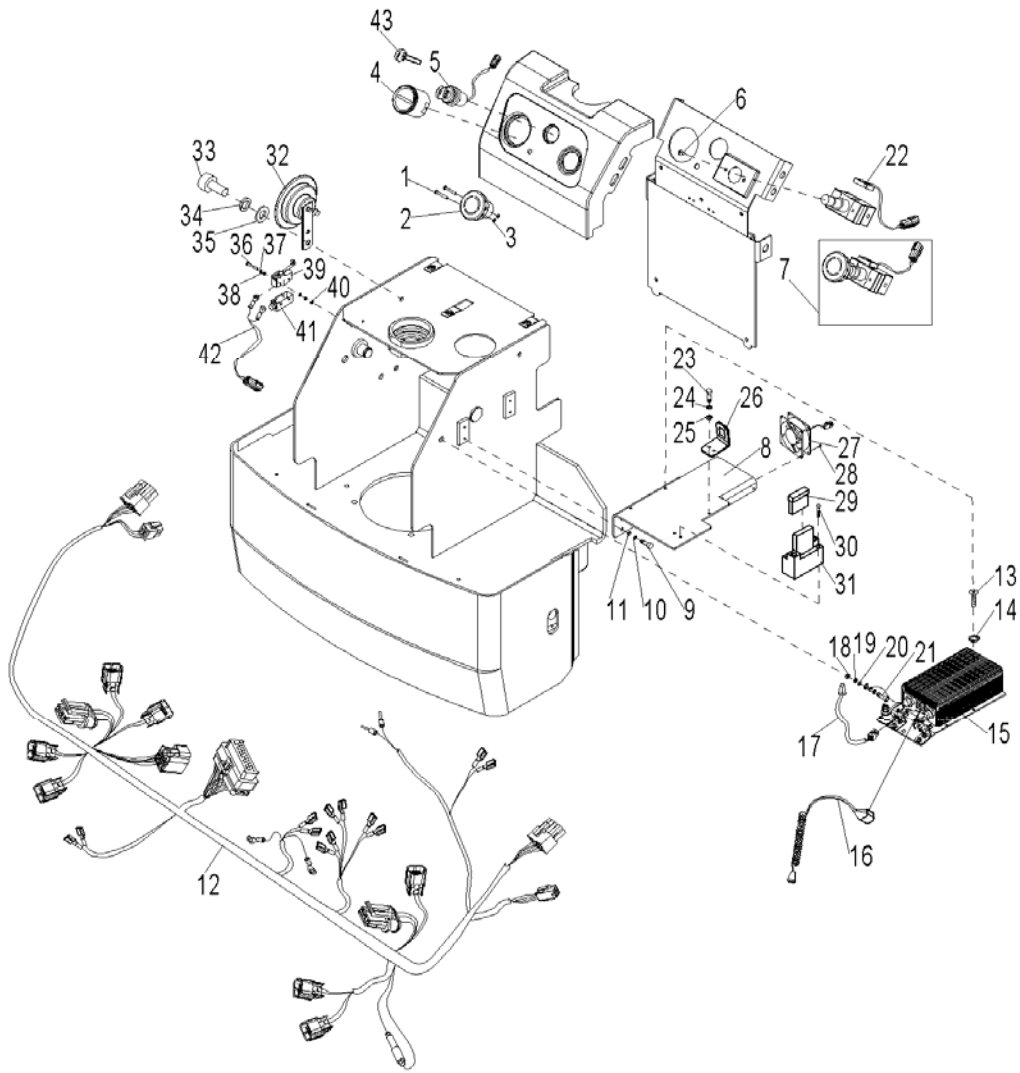
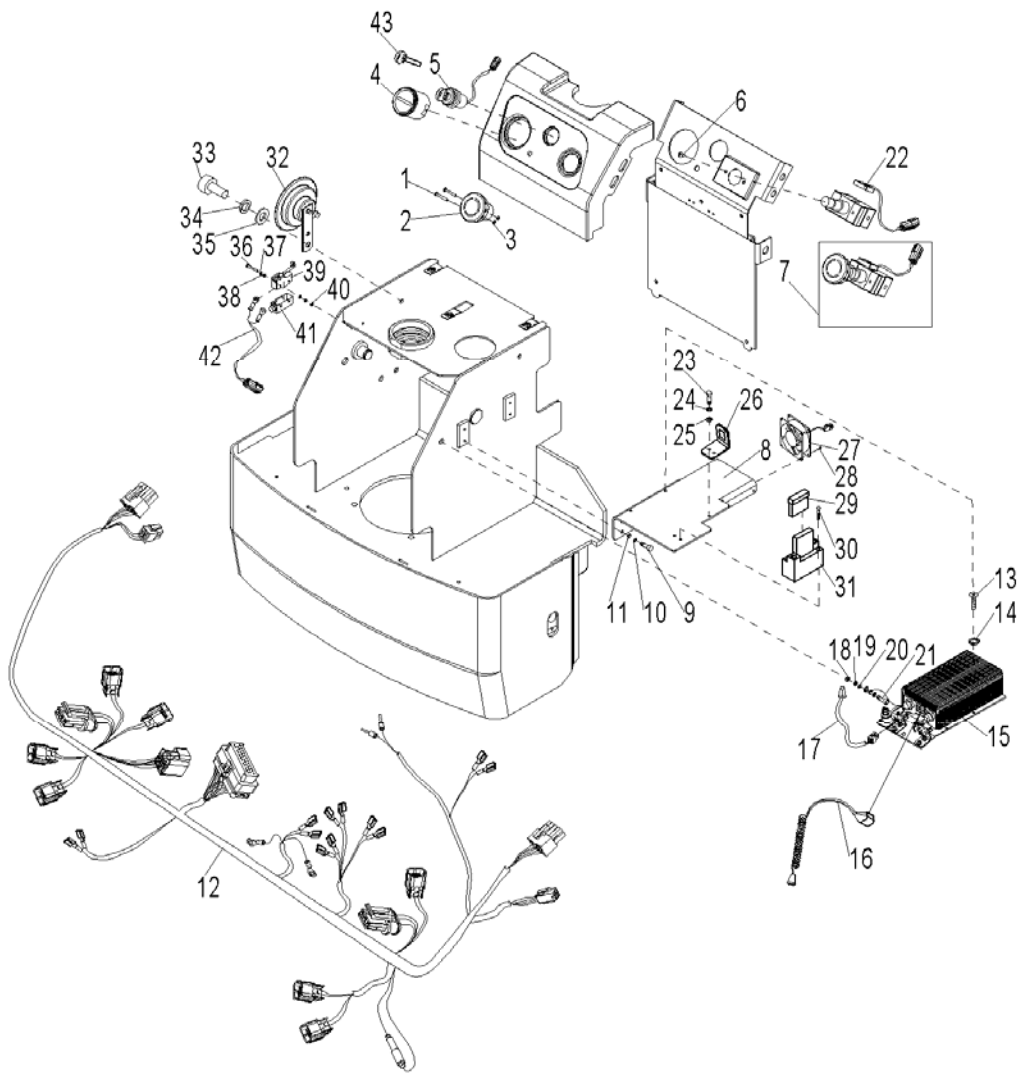


Fig.10 Electrical components

No.	Art No.	Description	Qty.	Note	Standard
1	0000023685	Screw	2	M3×5	GB/T818=ISO7045
2	9000008516	Emergency button head	1	ZDK32-350	
3	0000024002	Nut	2	M3	GB/T6170= ISO4032
4	1000434025	Indicator	1	CURTIS 803	
5	9000008326	Key switch	1	LKS-101A	
6	0000023215	Screw	2	M5x10	GB/T70.3
7	9000008515	DC power supply	1	ZDK32-350	
8	9000008641	Charger fixing frame	1		
9	0000025010	Washer	9	6	GB/T93
10	0000023055	Washer	9	6	GB/T95
11	0000025014	Washer	4	5	GB/T95
12	900008379	Main control wiring harness	1		
13	0000023307	Screw	4	M4×10	GB/T818=ISO7045
14	0000025019	Washer	4	4	GB/T95
15	1010434006	Charger	1	24V/8A	
16	1010434009	Power cort plug 3X0.75	1	For AUS	
	1010434011	Power cort plug 3X0.75	1	For UK	
	1010434012	Power cort plug 3X0.75	1	For EU	
	2530334005	Power cort plug 3X0.75	1	For US	
	1010434023	Power cort plug 3X0.75	1	For Asia	
17	1010434016	Charger indicator	1		
18	0000024099	Nut	1	M6	GB/T6170= ISO4032
19	0000025045	Washer	2	6	GB/T93
20	0000025007	Washer	2	6	GB/T95
21	0000023063	Screw	1	M6×16	GB/T70.1=ISO4762
22	9000008517	Proximity switch	1		
23	0000023307	Screw	2	M4×10	GB/T818=ISO7045
24	0000025012	Washer	2	5	GB/T93



25	0000023032	Washer	2	5	GB/T95
26	1010404005	Connector fixing plate	1		
27	1010434007	Fan	1	ADDA DC12V	
28	0000025012	Screw	4	M4×30	GB/T818=ISO7045
29	1010434008	Fuse	1	1A	
30	0000023070	Screw	2	M3×25	GB/T70.1=ISO4762
31	1000434021	Fuse seat	1	BD-1X10A	
32	1000434015	Horn	1	DC24V	
33	0000023012	Screw	1	M8×12	GB/T70.1=ISO4762
34	0000025001	Washer	1	8	GB/T93
35	0000025011	Washer	1	8	GB/T95
36	0000023451	Screw	2	M4×45	GB/T818=ISO7045
37	0000025009	Washer	4	4	GB/T93
38	0000025008	Washer	4	4	GB/T95
39	2040634001	Proximity switch	1	XZ-15GW22-B	
40	0000023069	Nut	2	M4	GB/T6170=ISO4032
41	2040603002	Proximity switch cover	1		
42	9000008381	Limit control cable	1		
43	9000008519	Key	1		

Fig.11 Spare parts for cylinder

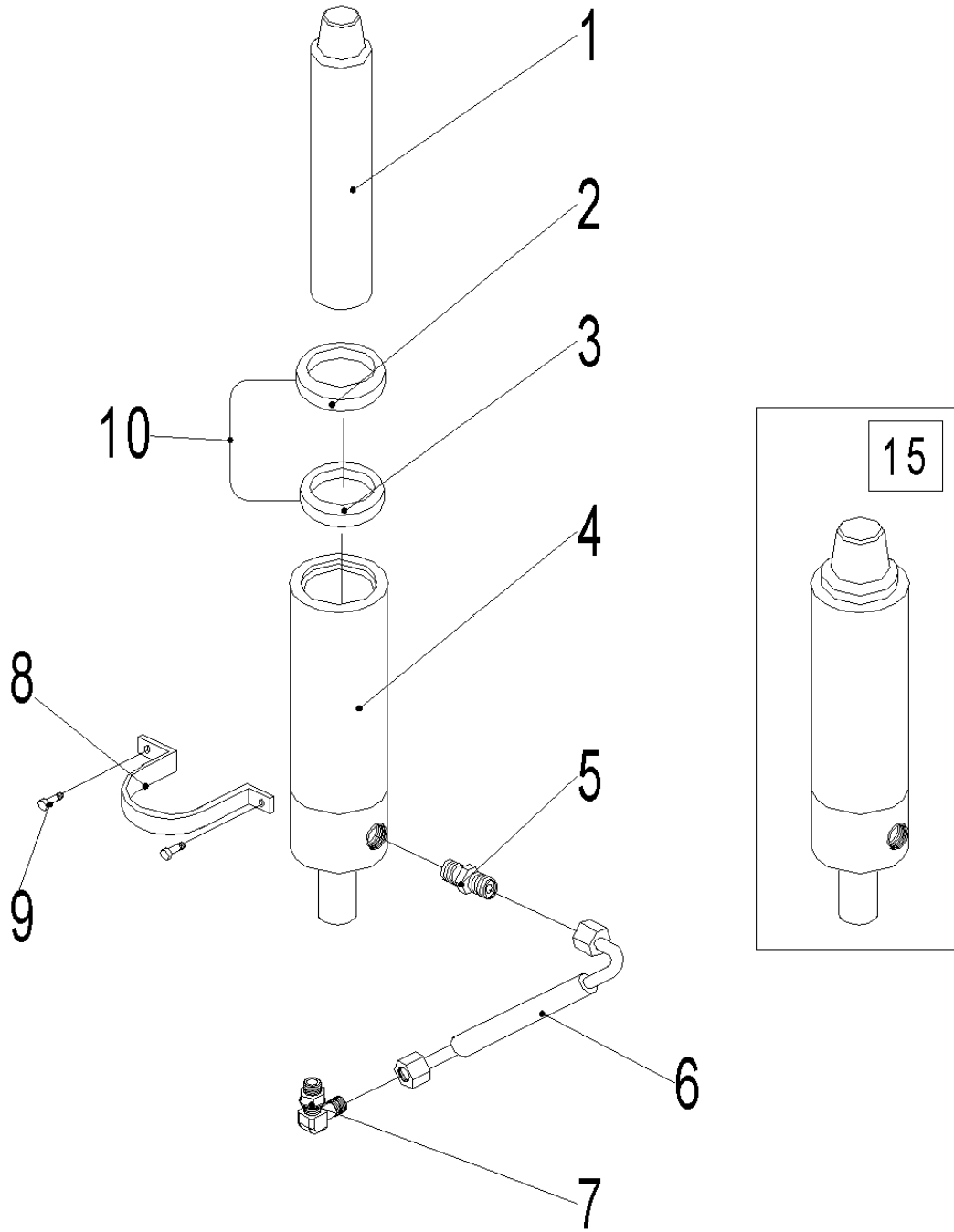


Fig.11 Spare parts for cylinder

No.	Art No.	Description	Qty.	Note	Standard
1	1000300003	Piston rod	1	∅45×175	
2	0000022004	Dust ring	1	∅ 45×∅ 53×6.5	GB/T10708.3
3	0000022003	Seal ring	1	∅ 45×∅ 55×8	GB/T10708.1
4	1000300004	Cylinder body	1		
5	9000007843	Straight joints	1		
6	9000007822	Tube	1		
7	9000007834	Steering joint	1		
8	1000302001	Cylinder hoop	1		
9	0000023042	Screw	2	M6×10	GB/T70.1=ISO4762
10	9000010023	Seal kit	1		
15	1000300005	Pump assembly	1		

Fig.12 Spare parts for pump

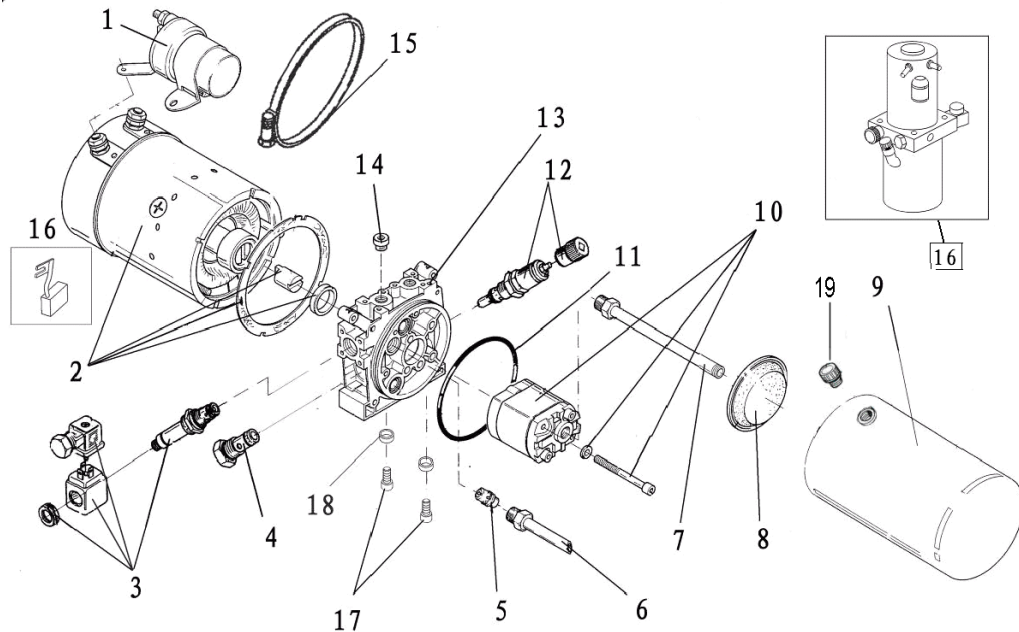


Fig.12 Spare parts for pump

No.	Art No.	Description	Qty.	Note	Standard
1	1000334001	Starte relay	1		
2	1000334002	Motor	1		
3	1000334003	Solenoid valve	1		
4	1000337001	Check valve	1		
5	1000337003	Flow control valve	1		
6	1000317003	Oil return tube	1		
7	1000317004	Oil suction tube	1		
8	1000337002	Filter	1		
9	1000305001	Oil tank	1		
10	1000337004	Gear pump	1		
11	0000022006	O ring	1		
12	1000337005	Overflow valve	1		
13	1000315001	Valve	1		
14	1000337006	Screw plug	1		
15	1000304001	Hoop	1		
16	1000334004	Carbon brush	1		
17	0000023038	Bolt	2	M10×25	GB/T5781
18	1000302002	Washer	2	∅ 20×∅10.5 ×10	
19	1000337007	Oil filling plug	1		
16	1000300001	DC power unit	1		

Fig.13 Tiller arm

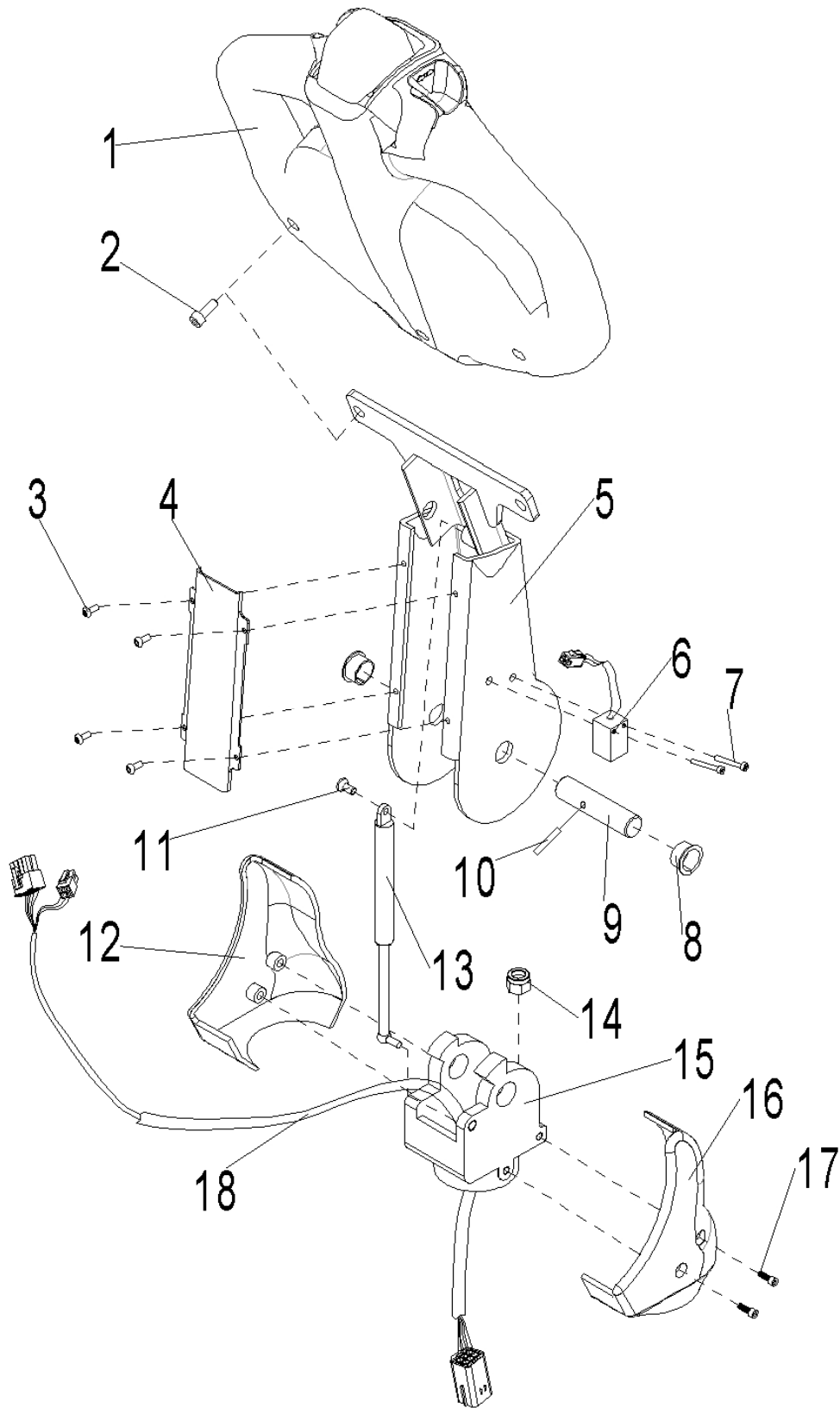


Fig 13 Tiller arm

No.	Art No.	Description	Qty.	Note	
1	1100100001	Canbus handle	1		
2	0000023232	Screw	2	M8 × 25	GB/T5783=ISO4017
3	1000123003	Screw	4	M4 × 8	GB/T70.2=ISO7380
4	9000009961	Long cover board	1		
5	9000009962	Long welded tiller	1		
6	9000002319	Proximity switch	1		
7	0000023075	Screw	2	M3 × 20	GB/T70.1=ISO4762
8	1000113001	Shoulder harness	2	∅ 17 × ∅ 19 × 11	
9	9000007928	Tiller shaft	1		
10	0000028003	Elastic cylindrical pin	1	4 × 24	GB/T879.1=ISO8752
11	0000023044	Screw	1	M8 × 20	GB/T70.1=ISO4762
12	9000007930	Left cover	1		
13	1010121001	Air spring	1	400N	
14	0000023005	Lock nut	2	M10	GB/T889.1=ISO7040
15	9000007929	Tiller base	1		
16	9000007931	Right cover	1		
17	0000023519	Screw	4	M6 × 10	GB/T70.2=ISO7380
18	9000008380	Handle control wiring harness	1		

Fig.14 Tiller

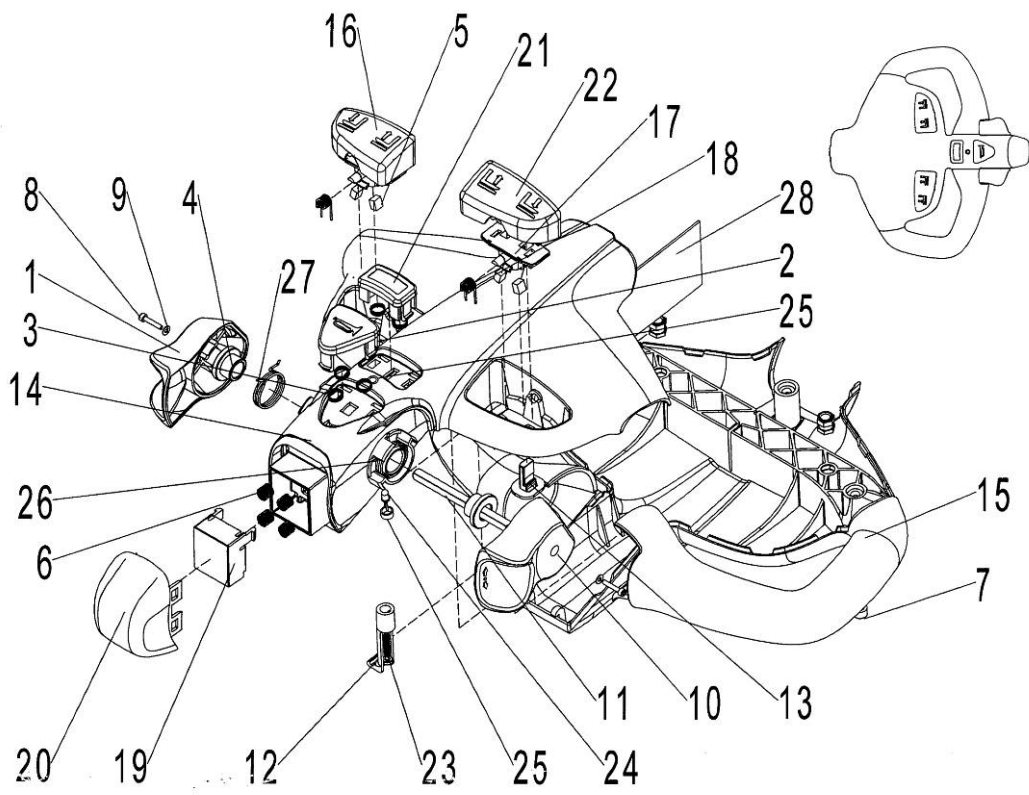


Fig.14 Tiller

No.	Art No.	Description	Qty.	Note	Standard
1	1010114001	Left drive knob	1		
2	1000114015	Horn button	1		
3	1000131009	Horn button spring	5		
4	1000113004	Camshaft bushing	2		
5	1000137001	Magnetic body	4		▲
6	1000131010	Spring	4		
7	0000023058	Screw	3	M6×10	GB/T70.1=ISO4762
8	0000023057	Screw	2	M3×16	GB/T70.1=ISO4762
9	0000025017	Washer	2	3	GB/T95
10	1010114003	Right drive knob	1		
11	1000107002	Shaft for drive knob	1		
12	1000137002	PCB clip	1		
13	1000134005	Sensor	2		
14	1000103012	Upper part of handle	1		
15	1000103013	Lower part of handle	1		
16	1000114017	Left button	1		
17	1000137003	Fixed seat for magnet	2		
18	1000131011	Torsional spring	2		
19	1000114018	Emergency changeover seat	1		
20	1000114020	External cover for emergency changeover	1		
21	1000114021	External cover for option switch	1		
22	1000114022	Right button	1		
23	0000023060	Screw	1	ST4.2× 25	
24	1000134006	LED bi-colour light	1		
25	1000103014	LED bi-colour light seat	1		
26	1000131012	Right driving knob torsional spring	1		
27	1000131013	Left driving knob torsional spring	1		
28	1100135001	PCB	1		

Fig.15 Controller parts

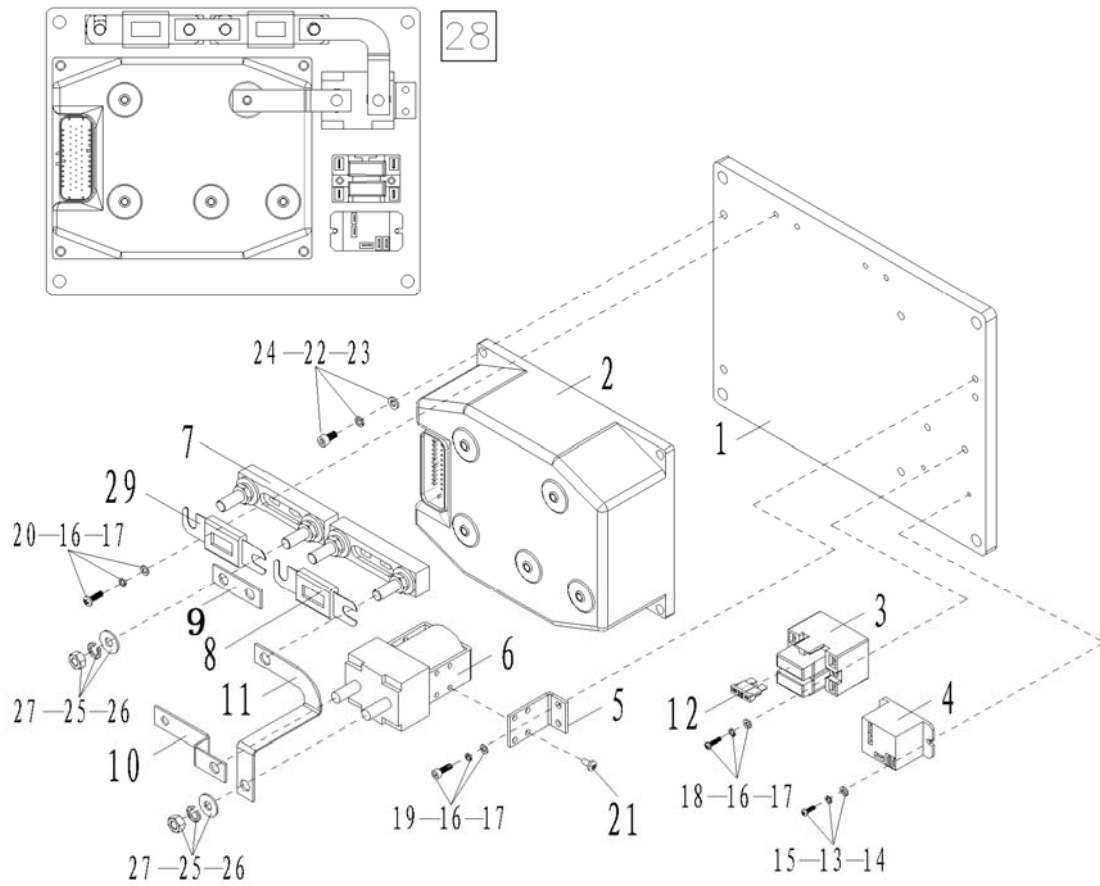


Fig.15 Controller parts

No.	Art No.	Description	Qty.	Note	Standard
1	9000008391	Controller assembly plate	1		
2	9000000235	Controller	1	CURTIS 1232E-2121	
3	9000008586	Fuse seat	1	BD-2×10A-1	
4	9000002322	Relay	1	ARP12F-1CDC24V	
5	9000008598	Main contactor assembly plate	1	▲	
6	1000434006	Traction motor contactor	1	C100/120 DC24V	
7	1000434007	Fuse seat	2	SY Y	
8	2210434004	Fuse	1	150A	
9	1020434003	Copper bar 1	1		
10	9000008388	Copper bar	1		
11	9000008387	Copper bar	1		
12	1000434040	Fuse	1	10A	
13	0000025018	Washer	8	4	GB/T93
14	0000025019	Washer	8	4	GB/T95
15	0000023071	Screw	4	M4×8	GB/T818=ISO7045
16	0000025009	Washer	2	4	GB/T93
17	0000025008	Washer	2	4	GB/T95
18	0000023019	Screw	2	M4×30	GB/T818=ISO7045
19	0000023023	Screw	2	M4×10	GB/T818=ISO7045
20	0000023211	Screw	2	M4×16	GB/T818=ISO7045
21	0000023727	Screw	2	M4×6	GB/T818=ISO7045
22	0000025010	Washer	4	6	GB/T93
23	0000023055	Washer	4	6	GB/T95
24	0000023478	Screw	4	M6×12	GB/T70.1=ISO4762
25	0000025001	Washer	10	8	GB/T93
26	0000025011	Washer	10	8	GB/T95
27	0000024086	Nut	10	M8	GB/T6170=ISO4032
28	9000008390	Controller components	1		
29	1010434005	Fuse	1	80A	

Fig.16 Main cable

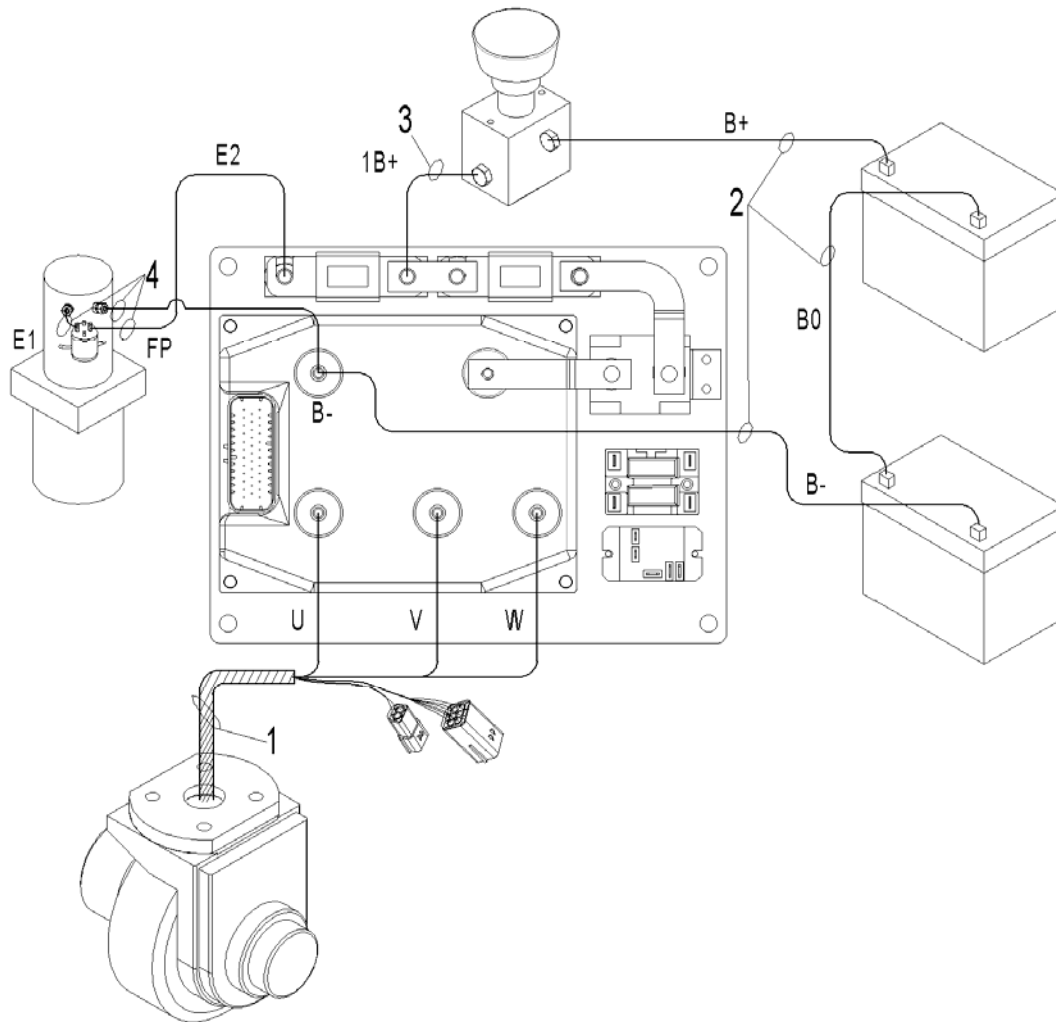


Fig.16 Main cable

No.	Art No.	Description	Qty.	Note	Standard
1	900008382	Drive motor cable	1		
2	900008384	Power supply cable	1		
3	900008385	FU+ cable	1		
4	900008383	Pump motor cable	1		

Fig.17 Sticker (for EU)

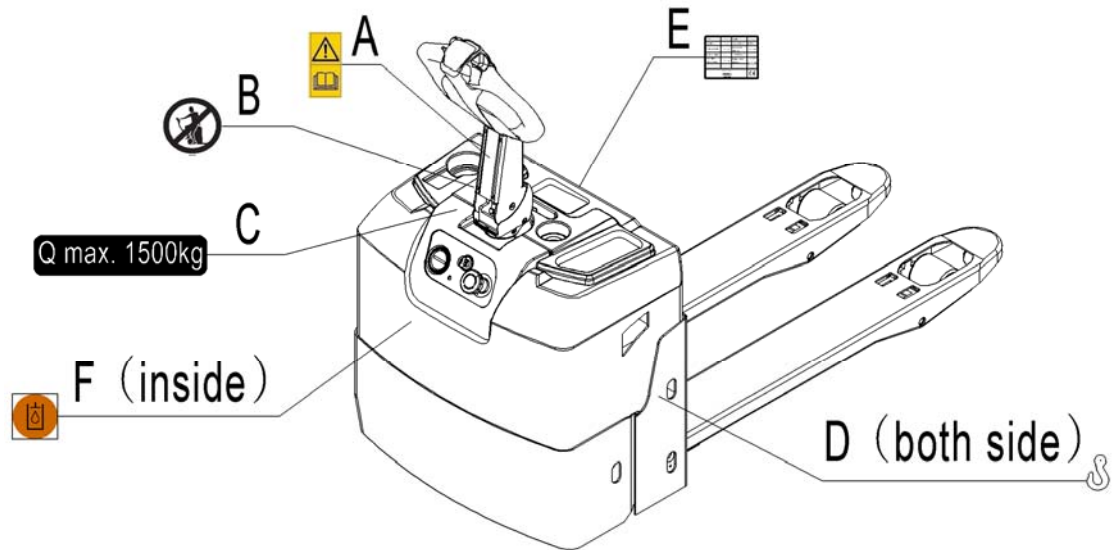


Fig. 17 Sticker (for EU)

No.	Art No.	Description	Qty.	Note	Standard
A	9000003570	Warning sticker	1		
B	9000003573	'No passengers' decal	1		
C	9000008537	Sign capacity sticker(1500 kg)	1		
D	9000005967	Lifting sticker	1		
E	9000008645	CE sticker	1		
F	9000008555	Filling sticker	1		

Fig.18 Sticker (for US)

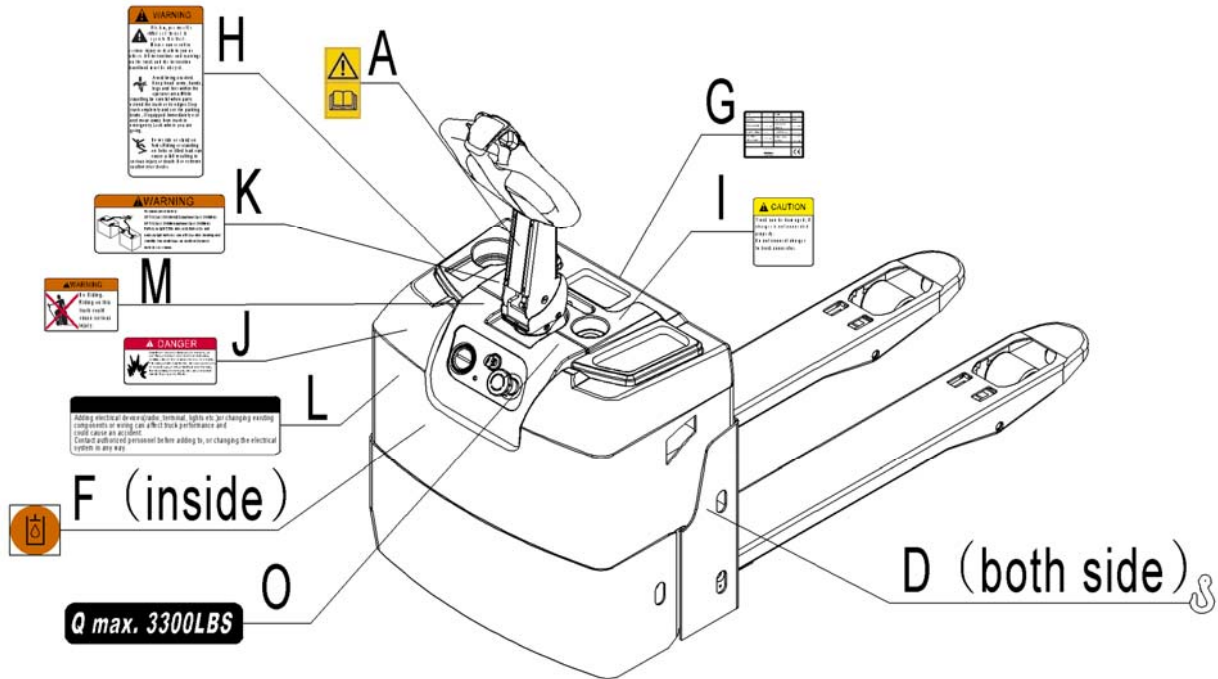


Fig.18 Sticker (for US)

No.	Art No.	Description	Qty.	Note	Standard
A	9000003570	Warning sticker	1		
D	9000005967	Lifting sticker	1		
F	9000008555	Filling sticker	1		
G	9000008926	CE sticker	1		
H	9000003575	Warning sticker	1		
I	9000003576	Warning sticker	1		
J	9000003577	Warning sticker	1		
K	9000008582	Warning sticker	1		
L	9000003579	Warning sticker	1		
M	9000003580	Warning sticker	1		
O	9000009402	Sign capacity sticker(3300 LBS)	1		

Easy worn parts list

No.	Part number	Name	Qty.	Fig./Position	Note
1	0000027006	Bushing $\varnothing 25 \times \varnothing 29 \times 25$	2	Fig.1/3	Fork frame
2	0000027007	Shoulder harness $\varnothing 20 \times \varnothing 23 \times 21.5$	2	Fig.1/5	
3	0000027005	Bushing $\varnothing 20 \times \varnothing 22 \times 12$	4	Fig.1/7	
4	0000030002	Oil cup M6	2	Fig.1/8	
5	0000027008	Bushing $\varnothing 18 \times \varnothing 20 \times 15$	4	Fig.1/13	
6	9000008163	Push rod kit	2	Fig.1/[2]	
	9000010424	Push rod kit	2	Fig.1/[2]	
7	9000008921	Load roller assembly	2	Fig.3/19	Load roller
8	9000008922	Load roller assembly	2	Fig.3/20	
9	9000010400	Roller kit	2	Fig.3/21	
10	9000010425	Load wheel kit	4	Fig.3/22	
11	9000010426	Load wheel kit	2	Fig.3/23	
12	9000008923	Load roller assembly	2	Fig.4/18	Load roller
13	9000008924	Load roller assembly	2	Fig.4/19	
14	9000010427	Load wheel kit	4	Fig.4/20	
15	9000010428	Load wheel kit	2	Fig.4/21	
16	0000022001	O seal ring 105x5.7	1	Fig.5/4	
17	1000413001	Bushing $\varnothing 20 \times \varnothing 23 \times 15$	4	Fig.7/4	
18	1000413002	Bushing $\varnothing 12 \times \varnothing 15 \times 15$	4	Fig.8/14	Steering wheel
19	9000008903	Load wheel kit	2	Fig.8/26	
20	9000010423	Steering wheel accessories	2	Fig.8/27	
21	2040634001	Proximity switch XZ-15GW22-B	1	Fig.10/39	
22	0000022004	Dust ring 45x53x6.5	1	Fig.11/2	Cylinder
23	0000022003	Seal ring 45x55x8	1	Fig.11/3	
24	9000010023	Seal kit	1	Fig.11/10	
25	1000113001	Shoulder harness $\varnothing 17 \times \varnothing 19 \times 11$	2	Fig.13/8	Tiller arm
26	1010121001	Air spring	1	Fig.13/13	
27	2210434004	Fuse 150A	1	Fig.15/8	Controller

28	1000434040	Fuse 10A	1	Fig.15/12	parts
29	1010434005	Fuse 80A	1	Fig.15/29	