

Parts & Components Manual
LPT15/LPT15AC POWER PALLET TRUCK

Date:February,2012

Table of Content

FIG. 1 SPARE PARTS FOR FRAME WITH 85MM	2
FIG.2 SPARE PARTS FOR FRAME WITH 75MM HEIGHT	4
FIG.3 SPARE PARTS FOR LOAD WHEEL WITH 85MM HEIGHT.....	6
FIG. 4 SPARE PARTS FOR LOAD WHEEL WITH 75MM HEIGHT	8
FIG. 5 DRIVING SYSTEM.....	10
FIG. 6 SPARE PARTS FOR CHASSIS	12
FIG. 7 SPARE PARTS FOR STEERING WHEEL	13
FIG. 8 SPARE PARTS FOR DISTRIBUTION BOX.....	15
FIG. 9 SPARE PARTS FOR ELECTRICITY (DC)	17
FIG. 10 SPARE PARTS FOR ELECTRICITY (AC).....	19
FIG. 11 SPARE PARTS FOR BUILT-IN CHARGER	21
FIG. 12 SPARE PARTS FOR BUILT-OUT CHARGER.....	23
FIG. 13 LINKING PARTS FOR ELECTRICITY FOR NOBLELIFT HANDLE AND REMA HANDLE(LPT15DC, BUILT-OUT CHARGER).....	25
FIG. 14 LINKING PARTS FOR ELECTRICITY FOR NOBLELIFT HANDLE AND REMA HANDLE(LPT15DC, BUILT-IN CHARGER).....	25
FIG. 15 LINKING PARTS FOR ELECTRICITY FOR CANBUS HANDLE(LPT15DC, BUILT-OUT CHARGER).....	25
FIG. 16 LINKING PARTS FOR ELECTRICITY FOR CANBUS HANDLE (LPT15DC, BUILT-IN CHARGER).....	31
FIG. 17 LINKING PARTS FOR ELECTRICITY FOR NOBLELIFT HANDLE AND REMA HANDLE (LPT15AC).....	33
FIG. 18 LINKING PARTS FOR ELECTRICITY FOR CANBUS HANDLE (LPT15AC).....	35
FIG. 19 SPARE PARTS FOR PUMP	37
FIG.20 SPARE PARTS FOR PUMP STATION	38
FIG. 21 SPARE PARTS FOR NOBLELIFT HANDLE	39
FIG. 22 SPARE PARTS FOR REMA HANDLE	41
FIG. 23 SPARE PARTS FOR REMA HANDLE.....	42
FIG. 24 SPARE PARTS FOR CAN-BUS HANDLE	44
FIG. 25 SPARE PARTS FOR CANBUS HAND KNOB FOR CAN-BUS	46
FIG. 26 SPARE PARTS FOR DRIVING WHEEL	48
FIG. 27 SPARE PARTS FOR BACK-REST	50
FIG. 28 LPT15 WIRING HARNESS	51

Fig. 1 Spare parts for frame with 85mm

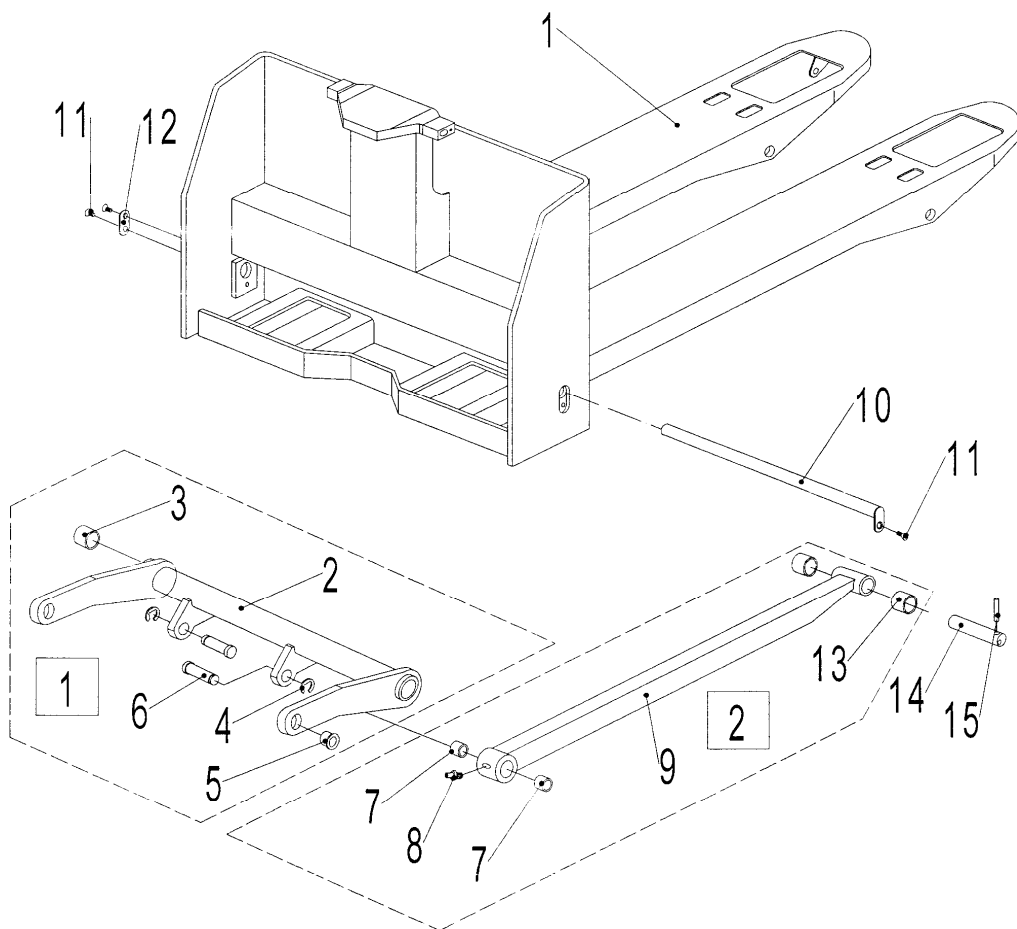


Fig. 1 Spare parts for frame with 85mm

No.	Part Number	Item	Quantity	Remarks
1	1000501001	Frame	1	520X1150
	1000501002	Frame	1	520X 900
	1000501003	Frame	1	520X 800
2	1000501013	Rock arm	1	520
3	0000027006	Bushing	2	
4	0000026001	Split retaining ring	2	
5	0000027007	Shoulder harness	2	
6	1000507019	Connecting shaft	2	
7	0000027005	Bushing	4	
8	0000030002	Greasing cup	2	
9	1000501005	Pushing rod	2	L=1150
9	1000501006	Pushing rod	2	L=900
9	1000501008	Pushing rod	2	L=800
10	1000501010	Shaft for rock arm	1	
11	1000523002	Screw	3	
12	1000504001	Fixed plate	1	
13	0000027008	Bushing	4	
14	1000507020	Shaft for pushing rod	2	
15	0000028016	Elastic pin	2	
①	1000500013	Rock arm assembly (520)	1	520
②	1000500008	Pushing rod assembly	2	L=1150
	1000500009	Pushing rod assembly	2	L=900
	1000500011	Pushing rod assembly	2	L=800

Fig.2 Spare parts for frame with 75mm height

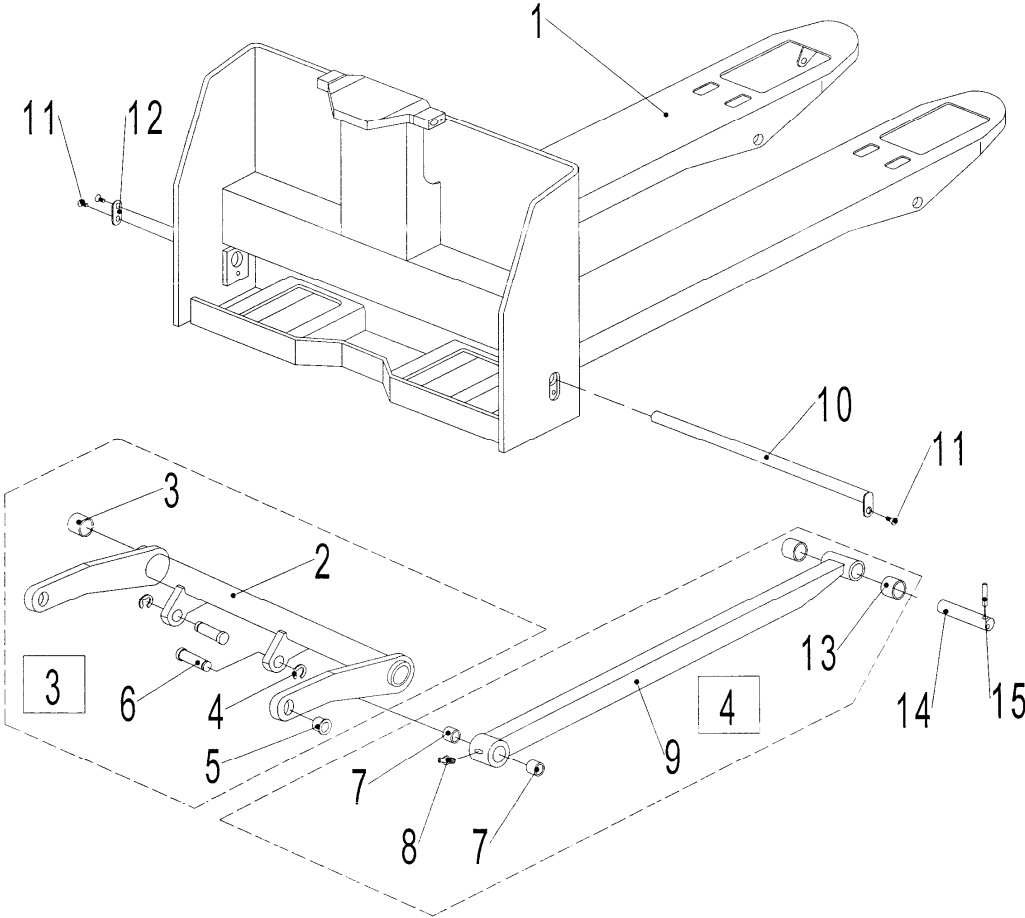


Fig.2 Spare parts for frame with 75mm height

No.	Part Number	Item	Quantity	Remarks
1	1000501004	Frame	1	650X1220
2	1000501014	Rock-arm	1	650
3	0000027006	Bushing	2	
4	0000026001	Split retaining ring	2	
5	0000027007	Shoulder harness	2	
6	1000507019	Connecting shaft	2	
7	0000027005	Bushing	4	
8	0000030002	Greasing cup	2	
9	1000501009	Pushing rod	2	L=1220
10	1000501010	Shaft for pushing rod	1	
11	1000523002	Screw	3	
12	1000504001	Fixed plate	1	
13	0000027008	Bushing	4	
14	1000507004	Shaft for pushing rod	2	
15	0000028009	Elastic pin	2	
3	1000500014	Rock arm assembly(650)	1	650
4	1000500012	Rock arm assembly	2	L=1220

Fig.3 Spare parts for load wheel with 85mm height

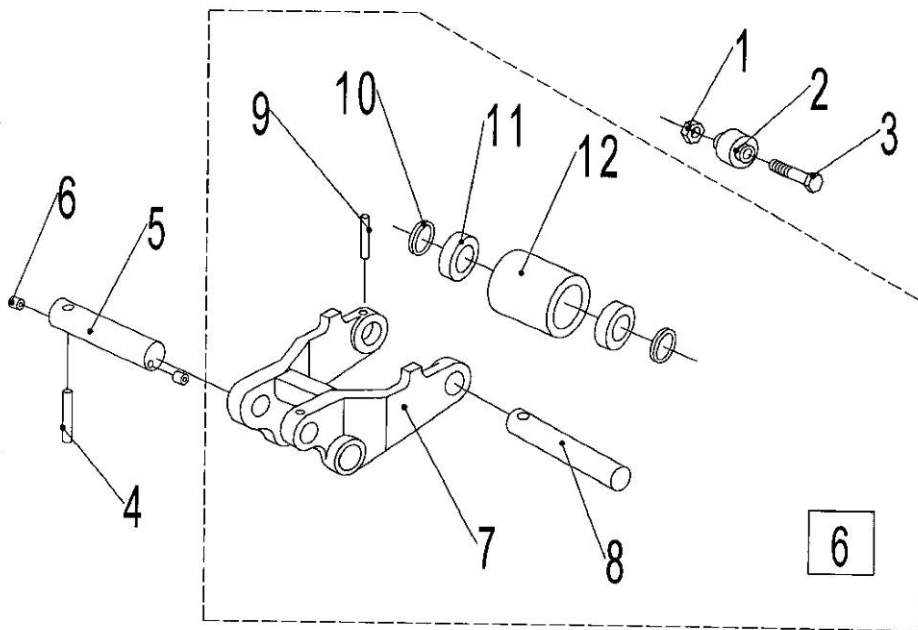
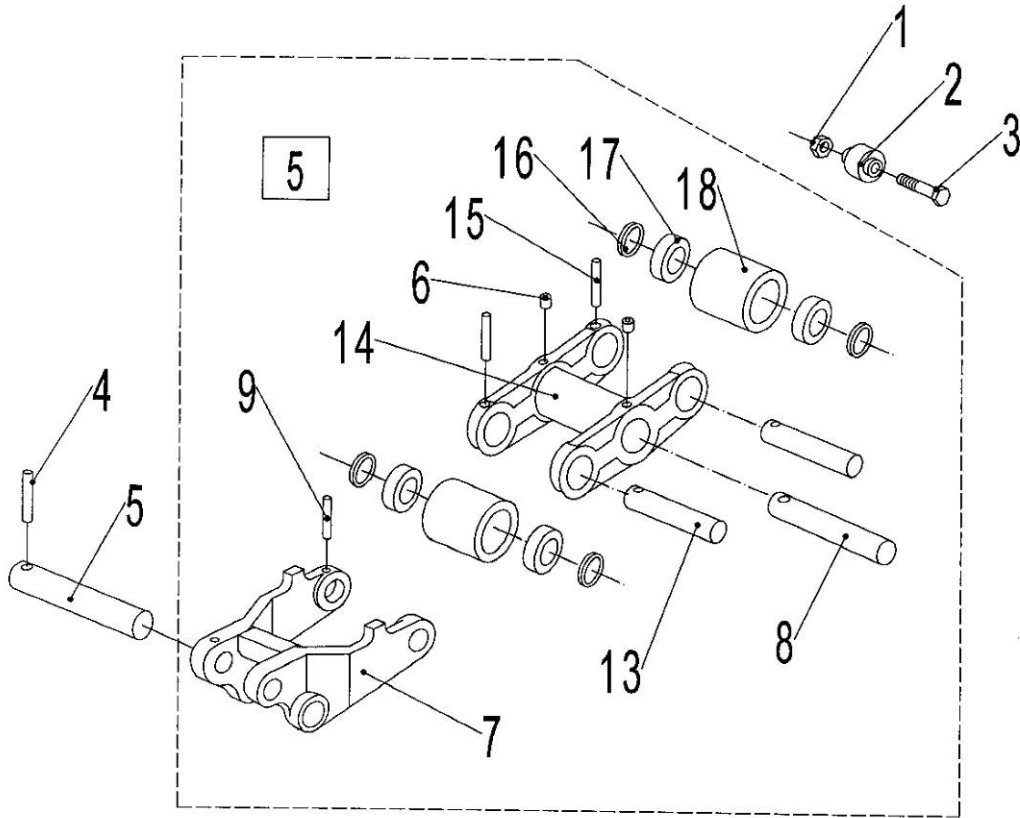


Fig.3 Spare parts for load wheel with 85mm height

No.	Part Number	Item	Quantity	Remarks
1	0000024097	Locking nut	2	
2	1000516001	Enter roller	2	
3	0000023004	Bolt	2	
4	0000028002	Elastic pin	2	
5	1000507003	Shaft for bracket	2	
6	0000030001	Greasing cup	4/8	Single roller 4
7	1000505001	Frame of Roller	2	
8	1000507010	Shaft for load roller	2	
9	0000028007	Elastic pin	2	Single roller
10	1000525001	Washer	4	Single roller
11	0000027001	Bearing	4	Single roller
12	1000516002	Load roller	2	Single roller
13	1000507012	Shaft for load roller	4	Double roller
14	1000505007	Linking plate	2	Double roller
15	0000028006	Elastic pin	4	Double roller
16	1000525001	Washer	8	Double roller
16	1000525001	Washer	8	Double roller
16	1000525001	Washer	8	Double roller
17	0000027003	Bearing	8	Double roller
18	1000507011	Load roller	4	Double roller
5	1000500015	Assembly for Frame of roller	2	Double roller
6	1000500016	Assembly for Frame of roller	2	Single roller

Fig. 4 Spare parts for load wheel with 75mm height

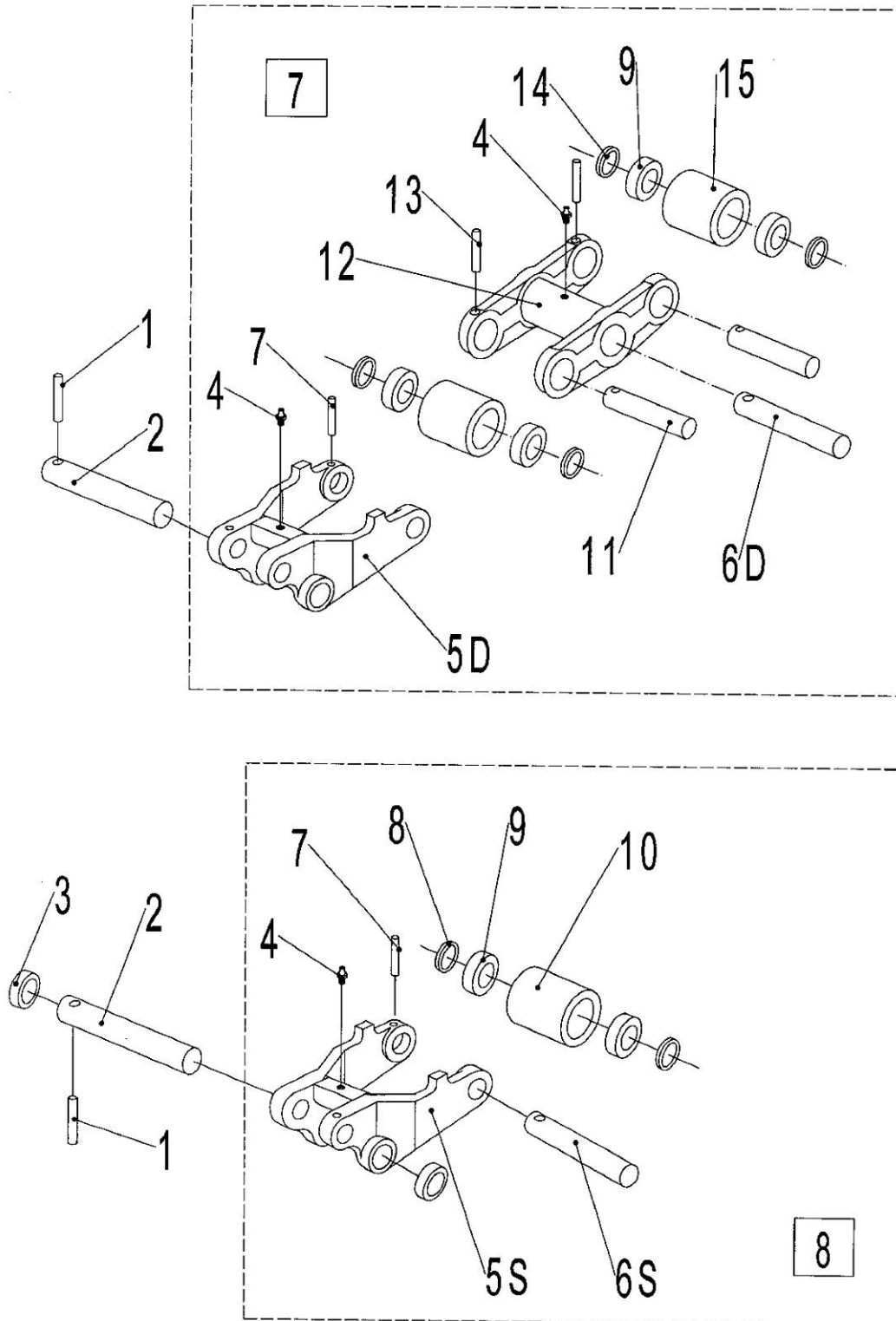


Fig. 4 Spare parts for load wheel with 75mm height

No.	Part Number	Item	Quantity	Remarks
1	0000028009	Elastic pin	2	
2	1000507005	Shaft for frame of roller	2	
3	1000507016	Roller	4	
4	0000030002	Greasing cup	2/4	Single roller:2pcs
5S	1000505011	Frame of roller	2	Single roller
5D	1000505002	Frame of roller	2	Double roller
6S	1000507013	Shaft for load roller	2	Single roller
6D	1000507014	Linking shaft	2	Double roller
7	0000028002	Elastic pin	2	
8	1000525001	Washer	4	Single roller
9	0000027001	Bearing	4/8	Single roller4pcs
10	1000516003	Load roller	2	Single roller
11	1000507015	Shaft for load roller	4	Double roller
12	1000505008	Double wheel carrier	2	Double roller
13	0000028007	Elastic pin	4	Double roller
14	1000525001	Washer	8	Double roller
14	1000525001	Washer	8	Double roller
15	1000516004	Load roller	4	Double roller
7	1000500017	Assembly for Frame of roller	2	Double roller
8	1000500018	Assembly for Frame of roller	2	Single roller

Fig. 5 Driving system

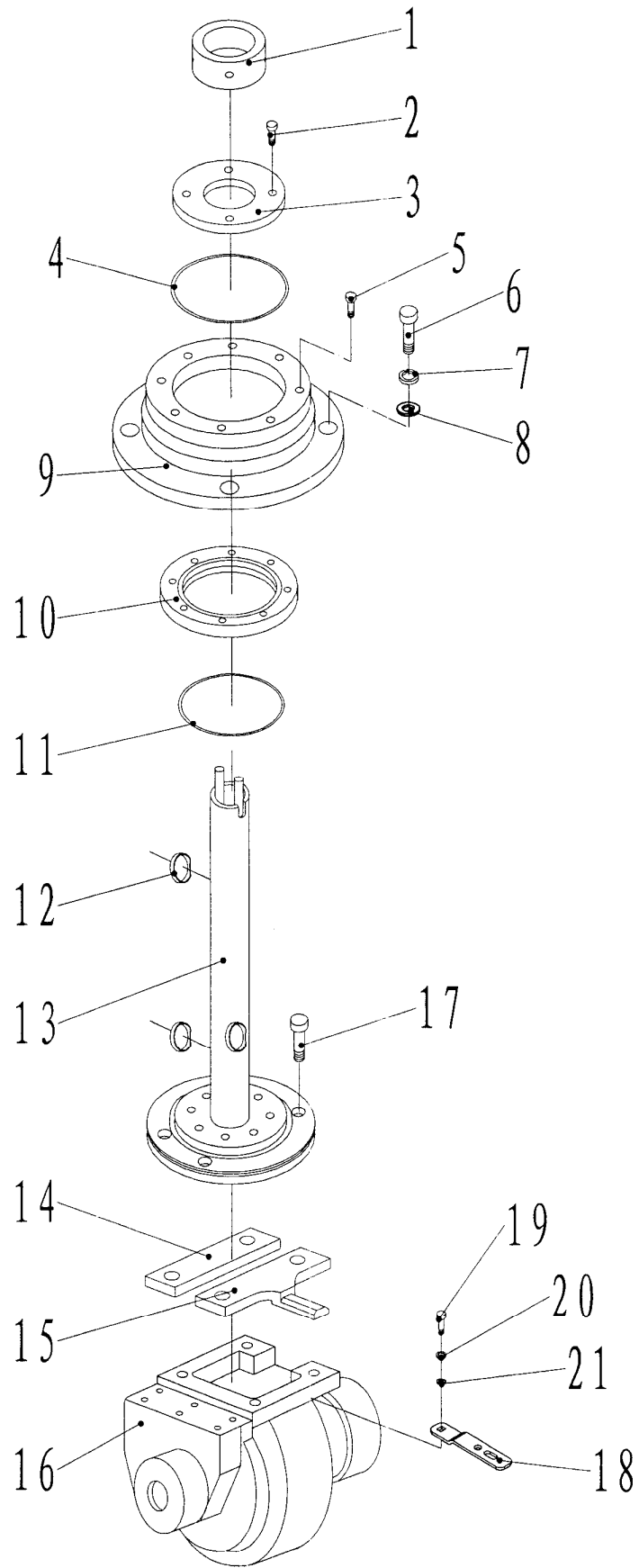


Fig. 5 Driving system

No.	Part Number	Item	Quantit	Remarks
1	1010213001	Bushing	1	
2	0000023020	Screw	4	
3	1000207001	Cover for bearing	1	
4	0000022001	O-ring	1	
5	0000023030	Screw	4	
6	0000023034	Screw	4	
7	0000025002	Flat washer	4	
8	0000023006	Spring washer	4	
9	1000205002	Bearing seat	1	
10	1000227001	Bearing	1	
11	1000225001	Bearing washer	2	
12	1000218001	Rubber bushing	2	
13	1000201001	Long shaft assembly	1	
14	1000204001	Linking plate	1	
15	1000205001	Locating block	1	
16	1000200002	DC driving assembly	1	
16	1000200001	AC driving assembly	1	
17	0000023029	Screw	4	
18	1000204002	Fixed plate for Socket connector	1	
19	0000023059	Screw	2	
20	0000025018	Elastic washer	2	
21	0000025019	Flat washer	2	

Fig. 6 Spare parts for chassis

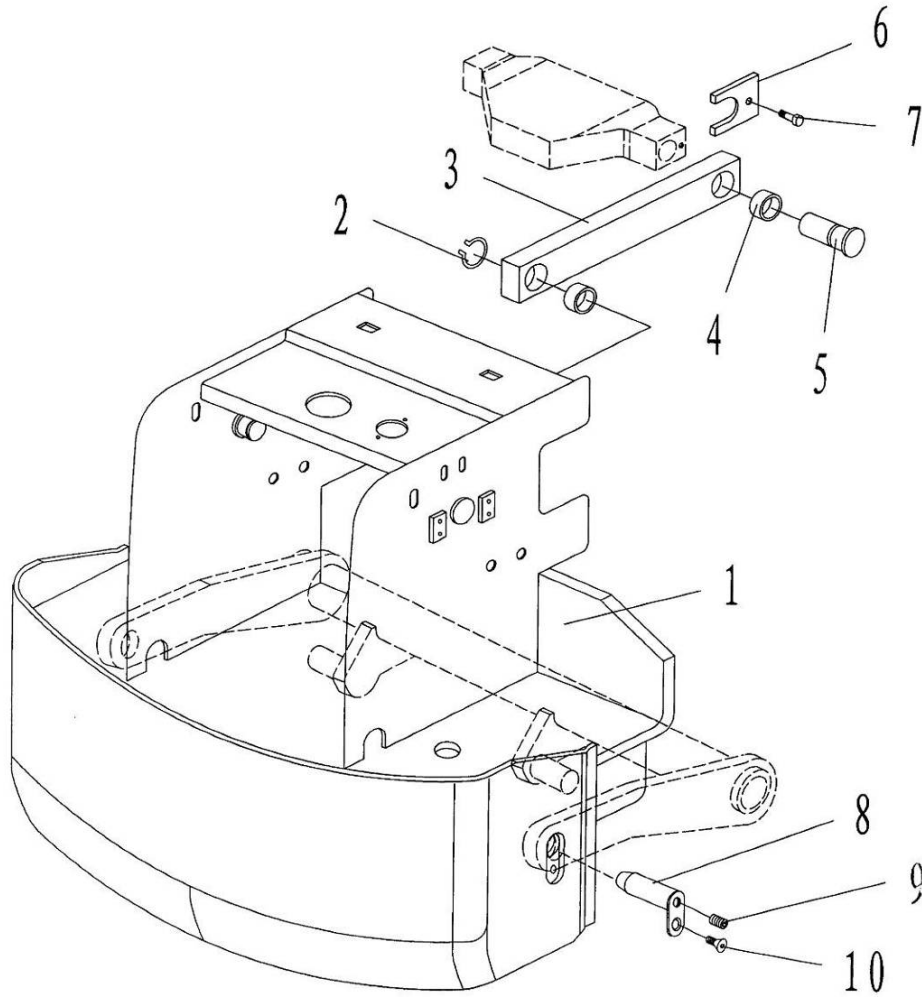


Fig. 6 Spare parts for chassis

No.	Part Number	Item	Quantity	Remarks
1	1000401002	Distribution box	1	85mm height
1	1000401003	Distribution box	1	75mm height
2	0000026001	Split retaining ring	2	
3	1000404007	Linking plate	2	
4	1000413001	Bushing	4	
5	1000407001	Linking pin	2	
6	1000404030	Lock plate	2	
7	0000023053	Screw	2	
8	1000401010	Fixed shaft	2	
9	0000023027	Screw	2	
10	1000523002	Screw	2	

Fig. 7 Spare parts for steering wheel

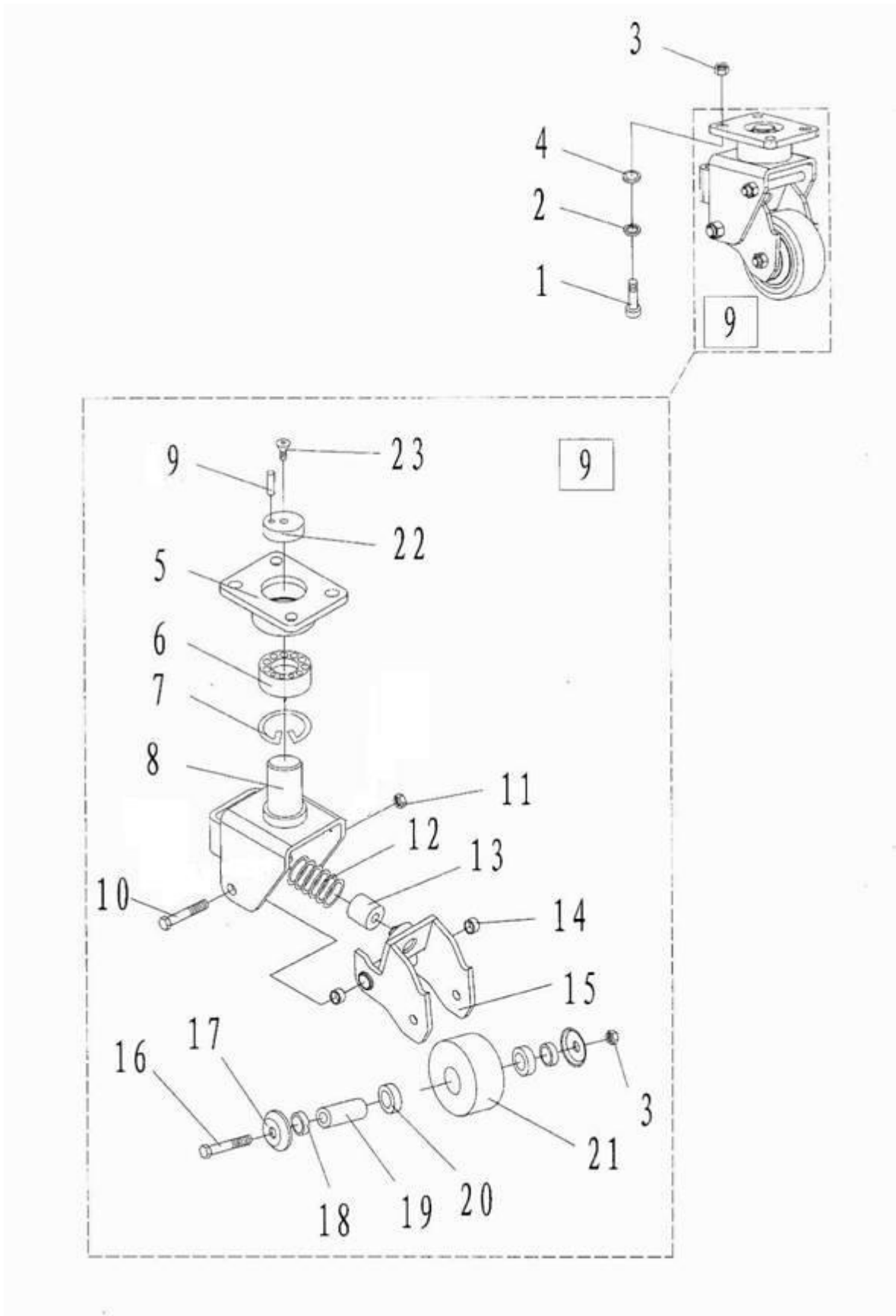


Fig. 7 Spare parts for steering wheel

No.	Part Number	Item	Quantity	Remarks
1	0000023025	Screw	8	
2	0000023006	Spring washer	8	
3	0000023005	Locking nut	10	
4	0000025002	Flat washer	8	
5	1000401007	Linking plate	2	
6	0000027002	Bearing	2	
7	0000026002	Retaining ring for hole	2	
8	1000401006	Steering wheel carrier	2	
9	0000028004	Cylindrical pin	2	
10	1000423004	Bolt	2	
11	0000024006	Locking nut	2	
12	1000431002	Spring	2	
13	1000419001	Polyurethane spring	2	
14	1000413002	Bushing	4	
15	1000401008	Rotating arm	2	
16	0000023035	Bolt	2	
17	1000404023	Dust cover	4	
18	1000425003	Washer	4	
19	1000402005	Shaft sleeve	2	
20	0000027001	Bearing	4	
21	1000403008	Steering wheel	2	
22	1000426001	Shaft end retaining ring	2	
23	1000523002	Screw	2	
9	1000400020	Steering wheel assembly	2	

Fig. 8 Spare parts for distribution box

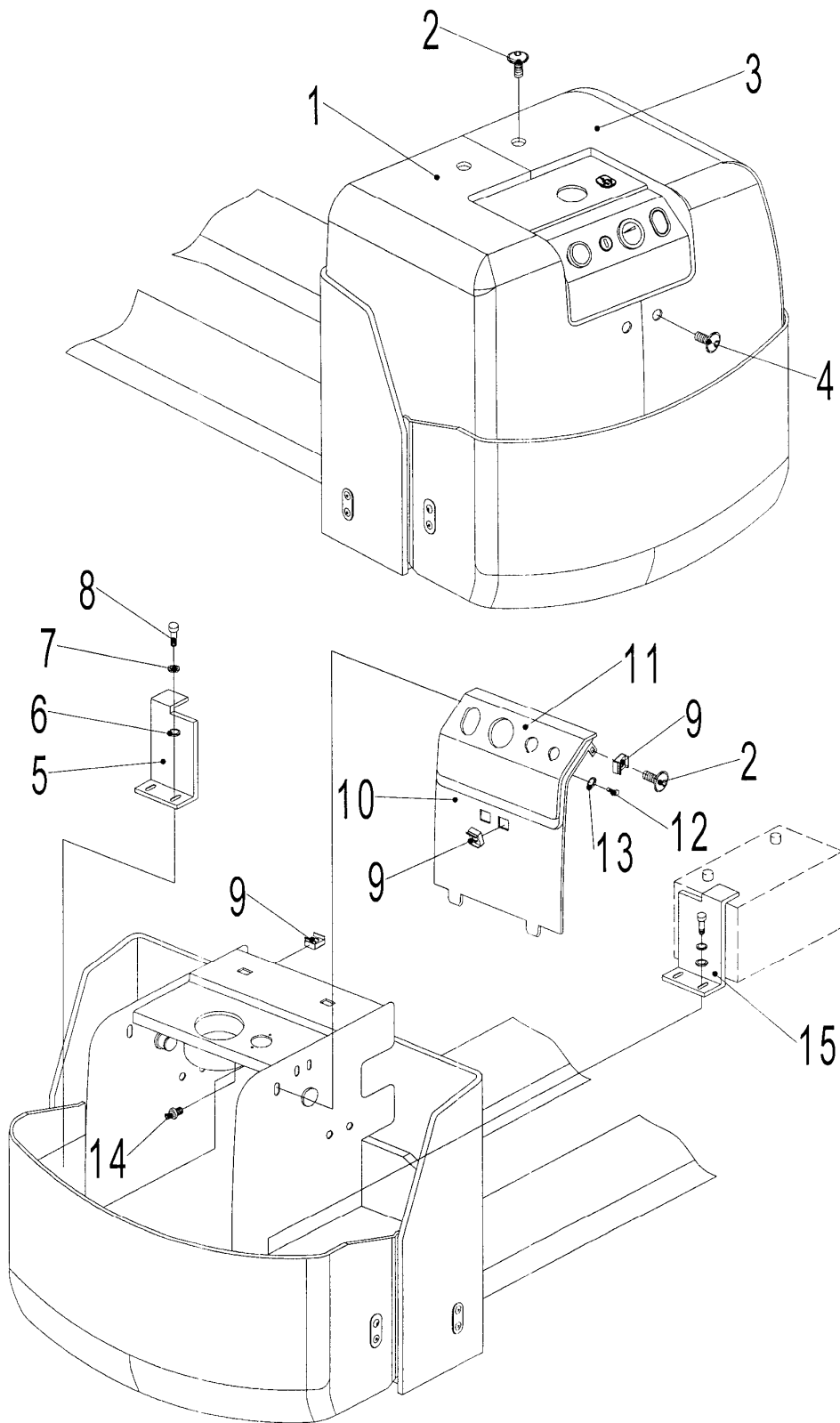


Fig. 8 Spare parts for distribution box

No.	Part Number	Item	Quantity	Remarks
1	1000403006	Left cover	1	
2	1000423001	Screw with washer	4	
3	1000403005	Right cover	1	
4	1000423003	Screw with washer	2	
5	1000404003	Fixed support for left battery	1	
6	0000023055	Flat washer	4	
7	0000025010	Spring washer	4	
8	0000023020	Screw	4	
9	1000424001	Flexible nut	6	
10	1000401011	Fixed plate for controller	1	
11	1000403013	Switch cover	1	Built-in
11	1000403014	Switch cover	1	Built-out
12	0000023039	Screw	4	
13	0000025014	Flat washer	4	
14	0000030002	Greasing cup	1	
15	1000404004	Fixed support for right battery	1	

Fig. 9 Spare parts for electricity (DC)

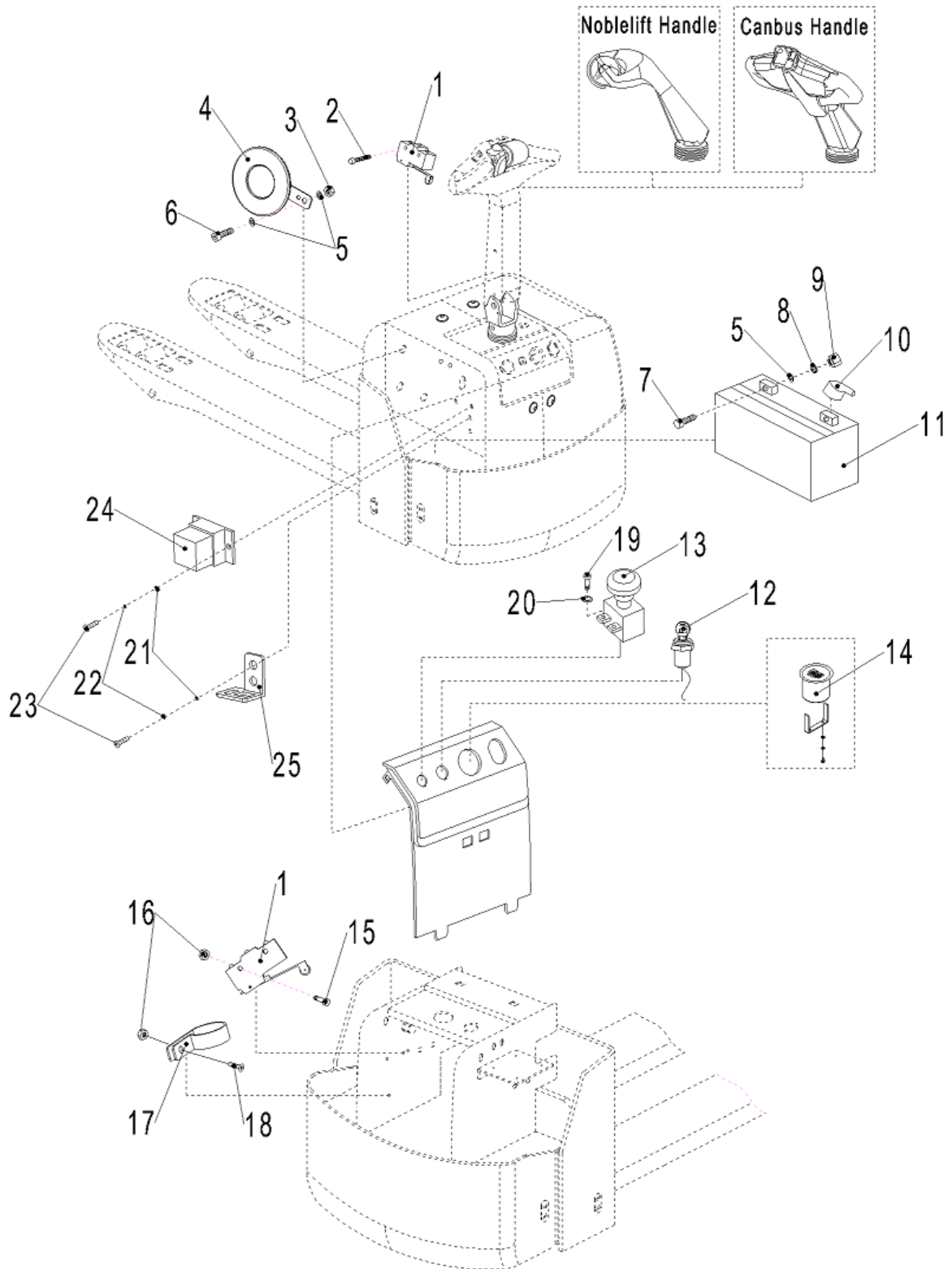


Fig. 9 Spare parts for electricity (DC)

No.	Part Number	Item	Quantity	Remarks
1	1000134001	Micro-switch	2	
2	0000023050	Screw	2	
3	0000024003	Nut	1	
4	1000434015	Horn	1	
5	0000025011	Flat washer	5	
6	0000023044	Screw	1	
7	0000023028	Bolt	4	
8	0000025001	Spring washer	4	
9	0000024005	Nut	4	
10	1000403007	Bushing	4	
11	1000432001	Battery	2	
12	1010434002	Key switch	1	
13	2240434001	DC power switch	1	
14	1000434025	Battery indicator	1	
15	1000423002	Screw	2	
16	0000024004	Nut	3	
17	1000434013	Wiring fixed button	1	
18	0000023056	Screw	1	
19	0000023076	Screw	2	
20	0000025014	Flat washer	2	
21	0000025019	Flat washer	4	
22	0000025018	Spring washer	4	
23	0000023059	Screw	4	
24	1000434003	Protective module	1	
25	1000404005	Connector fixed support	1	

Fig. 10 Spare parts for electricity (AC)

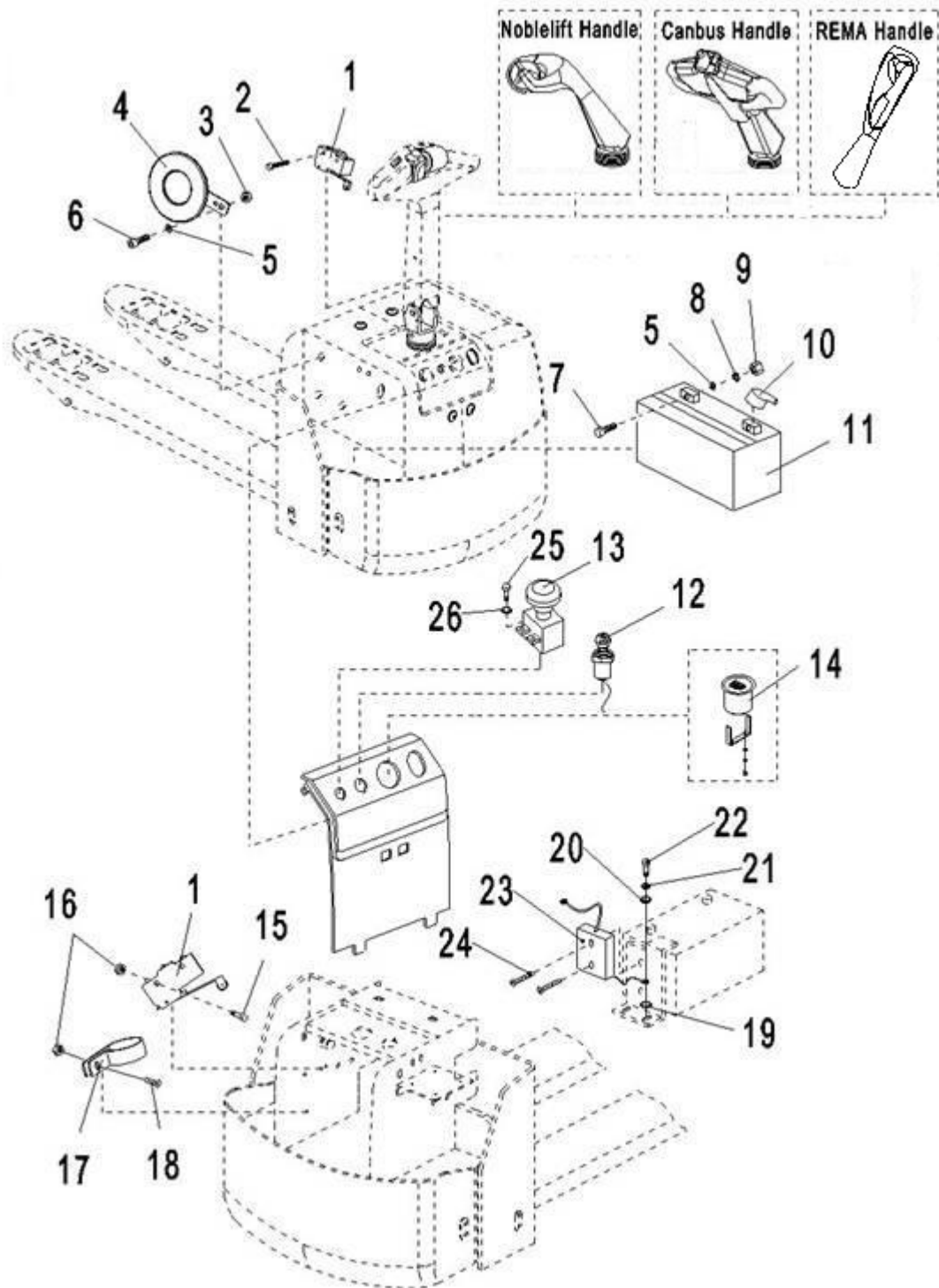


Fig. 10 Spare parts for electricity (AC)

No.	Part Number	Item	Quantity	Remarks
1	1000134001	Micro-switch	1	
2	0000023050	Screw	2	
3	0000024003	Nut	1	
4	1000434015	Horn	1	
5	0000025011	Flat washer	5	
6	0000023044	Screw	1	
7	0000023028	Bolt	4	
8	0000025001	Spring washer	4	
9	0000024005	Nut	4	
10	1000403007	Bushing	4	
11	1000432001	Battery	2	
12	1010434002	Key switch	1	
13	2240434001	DC power switch	1	
14	1000434025	Battery indicator	1	
15	1000423002	Screw	2	
16	0000024004	Nut	3	
17	1000434013	Wiring fixed button	1	
18	0000023056	Screw	1	
19	1000425002	Grounding washer	1	
20	0000023055	Flat washer	1	
21	0000025010	Spring washer	1	
22	0000023020	Screw	1	
23	1000434019	Discharge module	1	
24	0000023033	Screw	2	
25	0000023076	Screw	2	
26	0000025014	Flat washer	2	

Fig. 11 Spare parts for built-in charger

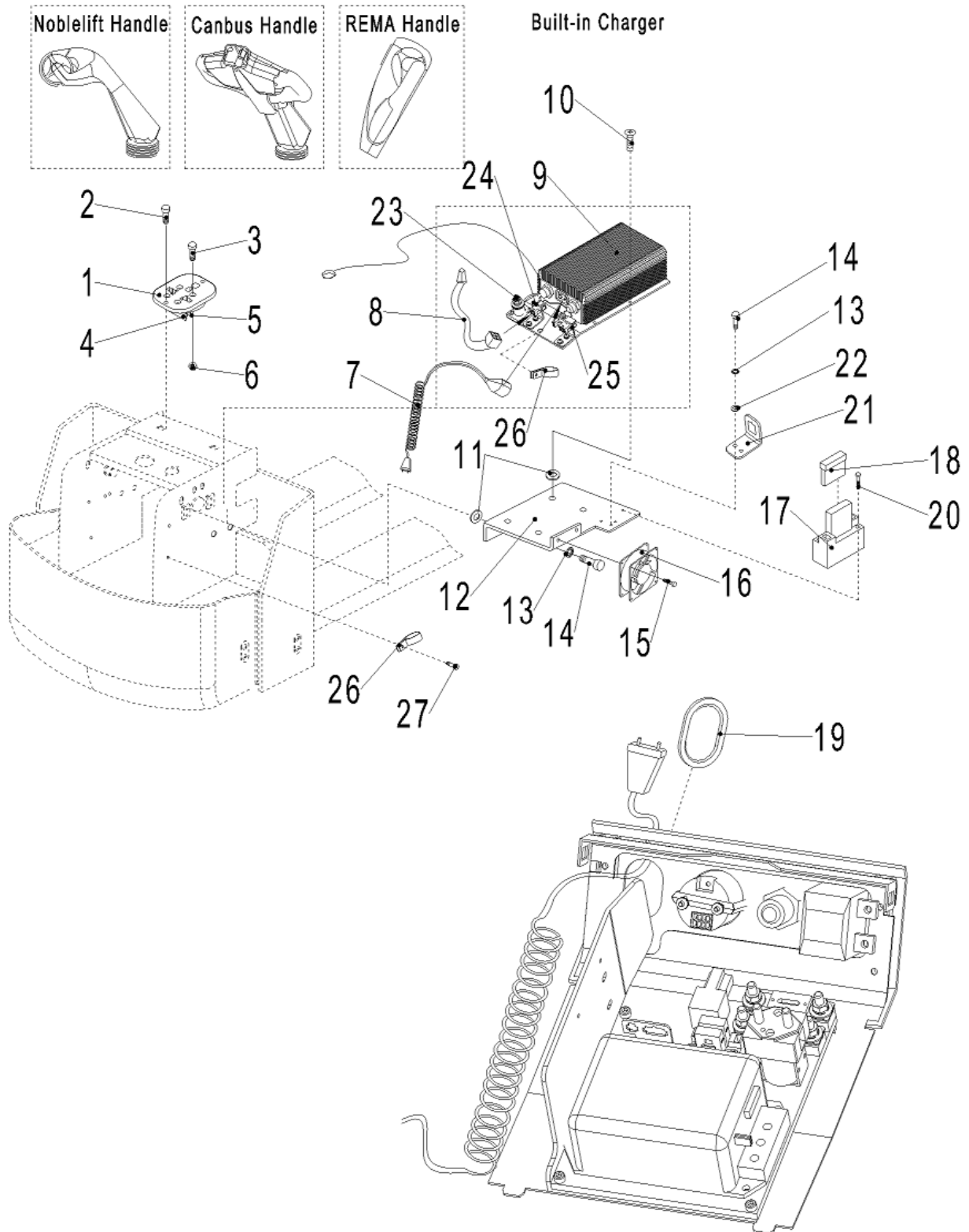


Fig. 11 Spare parts for built-in charger

No.	Part Number	Item	Quantity	Remarks
1	1000403001	Plug seat	1	
2	0000023021	Screw	2	
3	0000023022	Screw	4	
4	1000434011	contact blade (I)	1	
5	1000434012	contact blade (II)	1	
6	0000024002	Nut	4	
7	1010434023	Asian Spring line plug	1	
	1010434012	European Spring line plug		
	1010434009	Australian Spring line plug		
	2530334005	American Spring line plug		
	1010434011	British Spring line plug		
8	1010434016	Charger indicator light	1	
9	1080420001	Charger (230V)	1	
	1080420002	Charger (115V)	1	
10	1000123003	Screw	4	
11	1000418002	Valve washer	8	
12	1000404026	Charger support	1	
13	0000025015	Spring washer	6	
14	0000023039	Screw	6	
15	0000023041	Screw	4	
16	1010434007	Fan (DC 12V)	1	
17	1000434021	Fuse seat	1	
18	1010434008	Fuse 1A	1	
19	1000418001	Bushing	1	
	1000418003	Bushing	1	For American
20	0000023070	Screw	2	
21	1010404005	Connector fixed support	1	
22	0000025014	Flat washer	2	
23	1020434002	M8 binding post	1	
24	1010404006	fixed support	1	
25	1000404005	Connector fixed support	1	
26	1010403005	Wiring clip R	2	
27	1000123003	Screw	1	

Fig. 12 Spare parts for built-out charger

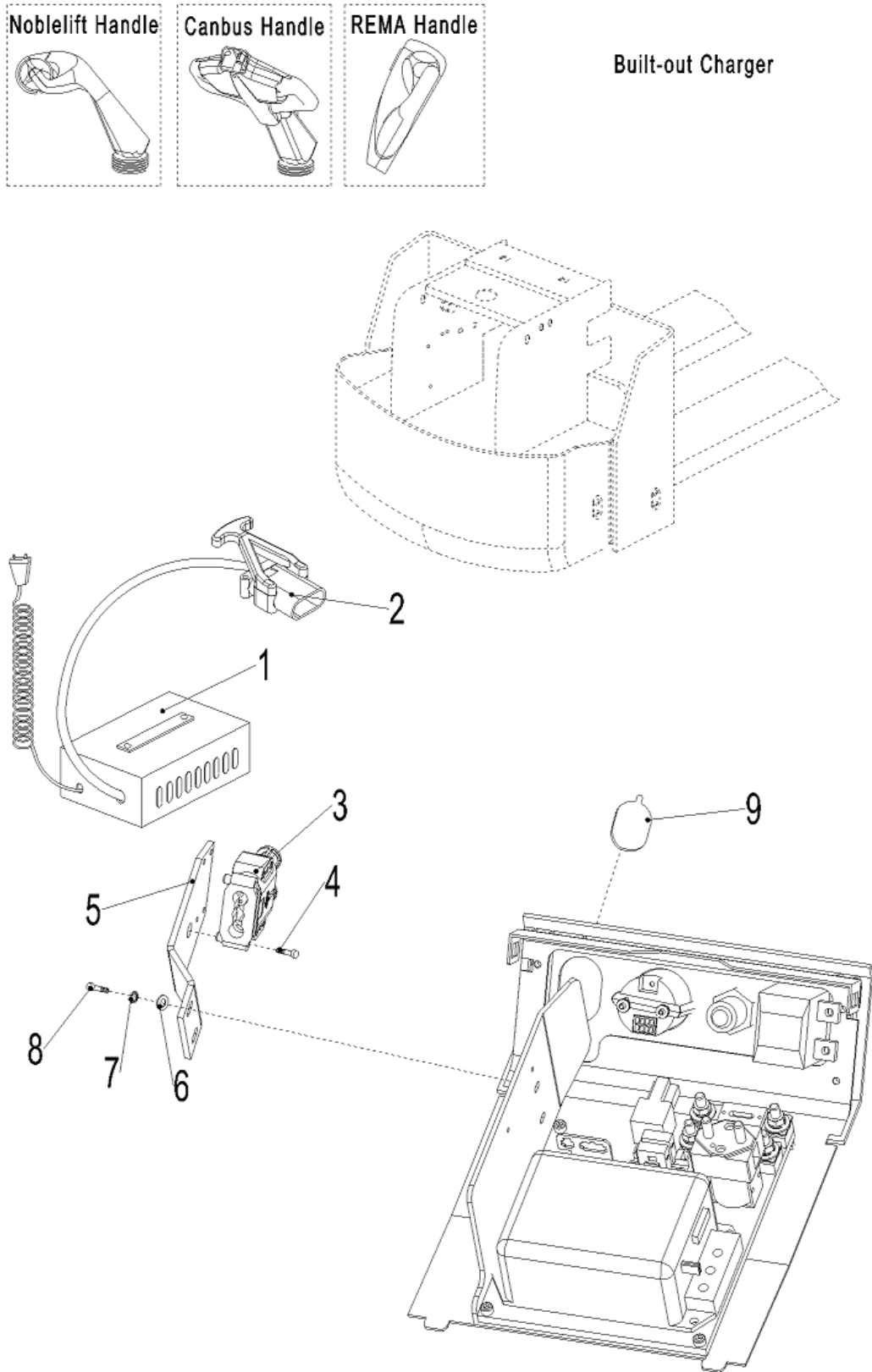


Fig. 12 Spare parts for built-out charger

No.	Part Number	Item	Quantity	Remarks
1	1000400014	Charger 24V/10A	1	Asian in Chinese
	1000400015	Charger 24V/10A		Asian in English
	1000400016	Charger 24V/10A		European
	1000400017	Charger 24V/10A		Australian
	1000400018	Charger 24V/10A		British
	1000400019	Charger 24V/10A		American
2	1000434038	Female connector (81225)	1	
3	1000434039	Female connector (81215)	1	
4	0000023043	Screw	4	
5	1000404028	Socket fixed plate	1	
6	0000025014	Flat washer	2	
7	0000025015	Spring washer	2	
8	0000023039	Screw	2	
9	1000404029	Socket cover	1	

Fig. 13 Linking parts for electricity for Noblelift handle and REMA handle(LPT15DC, Built-out charger)

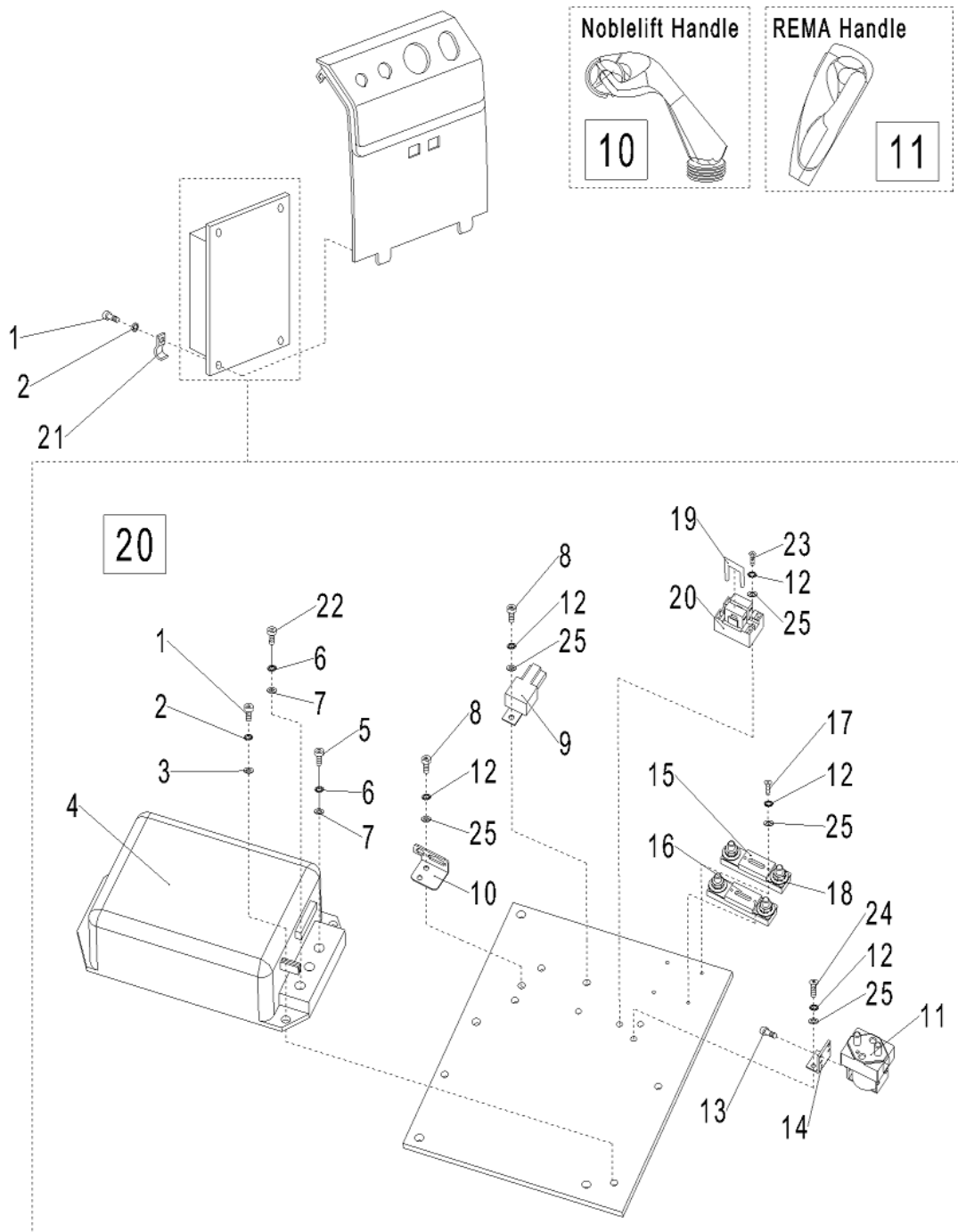


Fig. 13 Linking parts for electricity for Noblelift handle and REMA handle(LPT15DC, Built-out charger)

No.	Part Number	Item	Quantity	Remarks
1	0000023040	Screw	7	
2	0000025006	Spring washer	7	
3	0000025007	Flat washer	3	
4	1000434002	1243-4220 controller	1	
5	0000023013	Screw	1	
6	0000025004	Spring washer	3	
7	0000025005	Flat washer	3	
8	0000023023	Screw	3	
9	1000434041	Relay DC24V	1	
10	1000404006	Connector fixed support	1	
11	1000434006	Contactor	1	
12	0000025009	Spring washer	11	
13	0000023017	Screw	2	
14	1000404002	Contactor fixed support	1	
15	1000434020	Fuse 60A	1	
16	1010434005	Fuse 80A	1	
17	0000023018	Screw	4	
18	1000434007	Fuse seat	2	
19	1000434040	10A Fuse	1	
20	1000434009	Fuse seat	1	
21	1000403010	Wiring clip	1	
22	0000023012	Screw	2	
23	0000023019	Screw	2	
24	0000023016	Screw	2	
25	0000025008	Flat washer	11	
10	1000100011	Noblelift handle assembly (DC)	1	
11	1000100012	REMA handle assembly	1	
20	1000400023	Controller assembly(DC)	1	

Fig. 14 Linking parts for electricity for Noblelift handle and REMA handle(LPT15DC, Built-in charger)

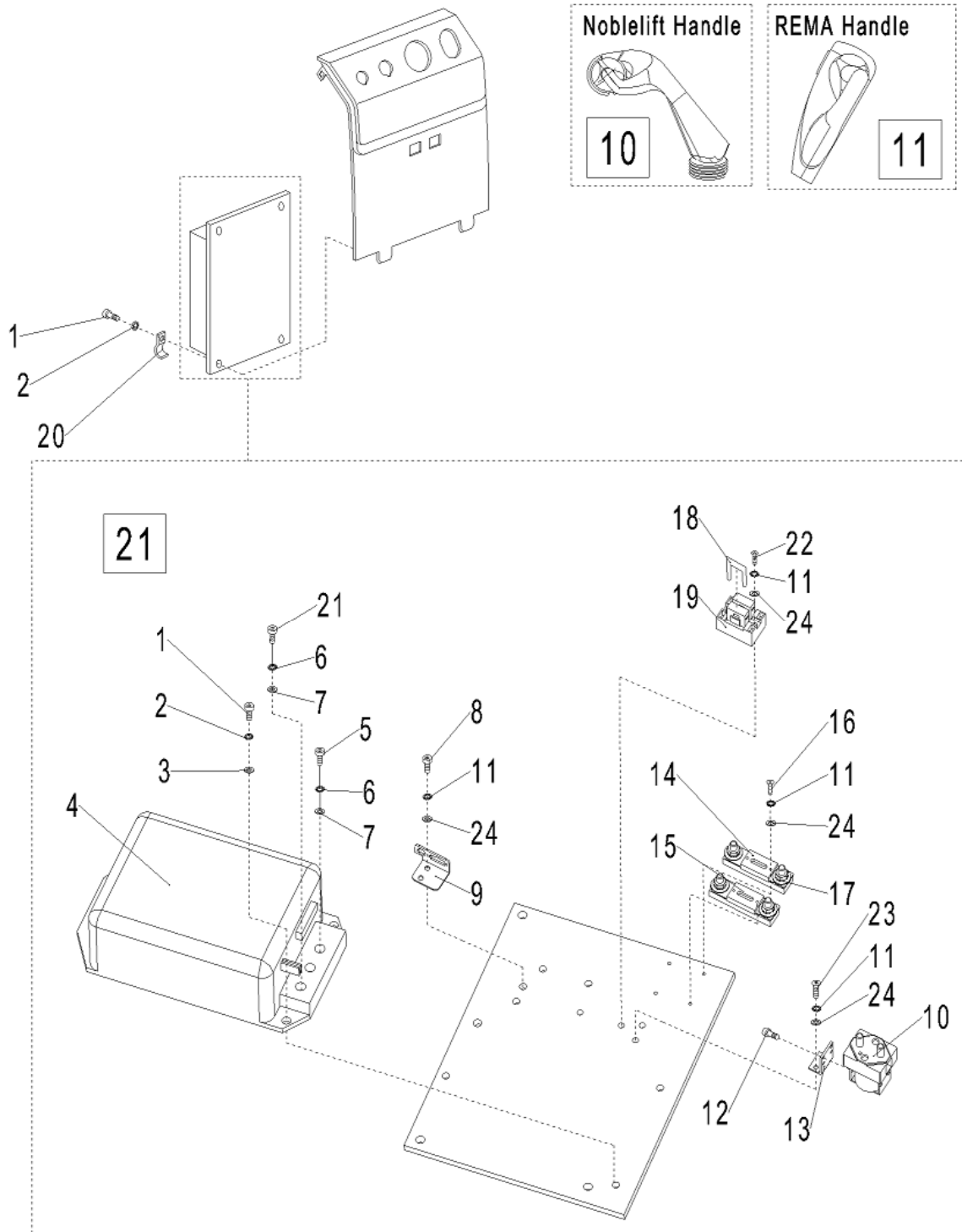
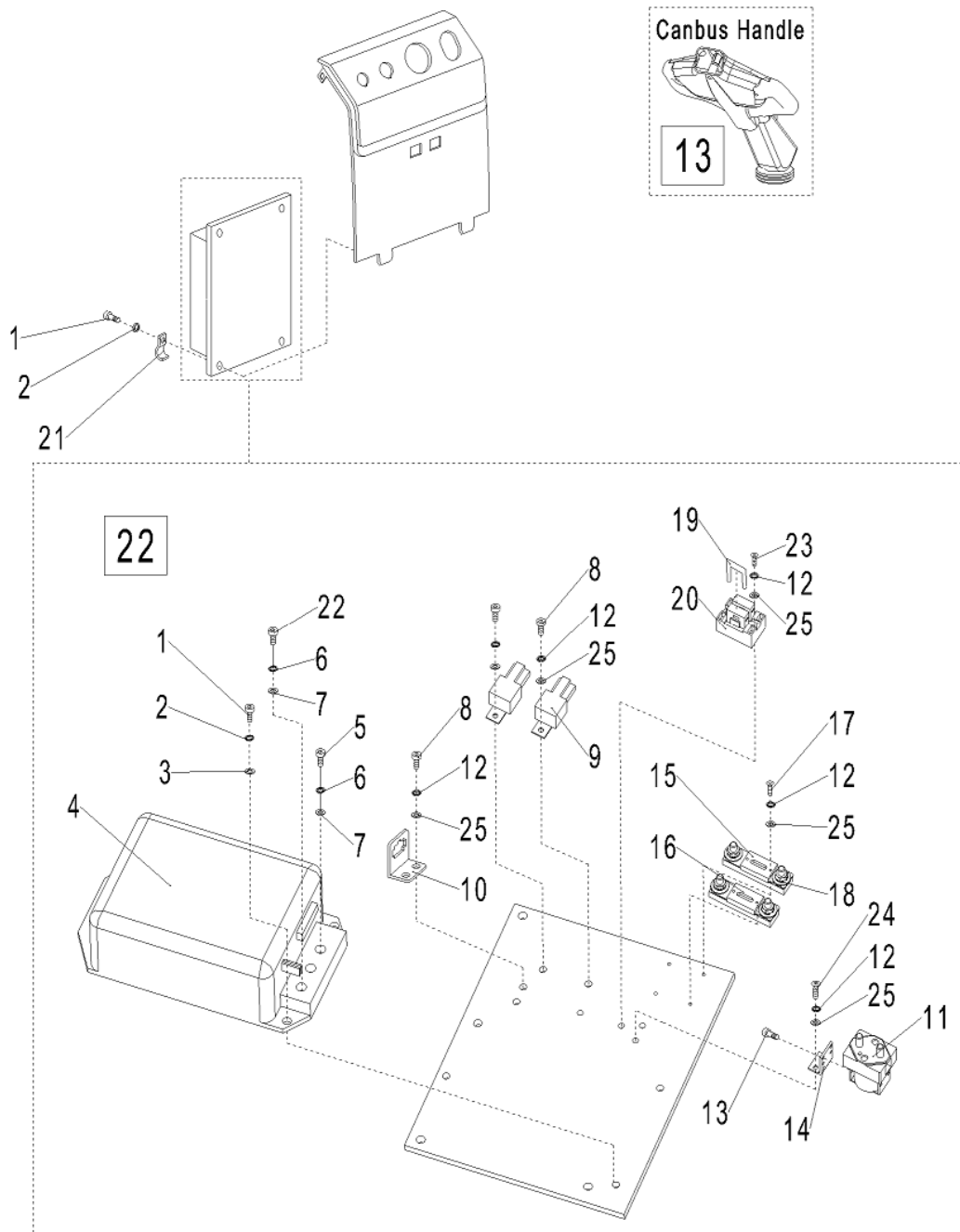


Fig. 14 Linking parts for electricity for Noblelift handle and REMA handle(LPT15DC, Built-in charger)

No.	Part Number	Item	Quantity	Remarks
1	0000023040	Screw	7	
2	0000025006	Spring washer	7	
3	0000025007	Flat washer	3	
4	1000434002	1243-4220 controller	1	
5	0000023013	Screw	1	
6	0000025004	Spring washer	3	
7	0000025005	Flat washer	3	
8	0000023023	Screw	2	
9	1000404006	Connector fixed support	1	
10	1000434006	Contactor	1	
11	0000025009	Spring washer	10	
12	0000023017	Screw	2	
13	1000404002	Contactor fixed support	1	
14	1000434020	Fuse 60A	1	
15	1010434005	Fuse 80A	1	
16	0000023018	Screw	4	
17	1000434007	Fuse seat	2	
18	1000434040	10A Fuse	1	
19	1000434009	Fuse seat	1	
20	1000403010	Wiring clip	1	
21	0000023012	Screw	2	
22	0000023019	Screw	2	
23	0000023016	Screw	2	
24	0000025008	Flat washer	10	
10	1000100011	Noblelift handle assembly (DC)	1	
11	1000100012	REMA handle assembly	1	
21	1000400024	Controller assembly(DC)	1	

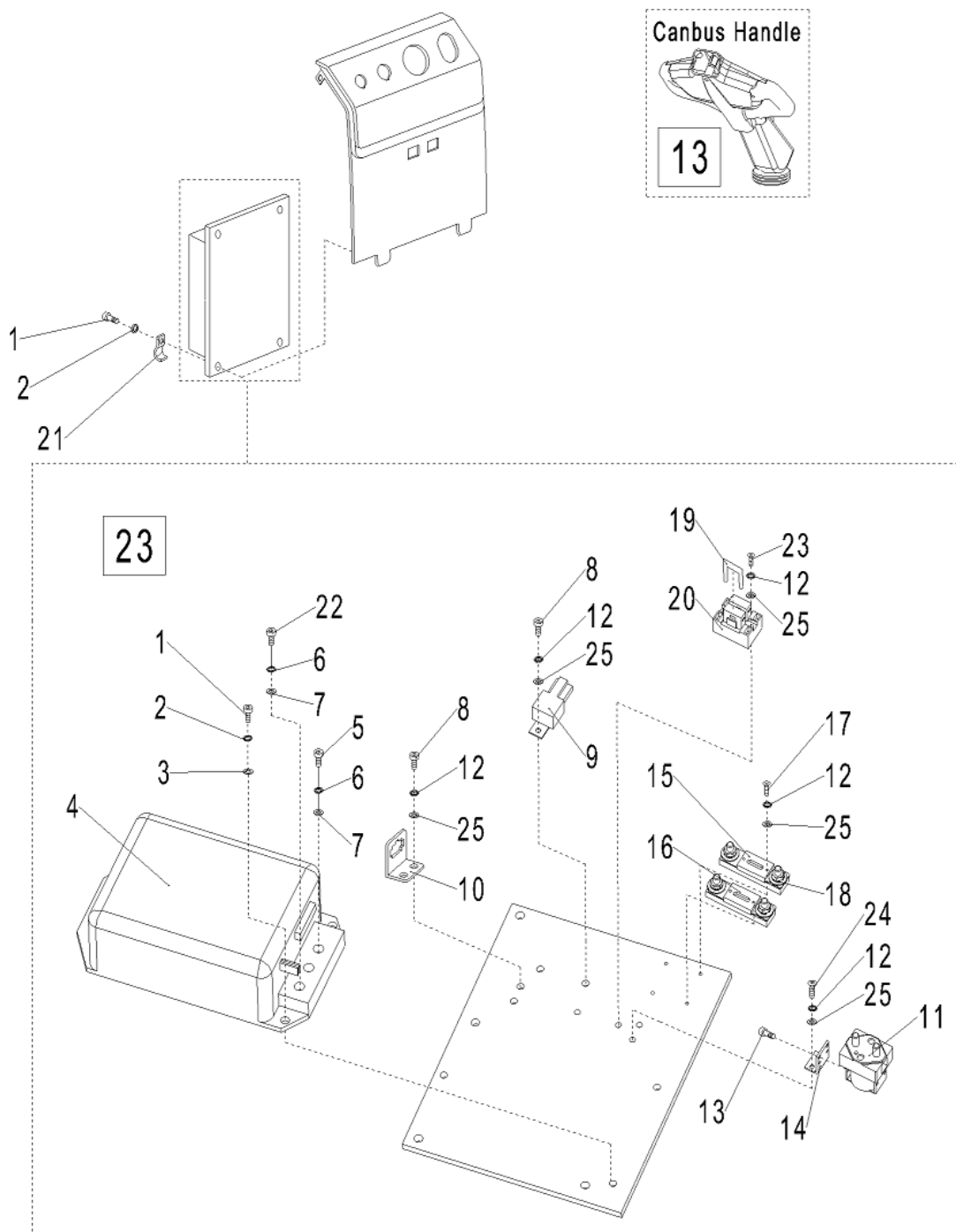
**Fig. 15 Linking parts for electricity for CANBUS handle
(LPT15DC, Built-out charger)**



**Fig. 15 Linking parts for electricity for CANBUS handle
(LPT15DC, Built-out charger)**

No.	Part Number	Item	Quantity	Remarks
1	0000023040	Screw	7	
2	0000025006	Spring washer	7	
3	0000025007	Flat washer	3	
4	1010434003	1243C-4391 controller	1	
5	0000023013	Screw	1	
6	0000025004	Spring washer	3	
7	0000025005	Flat washer	3	
8	0000023023	Screw	4	
9	1000434041	Relay DC24V	2	
10	2210402005	Connector fixed support	1	
11	1000434006	Contactor	1	
12	0000025009	Spring washer	12	
13	0000023017	Screw	2	
14	1000404002	Contactor fixed support	1	
15	1000434020	Fuse 60A	1	
16	1010434005	Fuse 80A	1	
17	0000023018	Screw	4	
18	1000434007	Fuse seat	2	
19	1000434040	10A Fuse	1	
20	1000434009	Fuse seat	1	
21	1000403010	Wiring clip	1	
22	0000023012	Screw	2	
23	0000023019	Screw	2	
24	0000023016	Screw	2	
25	0000025008	Flat washer	12	
13	1000100013	New handle assembly	1	
22	1000400025	Controller assembly(DC-C)	1	

**Fig. 16 Linking parts for electricity for CANBUS handle
(LPT15DC, Built-in charger)**



**Fig. 16 Linking parts for electricity for CANBUS handle
(LPT15DC, Built-in charger)**

No.	Part Number	Item	Quantity	Remarks
1	0000023040	Screw	7	
2	0000025006	Spring washer	7	
3	0000025007	Flat washer	3	
4	1010434003	1243C-4391 controller	1	
5	0000023013	Screw	1	
6	0000025004	Spring washer	3	
7	0000025005	Flat washer	3	
8	0000023023	Screw	3	
9	1000434041	Relay DC24V	1	
10	2210402005	Connector fixed support	1	
11	1000434006	Contactor	1	
12	0000025009	Spring washer	11	
13	0000023017	Screw	2	
14	1000404002	Contactor fixed support	1	
15	1000434020	Fuse 60A	1	
16	1010434005	Fuse 80A	1	
17	0000023018	Screw	4	
18	1000434007	Fuse seat	2	
19	1000434040	10A Fuse	1	
20	1000434009	Fuse seat	1	
21	1000403010	Wiring clip	1	
22	0000023012	Screw	2	
23	0000023019	Screw	2	
24	0000023016	Screw	2	
25	0000025008	Flat washer	11	
13	1000100013	New handle assembly	1	
23	1000400026	Controller assembly(DC-C)	1	

**Fig. 17 Linking parts for electricity for NOBLELIFT handle and
REMA handle (LPT15AC)**

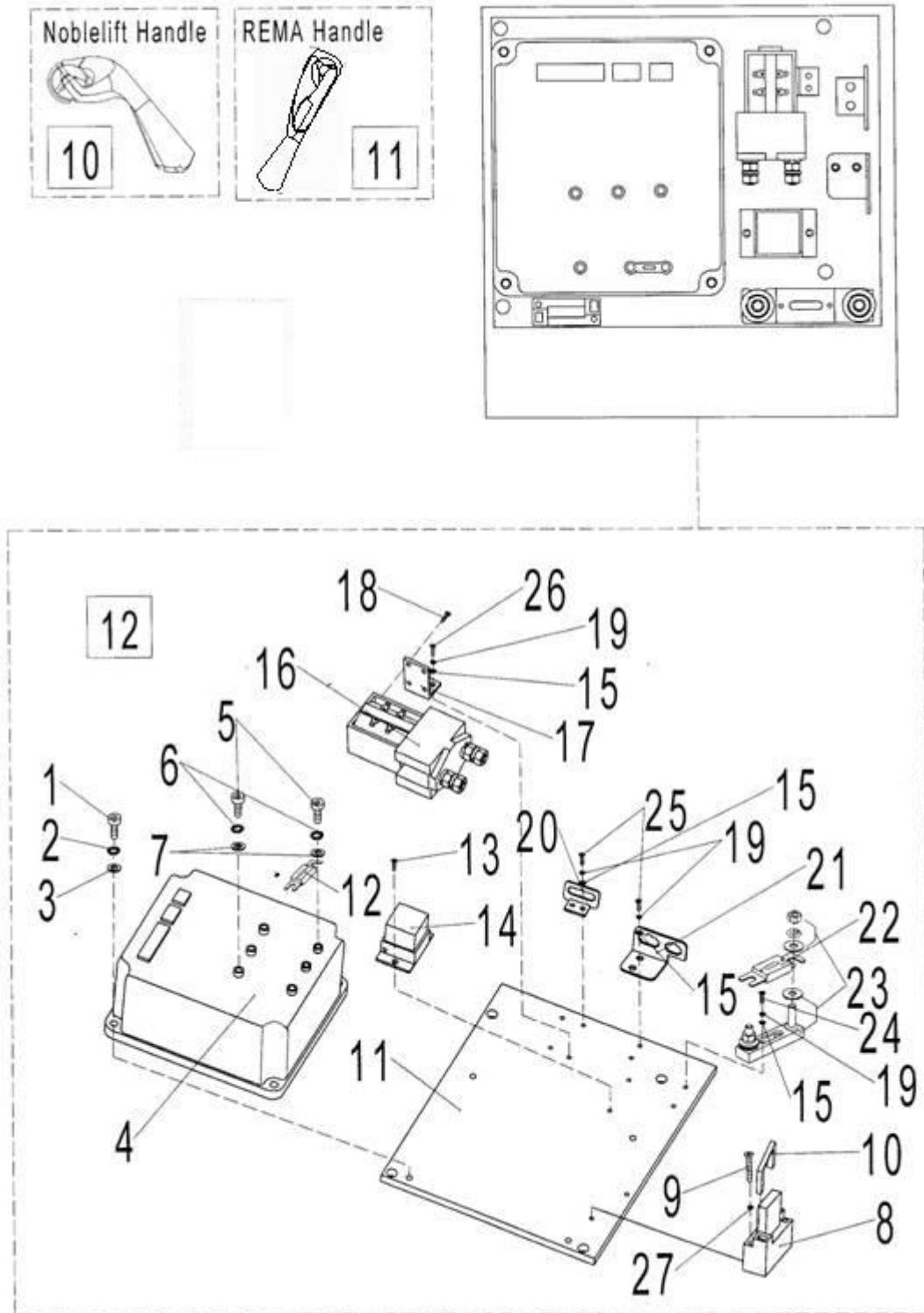
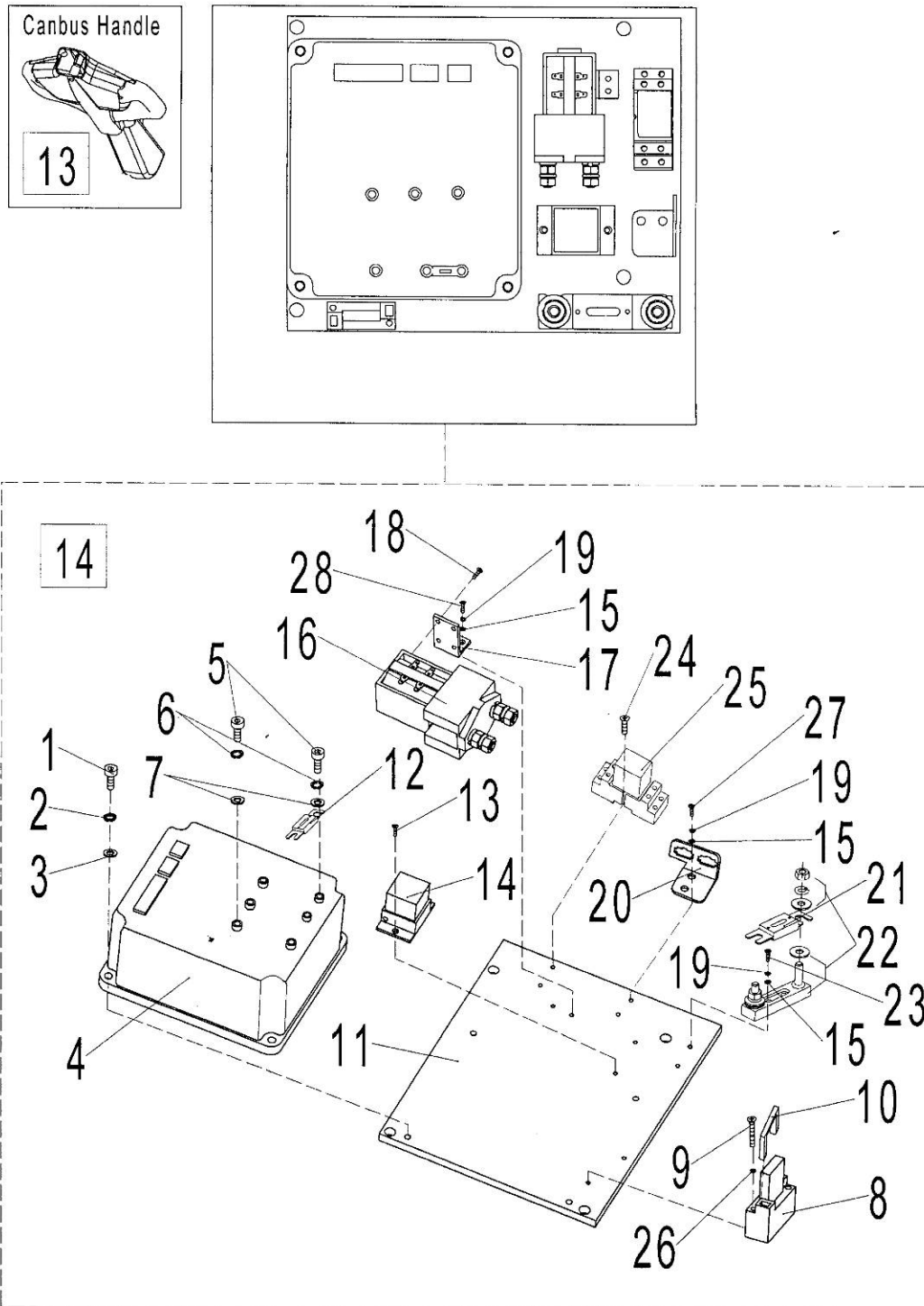


Fig. 17 Linking parts for electricity for NOBLELIFT handle and REMA handle (LPT15AC)

No.	Part Number	Item	Quantity	Remarks
1	0000023020	Screw	4	
2	0000025006	Spring washer	4	
3	0000025007	Flat washer	4	
4	1000434017	controller 1230-2402	1	
5	0000023049	Screw	6	
6	0000025012	Spring washer	6	
7	0000023032	Flat washer	6	
8	1000434021	Fuse holder	1	
9	0000023036	Screw	2	
10	1000434040	10A Fuse	1	
11	1000404021	Controller Aluminium plate	1	
12	1000434018	Fuse 150A	1	
13	0000023052	Screw	2	
14	1000434003	Protective module	1	
15	0000025008	Flat washer	8	
16	1000434006	Contactor	1	
17	1000404022	Main contactor mounting	1	
18	0000023017	Screw	2	
19	0000025009	Spring washer	8	
20	1000404006	Connector assembly	1	
21	1000404005	Connector fixed support	1	
22	1000434020	60A Fuse	1	
23	1000434007	Fuse holder	1	
24	0000023018	Screw	2	
25	0000023023	Screw	2	
26	0000023016	Screw	4	
27	0000025003	Spring washer	2	
10	1000100014	Noblelift handle assembly(AC)	1	
11	1000100012	REMA handle assembly	1	
12	1000400011	Controller assembly(AC)	1	

**Fig. 18 Linking parts for electricity for CANBUS handle
(LPT15AC)**



**Fig. 18 Linking parts for electricity for CANBUS handle
(LPT15AC)**

No.	Part Number	Item	Quantity	Remarks
1	0000023020	Screw	4	
2	0000025006	Spring washer	4	
3	0000025007	Flat washer	4	
4	1000434022	Controller 1230-2405	1	
5	0000023049	Screw	6	
6	0000025012	Spring washer	6	
7	0000023032	Flat washer	6	
8	1000434021	Fuse holder	1	
9	0000023036	Screw	2	
10	1000434040	10A Fuse	1	
11	1000404021	Controller Aluminium plate	1	
12	1000434018	Fuse 150A	1	
13	0000023052	Screw	2	
14	1000434003	Protective module	1	
15	0000025008	Flat washer	8	
16	1000434006	Contactor	1	
17	1000404022	Main contactor mounting	1	
18	0000023017	Screw	2	
19	0000025009	Spring washer	6	
20	1000404005	Connector assembly	1	
21	1000434020	60A Fuse	1	
22	1000434007	Fuse holder	1	
23	0000023018	Screw	2	
24	0000023054	Screw	2	
25	1000434014	Relay	1	
26	0000025003	Spring washer	2	
27	0000023023	Screw	2	
28	0000023016	Screw	4	
13	1000100013	New handle assembly	1	
14	1000400012	Controller assembly (AC-C)	1	

Fig. 19 Spare parts for Pump

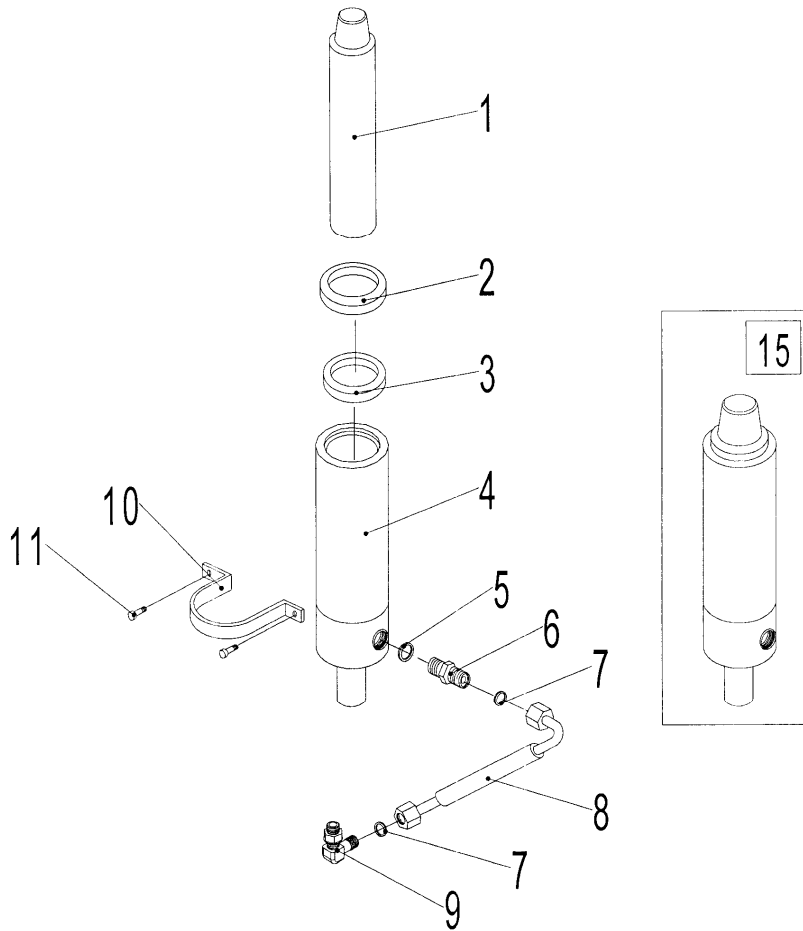


Fig. 19 Spare parts for Pump

No.	Part Number	Item	Quantity	Remarks
1	1000300003	Piston rod	1	
2	0000022004	Dust ring	1	
3	0000022003	Seal ring for shaft	1	
4	1000300004	Pump body	1	
5	0000022005	Seal washer	1	
6	1000317002	Joint	1	
7	0000022002	O-ring	2	
8	1000317001	High pressure oil tube	1	
9	0000017001	Straight rotation joint	1	
10	1000302001	Pump hoop	1	
11	0000023042	Screw	2	
15	1000300005	Pump assembly	1	

Fig. 20 Spare parts for Pump station

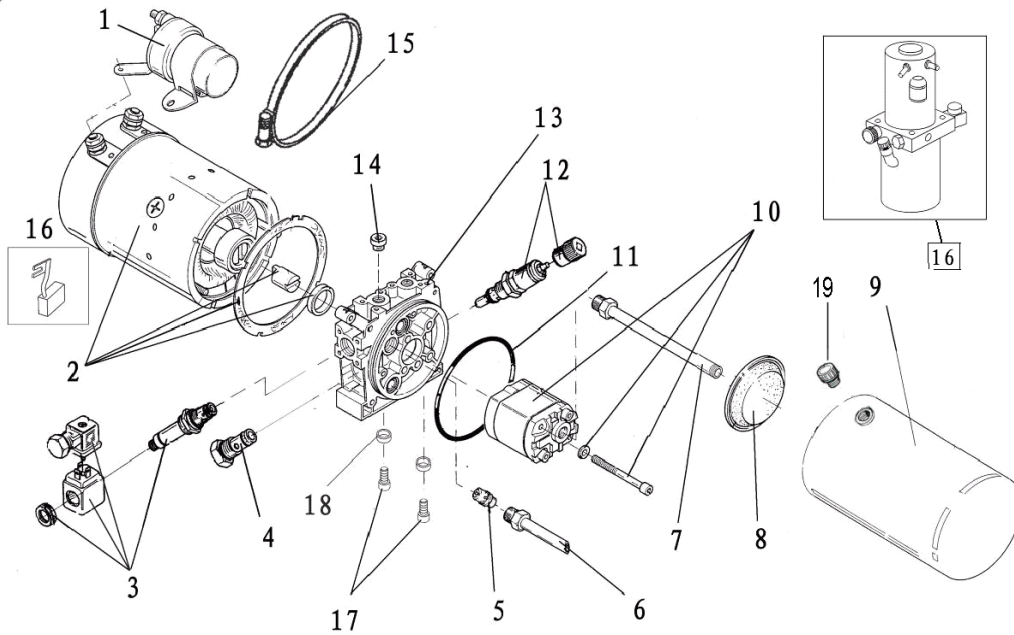


Fig. 20 Spare parts for Pump station

No.	Part Number	Item	Quantity	Remarks
1	1000334001	Starter relay	1	
2	1000334002	Motor	1	
3	1000334003	Solenoid valve	1	
4	1000337001	Check valve	1	
5	1000337003	Flow control valve	1	
6	1000317003	Oil return tube	1	
7	1000317004	Oil suction tube	1	
8	1000337002	Filter screen	1	
9	1000305001	Oil tank	1	
10	1000337004	Gear pump	1	
11	0000022006	O-ring	1	
12	1000337005	Overflow valve	1	
13	1000315001	Valve body	1	
14	1000337006	Screw plug	1	
15	1000304001	Hoop	1	
16	1000334004	Carbon brush	1	
17	0000023038	Bolt	2	
18	1000302002	Washer	2	
19	1000337007	Oil filter	1	
16	1000300001	Pump station assembly	1	

Fig. 21 Spare parts for Noblelift handle

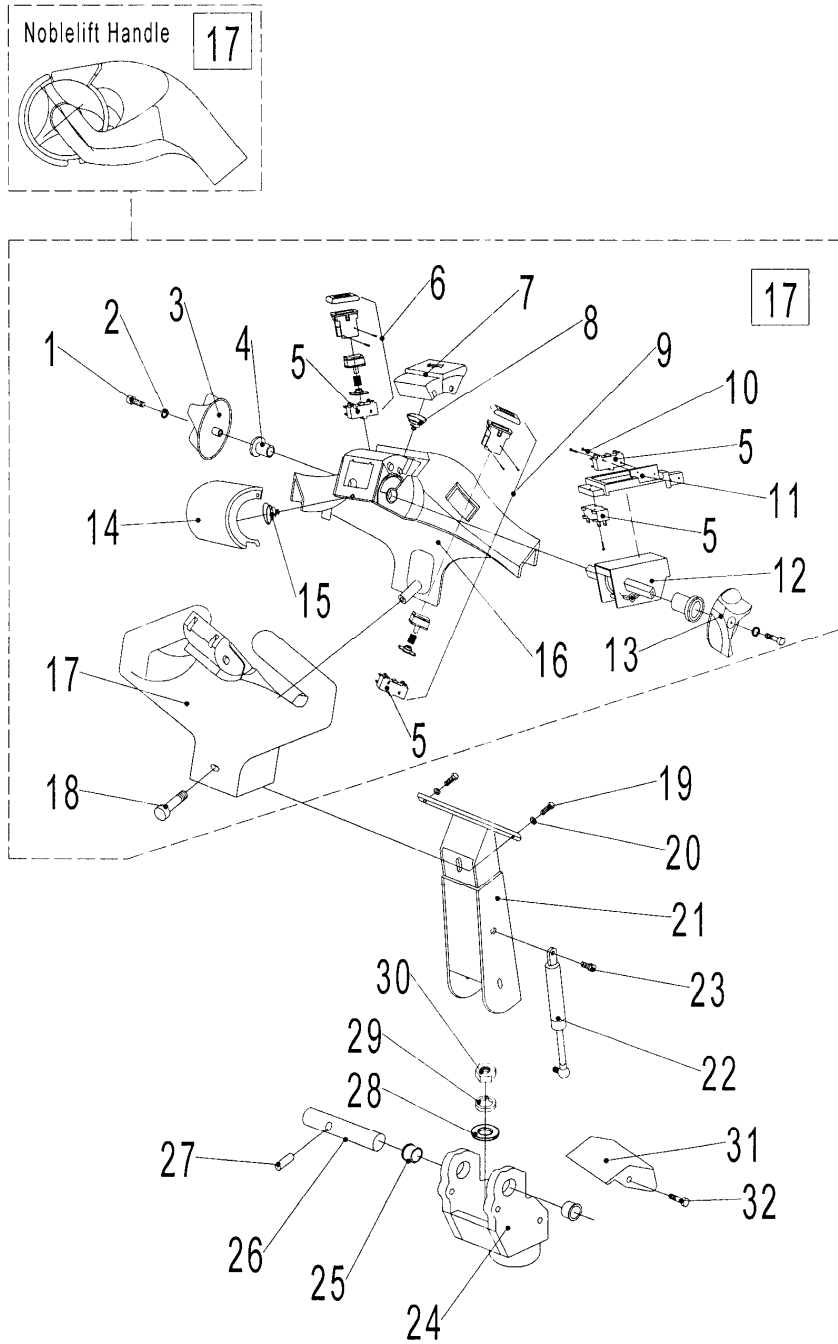


Fig.21 Spare parts for Noblelift handle

No.	Part Number	Item	Quant	Remarks
1	0000023008	Screw	2	
2	0000025003	Spring washer	2	
3	1000114004	Left driving knob	1	
4	1000113002	Shaft sleeve	2	
5	1000134002	Micro-switch	4	
6	1000100015	Lifting button assembly	1	
7	1000114001	Horn button	1	
8	1000131001	Horn button spring	1	
9	1000100016	Lifting button assembly	1	
10	0000023009	Screw	8	
11	1000103004	Layer board	1	
12	1000134003	Accelerator	1	
13	1000114003	Right driving knob	1	
14	1000114002	Emergency stop button	1	
15	1000131002	Emergency stop button spring	1	
16	1000103001	Upper part of handle	1	
17	1000103003	Handle body	1	
18	0000023053	Screw	3	
19	0000023046	Bolt	2	
20	0000025001	Spring washer	2	
21	1000101002	Handle bar assembly	1	
22	1000121001	Air spring	1	
23	1000123001	Screw	1	
24	1010105001	Handle seat	1	
25	1000113001	Shoulder harness	2	
26	1000107001	Shaft for handle	1	
27	0000028003	Elastic pin	1	
28	0000025002	Flat washer	2	
29	0000023006	Spring washer	2	
30	0000023005	Locking nut	2	
31	1000104001	Cover	1	
32	0000023045	Screw	2	
	1000100008	Noblelift handle assembly	1	

Fig. 22 Spare parts for REMA handle

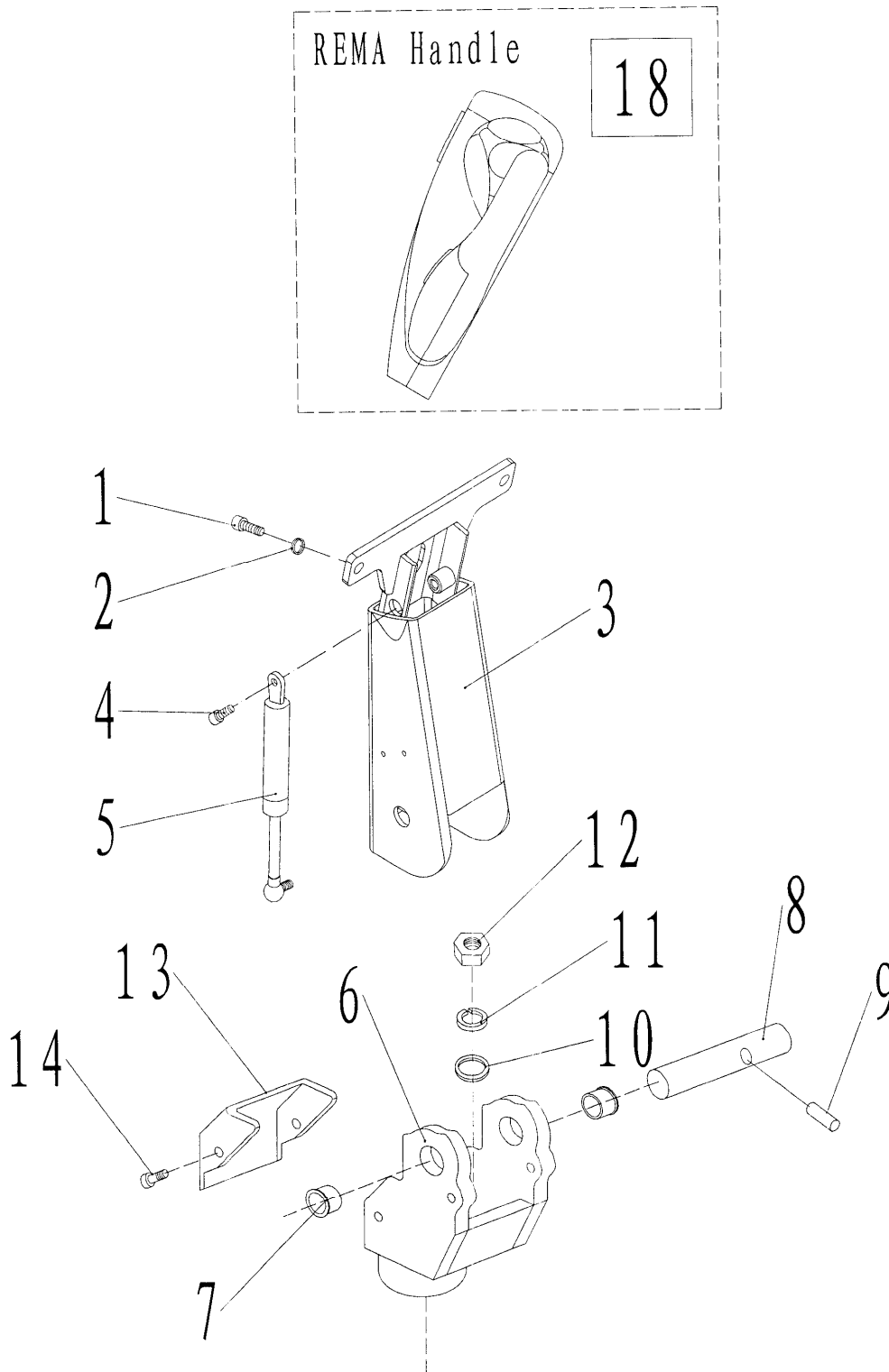


Fig. 22 Spare parts for REMA handle

No.	Part Number	Item	Quantity	Remarks
1	0000023046	Bolt	2	
2	0000025001	Spring washer	2	
3	1000101003	Handle bar assembly	1	
4	1000123002	Screw	1	
5	1000121001	Air spring	1	
6	1010105001	Handle seat	1	
7	1000113001	Shoulder harness	2	
8	1000107001	Handle shaft	1	
9	0000028003	Elastic pin	1	
10	0000025002	Flat washer	2	
11	0000023006	Spring washer	2	
12	0000023005	Locking nut	2	
13	1000104001	Cover	1	
14	0000023045	Screw	2	
18	1000100010	REMA handle seat	1	

Fig. 23 Spare parts for REMA handle

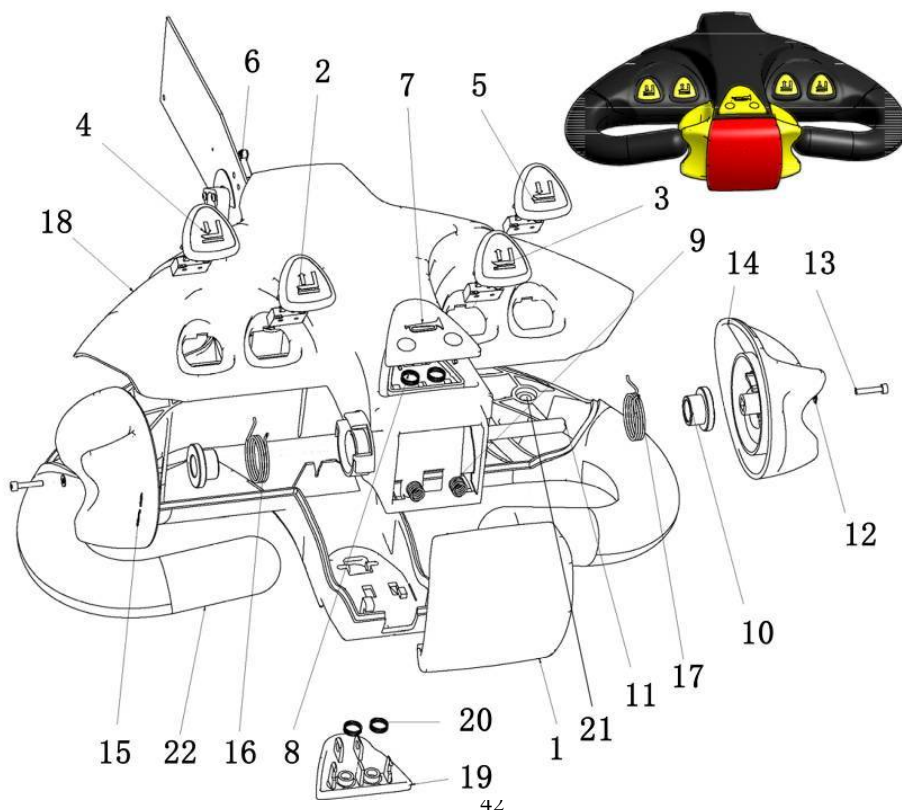


Fig. 23 Spare parts for REMA handle

No.	Part Number	Item	Quantity	Remarks
1	1000114019	Cover for emergency button	1	
2	1000114007	Lifting switch assembly (with 2 cores plug-in board)	1	
3	1000114006	Lifting switch assembly (with 4 cores plug-in board)	1	
4	1000114008	Lowering switch assembly(with 2 cores plug-in board)	1	
5	1000114009	Lowering switch assembly(with 4 cores plug-in board)	1	
6	1000134004	REMA circuit board	1	
7	1000114010	Cover for horn	1	
8	1000131004	Horn spring	2	
9	1000131005	Emergency switch spring	2	
10	1000113003	Pin bushing	2	
11	1000128001	Handle Pin	1	
12	0000025017	Flat washer	2	
13	0000023057	Screw	2	
14	1000114011	Right butterfly knob	1	
15	1000114012	Left butterfly knob	1	
16	1000131006	Left hinge joint spring	1	
17	1000131007	Right hinge joint spring	1	
18	1000103010	Upper cover	1	
19	1000114013	Cover for slow drive switch	1	
20	1000131008	Spring	2	
21	0000023058	Screw	3	
22	1000103011	Down cover	1	

Fig. 24 Spare parts for CAN-BUS handle

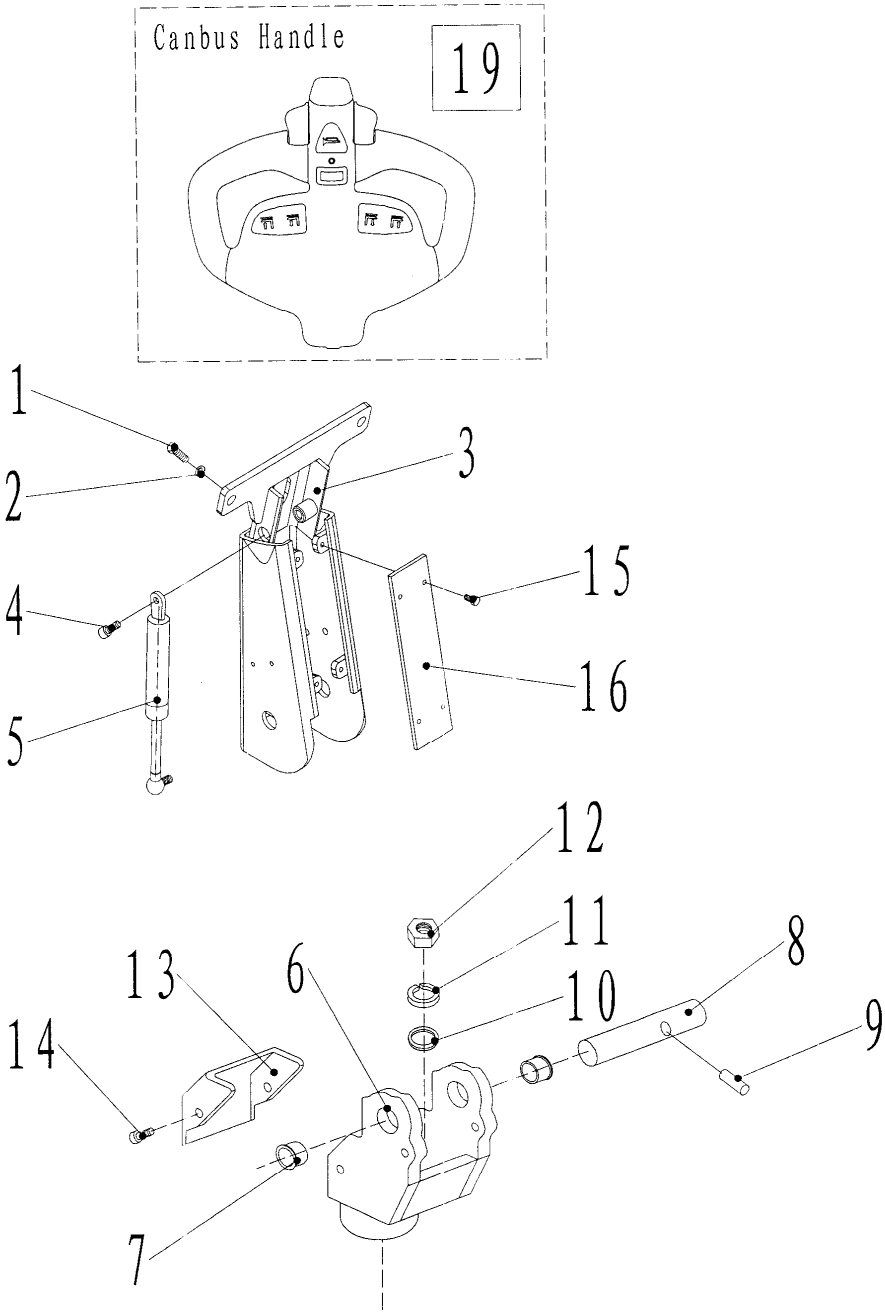


Fig. 24 Spare parts for CAN-BUS handle

No.	Part Number	Item	Quantity	Remarks
1	0000023047	Screw	2	
2	0000025001	Spring washer	2	
3	1000101004	Handle lever	1	
4	1000123001	Screw	1	
5	1000121001	Air spring	1	
6	1010105001	Handle seat	1	
7	1000113001	Shoulder harness	2	
8	1000107001	Handle shaft	1	
9	0000028003	Elastic pin	1	
10	0000025002	Flat washer	2	
11	0000023006	Spring washer	2	
12	0000023005	Locking nut	2	
13	1000104001	Cover	1	
14	0000023045	Screw	2	
15	1000123003	Screw	4	
16	1000104013	Cover plate	1	
19	1000100009	New handle knob assembly	1	

Fig. 25 Spare parts for CANBUS Hand Knob for CAN-BUS

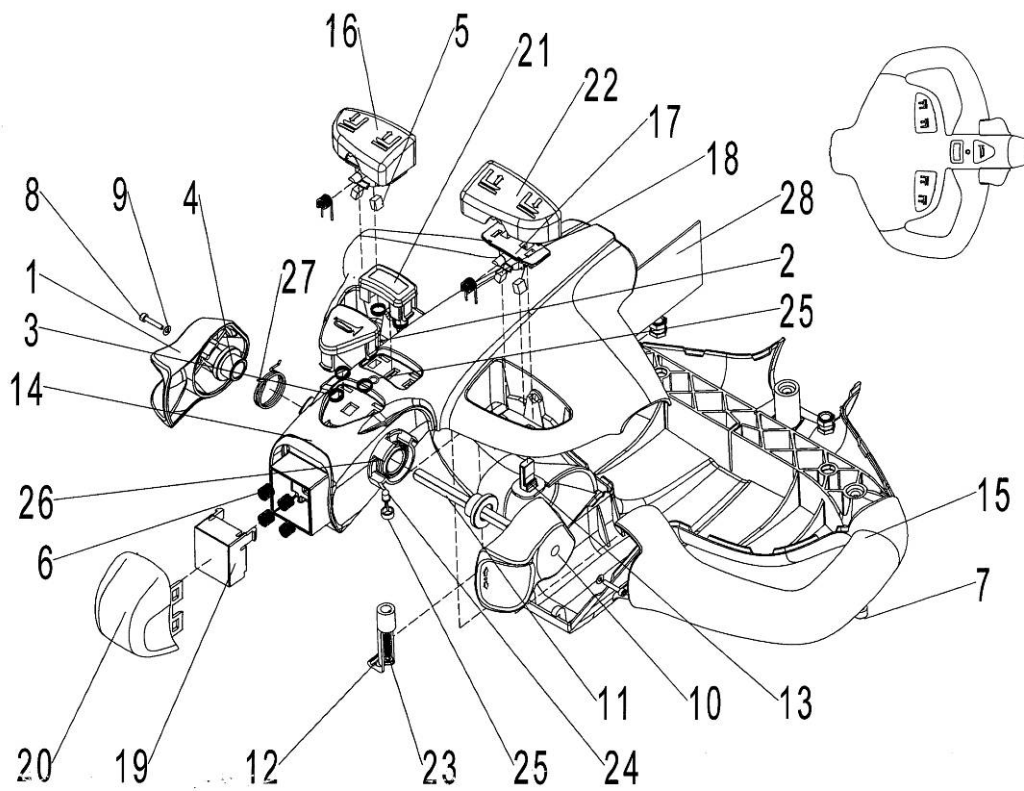


Fig. 25 Spare parts for CANBUS Hand Knob for CAN-BUS

No.	Part Number	Item	Quantity	Remarks
1	1000114014	Left drive knob	1	
2	1000114015	Horn button	1	
3	1000131009	Horn button spring	5	
4	1000113004	Camshaft bush	2	
5	1000137001	Magnetic body	4	
6	1000131010	Emergency changeover	4	
7	0000023058	Screw	3	
8	0000023057	Screw	2	
9	0000025017	Flat washer	2	
10	1000114016	Right drive knob	1	
11	1000107002	Shaft for Right drive knob	1	
12	1000137002	PCB clip	1	
13	1000134005	Sensor	2	
14	1000103012	Upper part of handle	1	
15	1000103013	Lower part of handle	1	
16	1000114017	Left button	1	
17	1000137003	Fixed seat for Magnetic	2	
18	1000131011	torsional spring	2	
19	1000114018	Emergency changeover	1	
20	1000114020	External cover for emergency changeover	1	
21	1000114021	External cover for elector switch	1	
22	1000114022	Right button	1	
23	0000023060	Screw	1	
24	1000134006	LED bi-colour light	1	
25	1000103014	LED bi-colour light socket	1	
26	1000131012	Right driving knob torsion	1	
27	1000131013	Left driving knob torsion	1	
28	1000134007	PCB	1	

Fig. 26 Spare parts for driving wheel

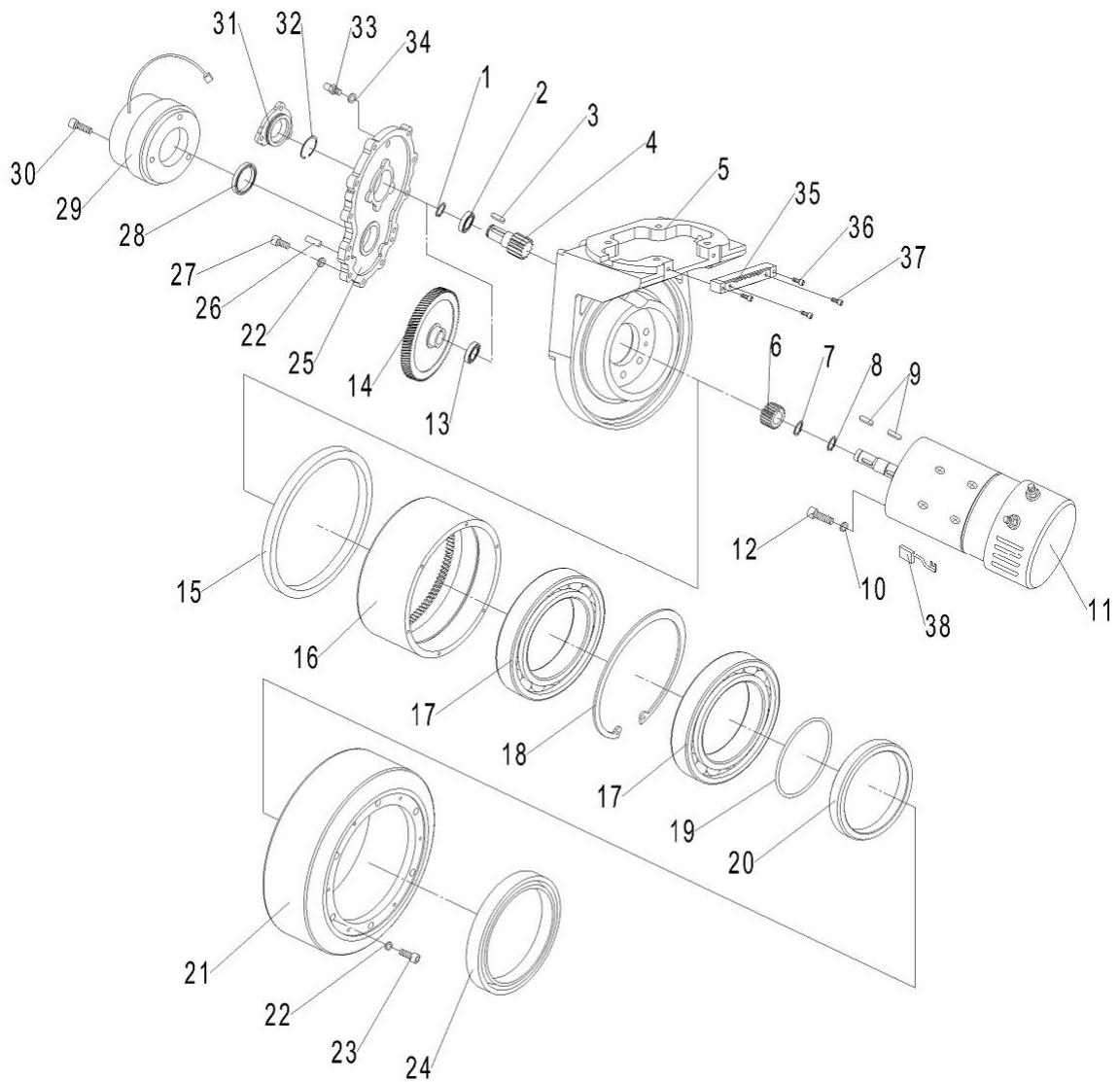


Fig. 26 Spare parts for driving wheel

No.	Part Number	Item	Quantity	Remarks
1	0000026003	Retaining ring	1	
2	0000027001	Bearing	1	
3	0000036001	Flat pin	1	
4	1000207002	Gear shaft	1	
5	1000205003	Reduction gearbox body	1	
6	1000209001	Small gear	1	
7	0000026004	Retaining ring	1	
8	0000026005	Retaining ring	1	
9	0000036002	Flat pin	2	

10	0000025020	Washer	5	
11	1000234001	DC motor	1	
11	1000234002	AC motor	1	
12	0000023061	Screw	5	
13	0000027009	Bearing	1	
14	1000209002	Big gear	1	
15	0000022007	Framework oil seal	1	
16	1000210001	annular gear	1	
17	0000027010	Bearing	2	
18	0000026006	Retaining ring	1	
19	0000022008	O-ring	1	
20	1000222001	Oil seal seat	1	
21	1000216001	Wheel	1	
22	0000025006	Elastic washer	21	
23	0000023062	Screw	10	
24	0000022009	Framework oil seal	1	
25	1000205004	Cover for the gear box	1	
26	0000028008	Cylindrical pin	2	
27	0000023063	Screw	11	
28	0000022232	Framework oil seal	1	
29	1000234003	Electromagnetic brake	1	
30	0000023064	Screw	6	
31	1000205005	Cover	1	
32	0000026007	Retaining ring	1	
33	1000237001	air plug	1	
34	0000025021	Seal washer	1	
35	1000237002	Wiring fixed plate	1	
36	0000023065	Screw	2	
37	0000023066	Screw	2	
38	1010237001	brush assembly	1	For DC motor

Fig. 27 Spare parts for back-rest

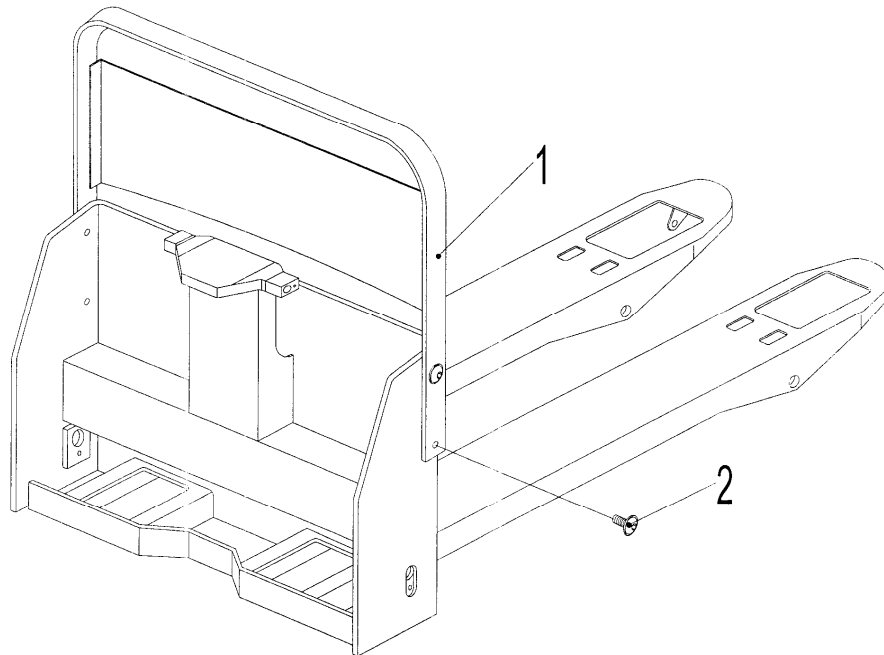


Fig. 27 Spare parts for back-rest

No.	Part Number	Item	Quantity	Remarks
1	1000501012	Back rest	1	
2	1000423001	Screw with washer	4	

Fig. 28 LPT15 wiring harness

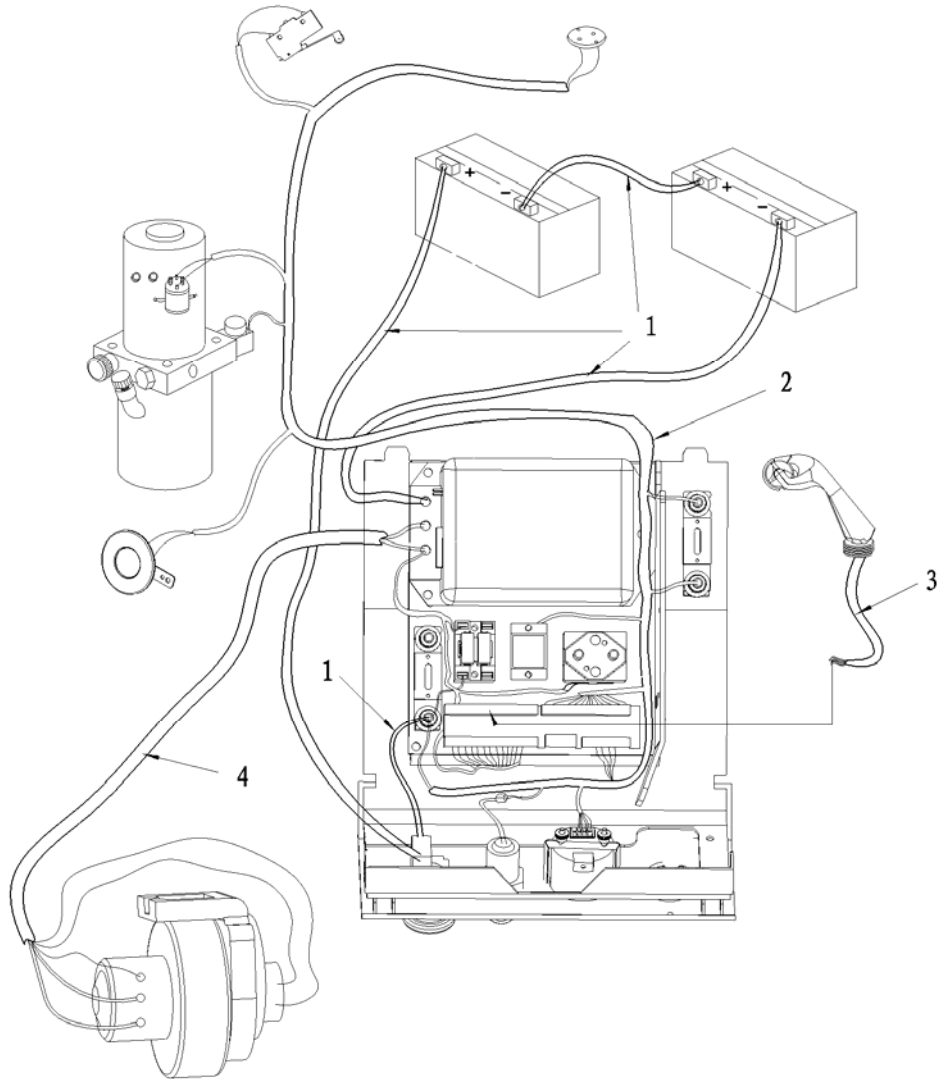


Fig. 28 LPT15 wiring harness

Name	1	2	3	4
No.	Power harness for battery	Control harness	Handle harness	Driving wheel harness
a	1000433029	1000433030	1000433036	1000433039
b	1000433029	1000433031	1000433036	1000433039
c	1000433029	1000433032	1000433037	1000433039
d	1000433029	1000433033	1000433037	1000433039
e	1000433029	1000433034	1000433038	1000433039
f	1000433029	1000433035	1000433038	1000433039
g	1000433018	1000433019	1000433025	1000433028
h	1000433018	1000433020	1000433025	1000433028
i	1000433018	1000433021	1000433026	1000433028
j	1000433018	1000433022	1000433026	1000433028
k	1000433018	1000433023	1000433027	1000433028
l	1000433018	1000433024	1000433027	1000433028

Remarks:

- a: Chinese handle (DC)、Curtis1243-4220、built-in charger
- b: Chinese handle(DC)、Curtis1243-4220、built-out charger
- c: Canbus handle、Curtis1243C-4391、built-in charger
- d: Canbus handle、Curtis1243C-4391、built-out charger
- e: standard REMA handle、Curtis1243-4220、built-in charger
- f: standard REMA handle、Curtis1243-4220、built-out charger
- g: Chinese handle (AC)、Curtis1230-2402、built-in charger
- h: Chinese handle (AC)、Curtis1230-2402、built-out charger
- i: Canbus handle、Curtis1230C-2405、built-in charger
- j: Canbus handle、Curtis1230C-2405、built-out charger
- k: standard REMA handle、Curtis1230-2402、built-in charger
- l: standard REMA handle、Curtis1230-2402、built-out charger
- a- F for LPT15DC, g-1 for LPT15AC

**Manufacturer maintains the rights of modifying this manual
without notice!**